

**100%** Money Back  
**Guarantee**

**Vendor:** OMG

**Exam Code:** UM0-100

**Exam Name:** Omg-Certified uml professional  
fundamental exam

**Version:** Demo

---

**QUESTION 1:**

What does an association specify?

- A. links between associated types
- B. relationship among models
- C. tuples that are not links
- D. links between instances of untyped classes
- E. links between instances of associated types

Answer: E

---

**QUESTION 2:**

What is true of an interaction?

- A. An interaction always contains states and transitions.
- B. An interaction can be used as types for ports.
- C. An interaction is defined by a use case.
- D. The semantics of an interaction are defined by event traces.

Answer: D

---

**QUESTION 3:**

What can be captured by use cases? (Choose two)

- A. changes in state over time of the system
- B. data and control flow of the system
- C. user-interface specification of the system
- D. requirements of the system
- E. behaviors offered by the system

Answer: D,E

---

**QUESTION 4:**

What does the symbol in the exhibit represent in UML 2.0 activity diagrams?

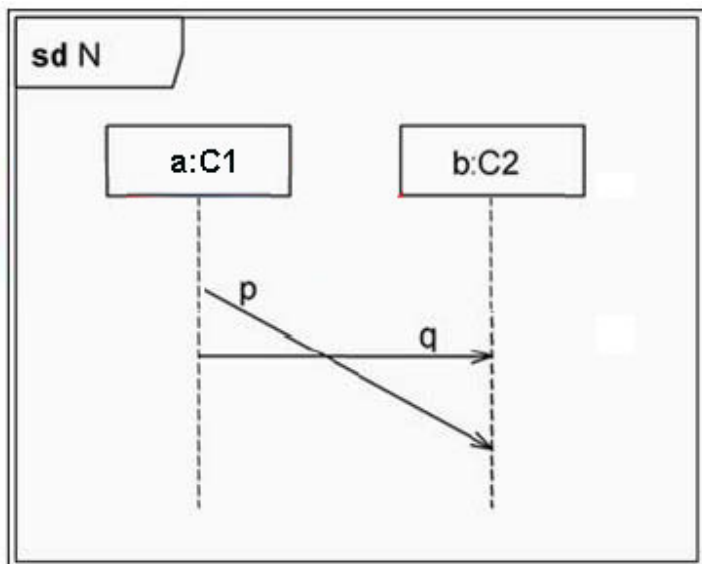


- A. control node
- B. behavior
- C. state
- D. object node
- E. activity
- F. action

Answer: D

**QUESTION 5:**

Let us denote sending of p as !p and receiving p as ?p. Which trace defines the interaction N in the exhibit?



- A. <!q, !p, ?p, ?q>
- B. <!p, ?p, !q, ?q>
- C. <!p, !q, ?q, ?p>
- D. <!p, ?q, !q, ?p>

Answer: C

**QUESTION 6:**

What constraint applies to a stop in a UML interaction diagram?

- A. No other event occurrences may appear below a stop on a given lifeline in a simple interaction.

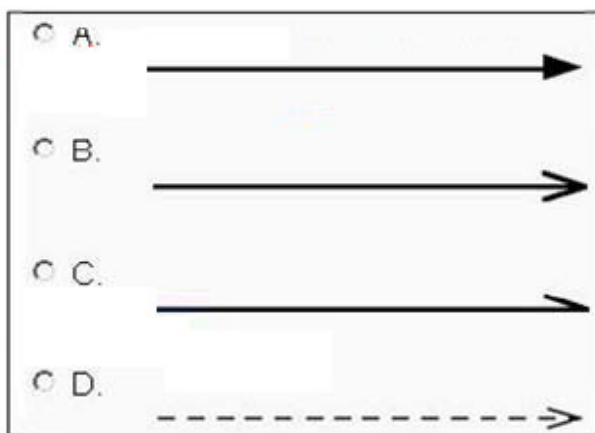
- B. If there is a stop on one lifeline, there should be stops on all other lifelines within an interaction.
- C. Only one stop may occur in one interaction.
- D. If one lifeline has a stop in one interaction, it should have stops in every interaction that it appears.

Answer: A

---

### QUESTION 7:

Which arrowhead shows that the message represents an operation call, rather than a signal, in UML 2.0?



- A. A
- B. B
- C. C
- D. D

Answer: A

---

### QUESTION 8:

When a customer uses a service to order books, the service contacts a commercial credit card validation service, an address verification service, and an internal client database. Assuming the Order Books process is modeled as one use case at the system level, which actors would there be?

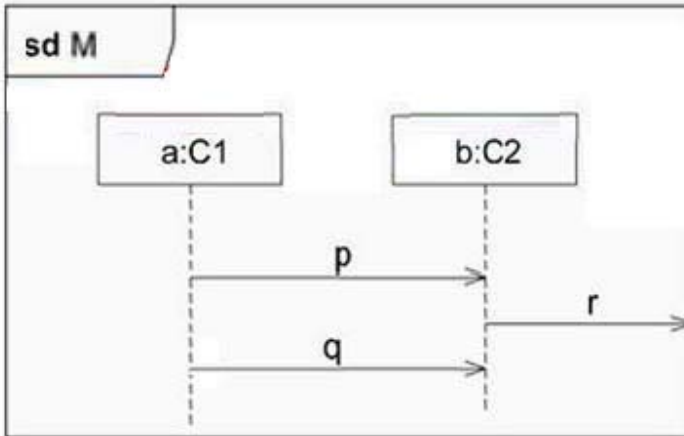
- A. Customer, Client Database
- B. Customer, Credit Card Validation Service, Address Verification Service, Client Database
- C. Customer, Credit Card Validation Service
- D. Customer
- E. Customer, Credit Card Validation Service, Address Verification Service

Answer: E

---

**QUESTION 9:**

Which element in the exhibit denote a lifeline?



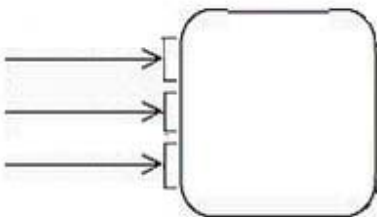
- A. b:C2
- B. C1
- C. q
- D. p
- E. M

Answer: A

---

**QUESTION 10:**

How many of the arrows in the exhibit must provide values before the round-cornered rectangle can start?



- A. one
- B. two
- C. three
- D. none

Answer: C

---

**QUESTION 11:**

Ten employees in a department can submit an expense form to have their expenses repaid. The manager is required to approve the expense forms. How many actors have we described?

- A. 2 actors
- B. 10 actors
- C. 0 actors
- D. 12 actors
- E. 1 actor
- F. 11 actors

Answer: A

---

**QUESTION 12:**

What is a selector of a lifeline?

- A. a specific lifeline that selects a resource from a resource pool
- B. a scheduler that chooses the next lifeline on which to run
- C. an expression selecting one out of a set; a general indexing mechanism
- D. a construct to select one lifeline out of all the lifelines in the diagram

Answer: C

---

**QUESTION 13:**

What does the symbol in the exhibit represent inside UML 2.0 activity diagrams?



- A. behavior
- B. state
- C. action
- D. activity
- E. object node

Answer: C

---

**QUESTION 14:**

What is true about every named element that is a member of a namespace?

- A. It can be distinguished from other members in the namespace.
- B. It is identified by its name within the namespace.
- C. It is owned by the namespace.
- D. It has one unique name within the namespace.

Answer: A

---

**QUESTION 15:**

What are some of the important semantics of packages? (Choose three) A.

- The public contents of a package are accessible outside the package.
- B. If a package is removed from a model, the owned contents are removed.
- C. If a package is removed from a model, the owned contents are reassigned.
- D. An element may be owned by at most one package.
- E. The public contents of a package are not accessible outside the package.
- F. A class may be owned by multiple packages.

Answer: A,B,D

---

**QUESTION 16:**

What is true about constraints in UML 2.0? (Choose two)

- A. can be applied to themselves
- B. cannot be named
- C. must be true to be satisfied
- D. can result in any number of possibilities
- E. can be named

Answer: C,E

---

**QUESTION 17:**

What about event order is true for simple interactions? (Choose two)

- A. Events are ordered from top to bottom of a lifeline in a simple sequence diagram.
- B. Events are ordered from top to bottom in a sequence diagram.
- C. The start event of an execution occurrence will coincide in time with the event representing the call of that operation.
- D. The send event of a complete message comes before the receive event of the same

message.

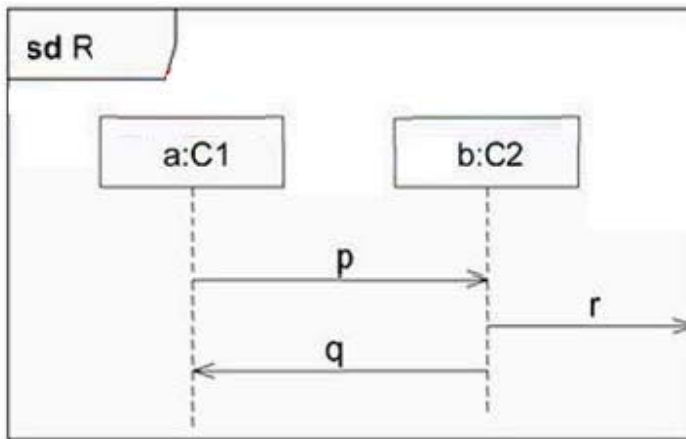
E. When messages represent operation calls, their sending and receiving events coincide in time.

Answer: A,D

---

**QUESTION 18:**

There is an element identified as r in the exhibit. What does this element describe in a UML 2.0 interaction diagram?



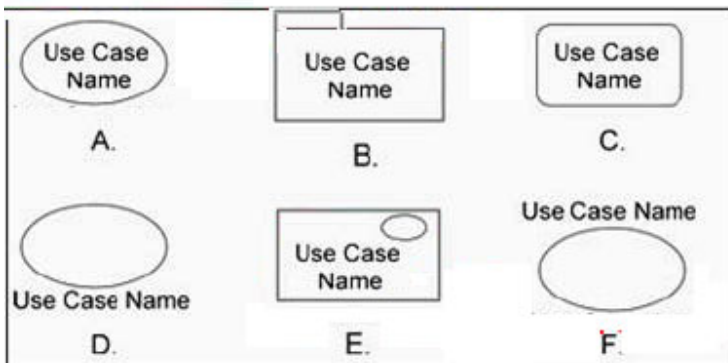
- A. found message, found by b
- B. lost message originating from b
- C. timing signal from b
- D. synchronous message to the environment of R
- E. asynchronous message to the environment of R

Answer: E

---

**QUESTION 19:**

What shapes normally represent a use case? (Choose three)





- A. A
- B. B
- C. C
- D. D
- E. E
- F. F

Answer: A,D,E

---

**QUESTION 20:**

What statements are true about interfaces? (Choose two)

- A. A classifier may realize only one interface, but an interface may be realized by multiple classifiers.
- B. A classifier may realize more than one interface, but an interface may be realized by only one classifier.
- C. Interfaces are not directly instantiable.
- D. A classifier may realize more than one interface, and an interface may be realized by different classifiers.
- E. Interfaces are directly instantiable.

Answer: C,D

---

**QUESTION 21:**

What statements are true of the <<permit>> dependency in the exhibit? (Choose two)



- A. X can access only the quux property of W.
- B. X can access the baz and quux properties of W.
- C. W can access the foo and bar properties of X.
- D. W can access only the bar property of X.
- E. X can access only the baz property of W.
- F. W can access only the foo property of X.

Answer: B,D

---

**QUESTION 22:**

Which kind of behavior diagram is NOT a UML 2.0 diagram?

- A. communication diagram
- B. activity diagram
- C. dataflow diagram
- D. interaction diagram
- E. sequence diagram

Answer: C

---

### QUESTION 23:

Which multiplicity expressions are valid? (Choose three)

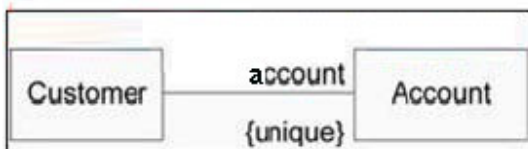
- A. 1
- B. -3..3
- C. 0,,\*
- D. 1..0
- E. 2..20
- F. \*

Answer: A,E,F

---

### QUESTION 24:

In the exhibit, what is the meaning of the {unique} designator?



- A. instances of Account are unique
- B. each customer's account is not an account of another customer
- C. each of the customer's accounts are distinct
- D. only one account is associated with a customer
- E. multiplicity cannot be multivalued

Answer: C

---

### QUESTION 25:

Which statement is true of signals? (Choose two)

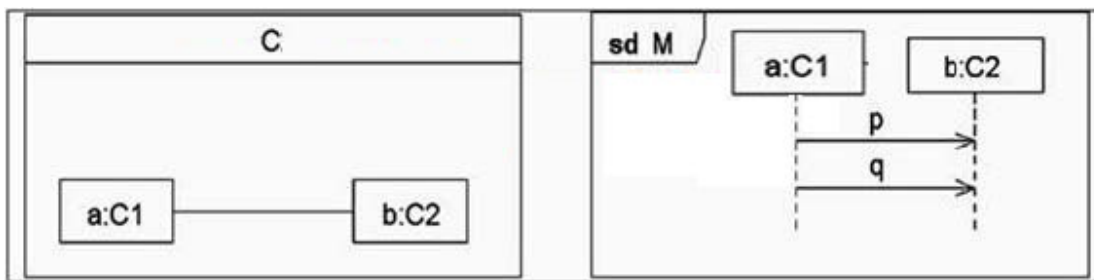
- A. are handled in a manner determined by the sender
- B. are handled in a manner determined by the stimulus

- C. are handled in a manner determined by the receiver
- D. are synchronous stimuli
- E. are asynchronous stimuli

Answer: C,E

**QUESTION 26:**

What is true concerning the UML model depicted in the exhibit?



- A. The communication diagram on the left forms the base for the sequence diagram on the right.
- B. M is not a behavior of C since p and q are not defined within C.
- C. If M is a behavior in C, then a in C is the property represented by lifeline a in M.
- D. a and b are lifelines within C, as well as being the same entities as those referenced in M.

Answer: C

**QUESTION 27:**

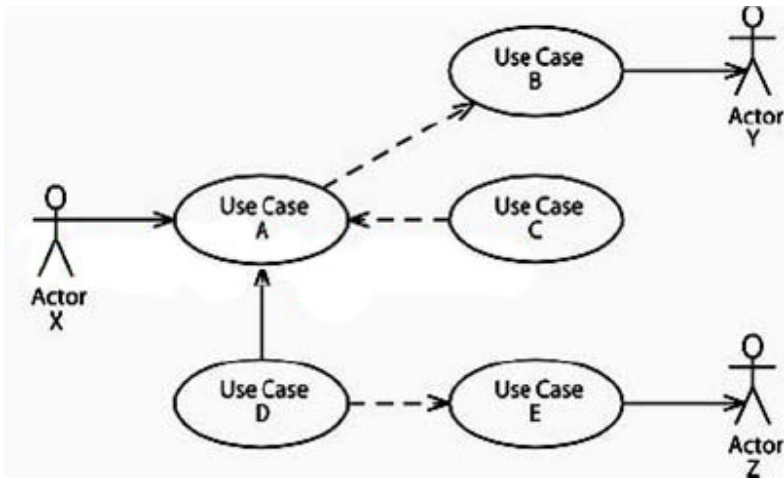
What do the initials UML stand for?

- A. Unified Methodology Language
- B. Unified Modeling Language
- C. UML Modeling Language
- D. Unified Method Language
- E. Universal Modeling Language

Answer: B

**QUESTION 28:**

In the exhibit, which relationship may have extension points attached to it?



- A. between Use Case B and Actor Y
- B. between Use Case E and Actor Z
- C. between Use Case A and Use Case D
- D. between Use Case C and Use Case A
- E. between Use Case A and Actor X

Answer: D

### QUESTION 29:

What is meant when a lifeline is named by the keyword self?

- A. may send messages to itself
- B. represents a user external to the owner of this interaction
- C. represents a property of the enclosing composite structure named "self"
- D. represents the behavior of the object owning this interaction

Answer: D

### QUESTION 30:

Which elements in an activity diagram can be redefined by which other elements?  
(Choose two)

- A. nodes by nodes
- B. edges by nodes
- C. nodes by edges
- D. edges by edges
- E. states by states
- F. transitions by transitions

Answer: A,D

---

**QUESTION 31:**

What is true of the import example in the exhibit?



- A. Auxiliary and Types are imported into ShoppingCart, but neither can be further imported into WebShop.
- B. Webshop is imported into ShoppingCart and then further imported into Auxiliary and Types.
- C. Public members of Types and Auxiliary are imported into ShoppingCart and then further imported into WebShop.
- D. Public members of WebShop are imported into ShoppingCart and then further imported into Auxiliary or Types.
- E. Public members of Types and Auxiliary are imported into ShoppingCart and those from Types are further imported into WebShop.

Answer: E

---

**QUESTION 32:**

What term describes a customer ordering books via the web?

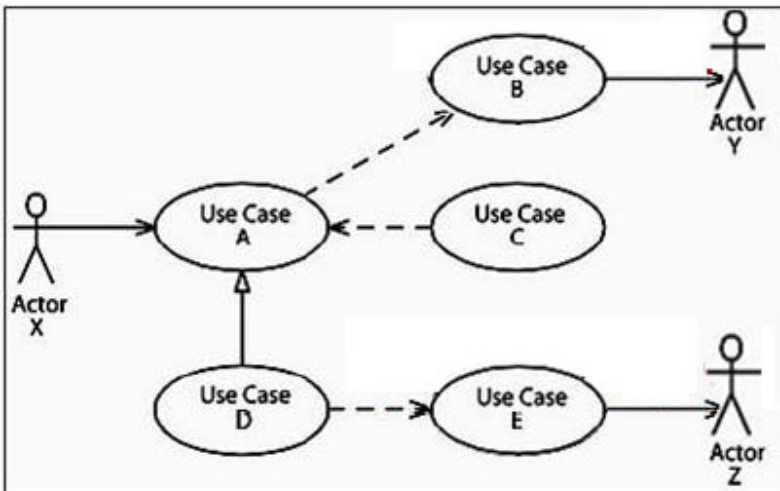
- A. external system
- B. subject
- C. client
- D. user-case
- E. user
- F. actor

Answer: F

---

**QUESTION 33:**

In the exhibit, which use case does NOT need to be available to meet the goals of an actor using Use Case D?

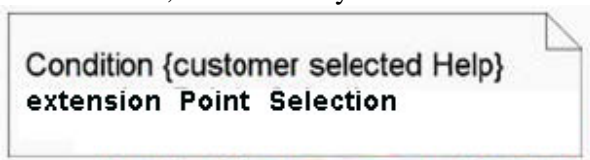


- A. Use Case B
- B. Use Case E
- C. Use Case D
- D. Use Case A
- E. Use Case C

Answer: E

### QUESTION 34:

In the exhibit, to which may it be attached?



- A. the actor who initiated an extension use case
- B. the association from an extension use case to its target
- C. the association from an extension use case to its included use cases
- D. the use case that has extension points
- E. the subject that owns the extension

Answer: B

### QUESTION 35:

What does an activity contain? (Choose two)

- A. messages
- B. classes

- C. edges
- D. lifelines
- E. nodes
- F. states

Answer: C,E

---

### QUESTION 36:

What is the meaning of a <<realize>> dependency between two model elements?

- A. a specialized abstraction relationship between two model elements, where the supplier represents the specification and the client represents the implementation
- B. a generalized abstraction relationship between two model elements, where the client represents the specification and the supplier represents the implementation
- C. a generalized usage relationship between two model elements, where the supplier represents the using element and the client represents the element being used
- D. a specialized permission relationship between two model elements, where the supplier represents the element accessing and the client represents the element being accessed
- E. a specialized usage relationship between two model elements, where the supplier represents the using element and the client represents the element being used

Answer: A

---

### QUESTION 37:

What do abstraction dependencies represent? (Choose two)

- A. different levels of abstraction or different viewpoints
- B. same level of abstract or different viewpoints
- C. different concepts
- D. same concept
- E. same level of abstraction or the same viewpoint

Answer: A,D

---

### QUESTION 38:

What do arrows in activity diagrams represent? (Choose two)

- A. message passing
- B. unidirectional associations
- C. state transitions
- D. object flows
- E. dependencies
- F. control flows

Answer: D,F

---

**QUESTION 39:**

What provides input values to a behavior on a decision node?

- A. actions
- B. output parameter nodes
- C. output pins
- D. exit states
- E. object flows

Answer: E

---

**QUESTION 40:**

What are the components of diagram frames? (Choose three)

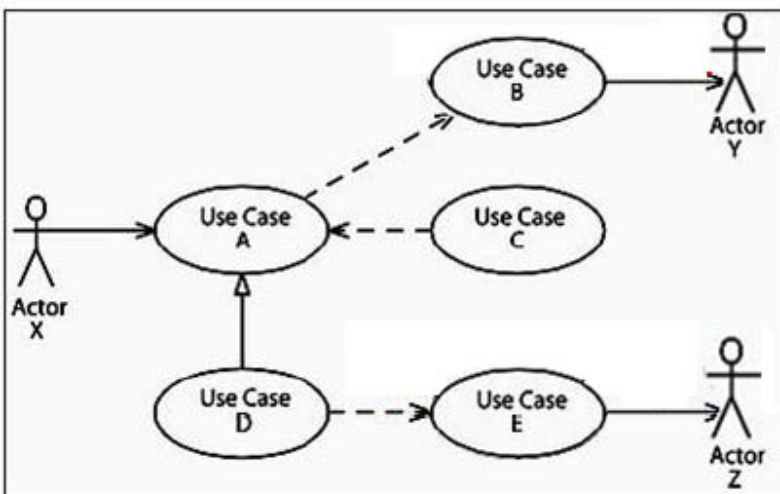
- A. heading
- B. content area
- C. author designation
- D. round-cornered frame
- E. square-cornered frame
- F. date

Answer: A,B,E

---

**QUESTION 41:**

In the exhibit, which relationship may have a condition attached to it?





- A. between Actor X and Use Case B
- B. between Use Case A and Use Case B
- C. between Use Case A and Use Case D
- D. between Use Case A and Use Case C
- E. between Use Case D and Use Case E

Answer: D

---

**QUESTION 42:**

What is the notation for a required interface?



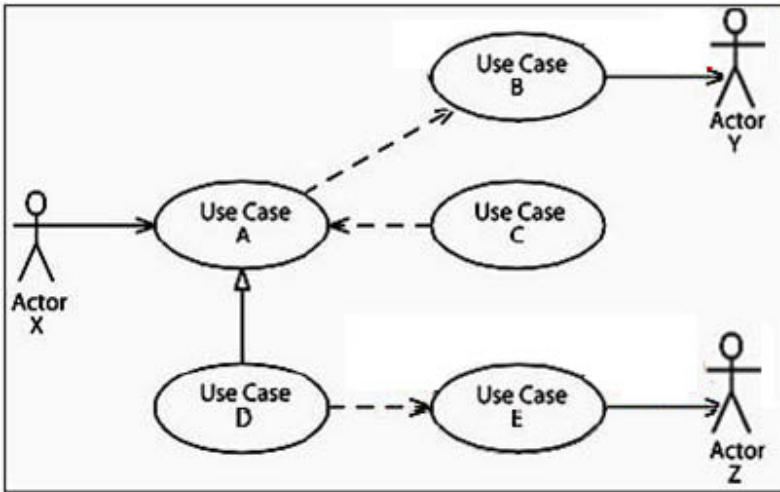
- A. A
- B. B
- C. C
- D. D

Answer: C

---

**QUESTION 43:**

In the exhibit, when Actor X initiates Use Case A, how many other actors must be involved?

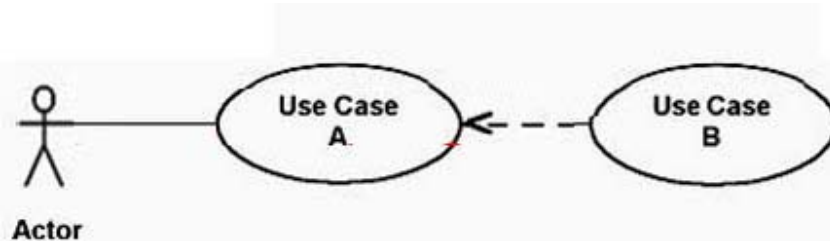


- A. 3
- B. 1
- C. 2
- D. 0

Answer: B

**QUESTION 44:**

In the exhibit, which best describes the relationship between the two use cases:  
Use Case A and Use Case B?



- A. Use Case B extends Use Case A.
- B. Use Case B generalizes Use Case A.
- C. Use Case A extends Use Case B.
- D. Use Case B includes Use Case A.
- E. Use Case A includes Use Case B.
- F. Use Case A generalizes Use Case B.

Answer: A

**QUESTION 45:**

What notation may be added to the line connecting a use case with an actor to indicate

that the actor can participate in several instances of the use case at the same time?

- A. near the use case oval\*
- B. near the actor <<many>>
- C. near the actor {many}
- D. near the use case oval{\*}
- E. near the actor 0..\*

Answer: A

---

#### QUESTION 46:

What does it mean when a classifier rectangle is labeled as an <<enumeration>>?

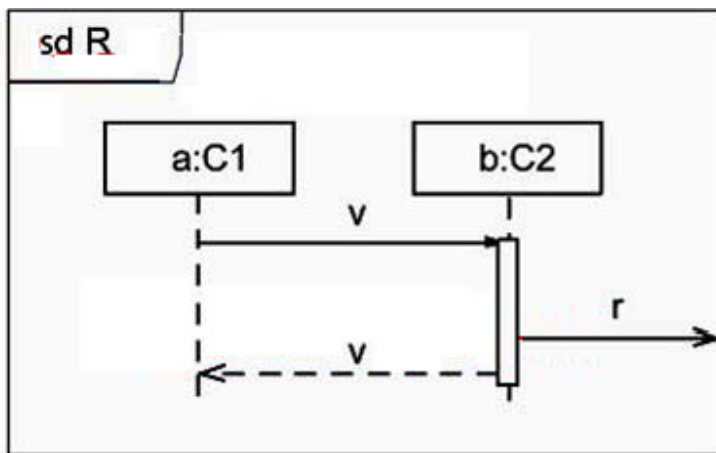
- A. The list of all public and private features is provided.
- B. The classifier is a data type whose values are possibly listed in the bottom compartment.
- C. The classifier is an iterator for traversing a collection.
- D. The list of all public and private structural features is suppressed.

Answer: B

---

#### QUESTION 47:

What does the execution occurrence in the exhibit convey?



- A. the return of the reply from having performed the operation v
- B. the execution of the behavior associated with the operation v on b
- C. that the operation v is called
- D. the sending of r

Answer: B

---

To Read the [Whole Q&As](#), please purchase the [Complete Version](#) from [Our website](#).

# Trying our product !



- ★ **100%** Guaranteed Success
- ★ **100%** Money Back Guarantee
- ★ **365 Days** Free Update
- ★ **Instant Download** After Purchase
- ★ **24x7** Customer Support
- ★ Average **99.9%** Success Rate
- ★ More than **69,000** Satisfied Customers Worldwide
- ★ Multi-Platform capabilities - **Windows, Mac, Android, iPhone, iPod, iPad, Kindle**

## Need Help

Please provide as much detail as possible so we can best assist you.

To update a previously submitted ticket:



 <b>One Year Free Update</b> <p>Free update is available within One Year after your purchase. After One Year, you will get 50% discounts for updating. And we are proud to boast a 24/7 efficient Customer Support system via Email.</p>	 <b>Money Back Guarantee</b> <p>To ensure that you are spending on quality products, we provide 100% money back guarantee for 30 days from the date of purchase.</p>	 <b>Security &amp; Privacy</b> <p>We respect customer privacy. We use McAfee's security service to provide you with utmost security for your personal information &amp; peace of mind.</p>
---	---	--

[Guarantee & Policy](#) | [Privacy & Policy](#) | [Terms & Conditions](#)

Any charges made through this site will appear as Global Simulators Limited.

All trademarks are the property of their respective owners.

Copyright © 2004-2015, All Rights Reserved.