

NSE7_OTS-6.4^{Q&As}

Fortinet NSE 7 - OT Security 6.4

Pass Fortinet NSE7_OTS-6.4 Exam with 100% Guarantee

Free Download Real Questions & Answers **PDF** and **VCE** file from:

https://www.certbus.com/nse7_ots-6-4.html

100% Passing Guarantee
100% Money Back Assurance

Following Questions and Answers are all new published by Fortinet
Official Exam Center

- ⚙️ **Instant Download** After Purchase
- ⚙️ **100% Money Back** Guarantee
- ⚙️ **365 Days** Free Update
- ⚙️ **800,000+** Satisfied Customers



QUESTION 1

Which three methods of communication are used by FortiNAC to gather visibility information? (Choose three.)

- A. SNMP
- B. ICMP
- C. API
- D. RADIUS
- E. TACACS

Correct Answer: ACD

QUESTION 2

Refer to the exhibit.

Maint	Device	Type	Organization	Avail Status	Perf Status	Security Status
	FG240D3913800441	Fortinet FortiOS	Super			
	SJ-QA-F-Lnx-CHK	Checkpoint FireWall	Super			
	FAPS321C-default	Fortinet FortiAP	Super			

You are navigating through FortiSIEM in an OT network.

How do you view information presented in the exhibit and what does the FortiGate device security status tell you?

- A. In the PCI logging dashboard and there are one or more high-severity security incidents for the FortiGate device.
- B. In the summary dashboard and there are one or more high-severity security incidents for the FortiGate device.
- C. In the widget dashboard and there are one or more high-severity incidents for the FortiGate device.
- D. In the business service dashboard and there are one or more high-severity security incidents for the FortiGate device.

Correct Answer: B

QUESTION 3

As an OT administrator, it is important to understand how industrial protocols work in an OT network. Which communication method is used by the Modbus protocol?

- A. It uses OSI Layer 2 and the primary device sends data based on request from secondary device.
- B. It uses OSI Layer 2 and both the primary/secondary devices always send data during the communication.
- C. It uses OSI Layer 2 and both the primary/secondary devices send data based on a matching token ring.
- D. It uses OSI Layer 2 and the secondary device sends data based on request from primary device.

Correct Answer: D

QUESTION 4

Refer to the exhibit.



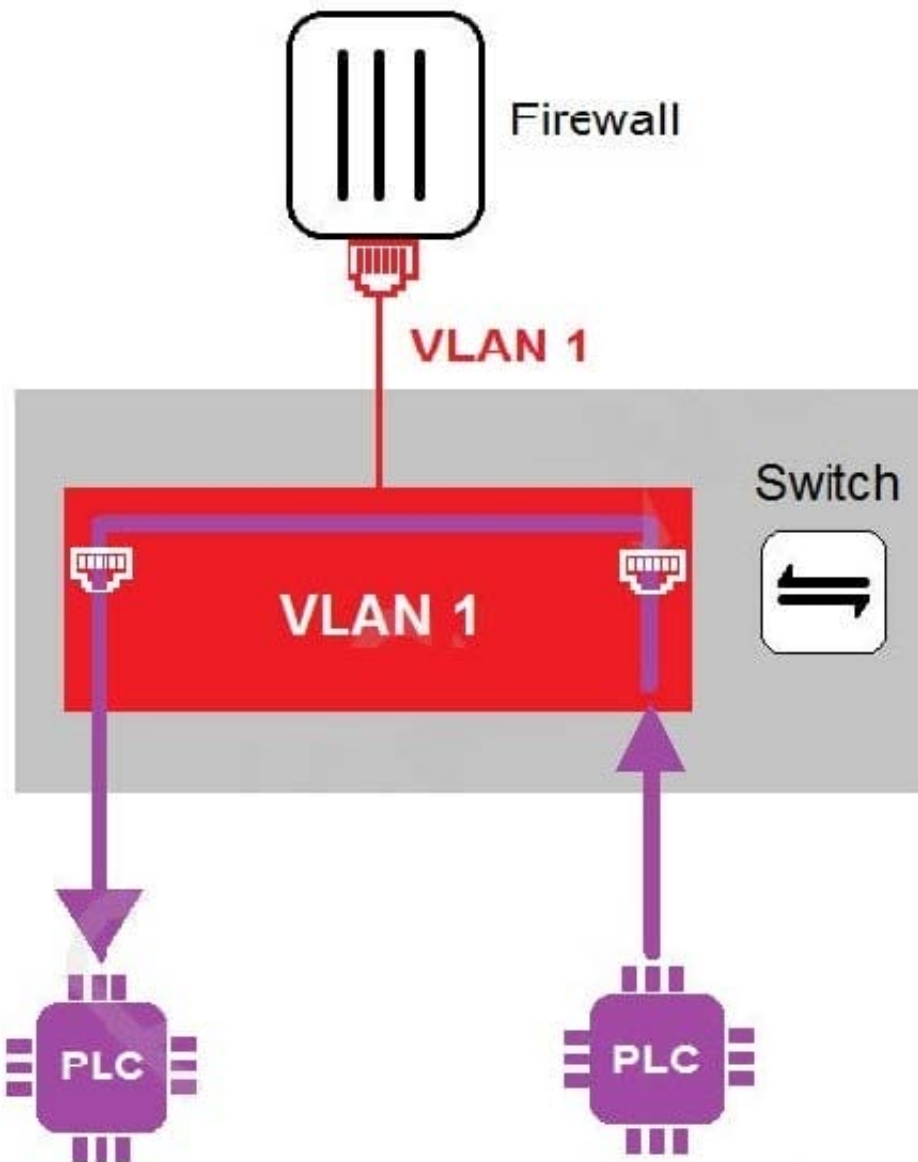
Based on the Purdue model, which three measures can be implemented in the control area zone using the Fortinet Security Fabric? (Choose three.)

- A. FortiGate for SD-WAN
- B. FortiGate for application control and IPS
- C. FortiNAC for network access control
- D. FortiSIEM for security incident and event management
- E. FortiEDR for endpoint detection

Correct Answer: BCD

QUESTION 5

Refer to the exhibit.



In the topology shown in the exhibit, both PLCs can communicate directly with each other, without going through the firewall.

Which statement about the topology is true?

- A. PLCs use IEEE802.1Q protocol to communicate each other.
- B. An administrator can create firewall policies in the switch to secure between PLCs.
- C. This integration solution expands VLAN capabilities from Layer 2 to Layer 3.
- D. There is no micro-segmentation in this topology.

Correct Answer: D

QUESTION 6

An OT network administrator is trying to implement active authentication.

Which two methods should the administrator use to achieve this? (Choose two.)

- A. Two-factor authentication on FortiAuthenticator
- B. Role-based authentication on FortiNAC
- C. FSSO authentication on FortiGate
- D. Local authentication on FortiGate

Correct Answer: AB

QUESTION 7

An administrator wants to use FortiSoC and SOAR features on a FortiAnalyzer device to detect and block any unauthorized access to FortiGate devices in an OT network.

Which two statements about FortiSoC and SOAR features on FortiAnalyzer are true? (Choose two.)

- A. You must set correct operator in event handler to trigger an event.
- B. You can automate SOC tasks through playbooks.
- C. Each playbook can include multiple triggers.
- D. You cannot use Windows and Linux hosts security events with FortiSoC.

Correct Answer: BC

QUESTION 8

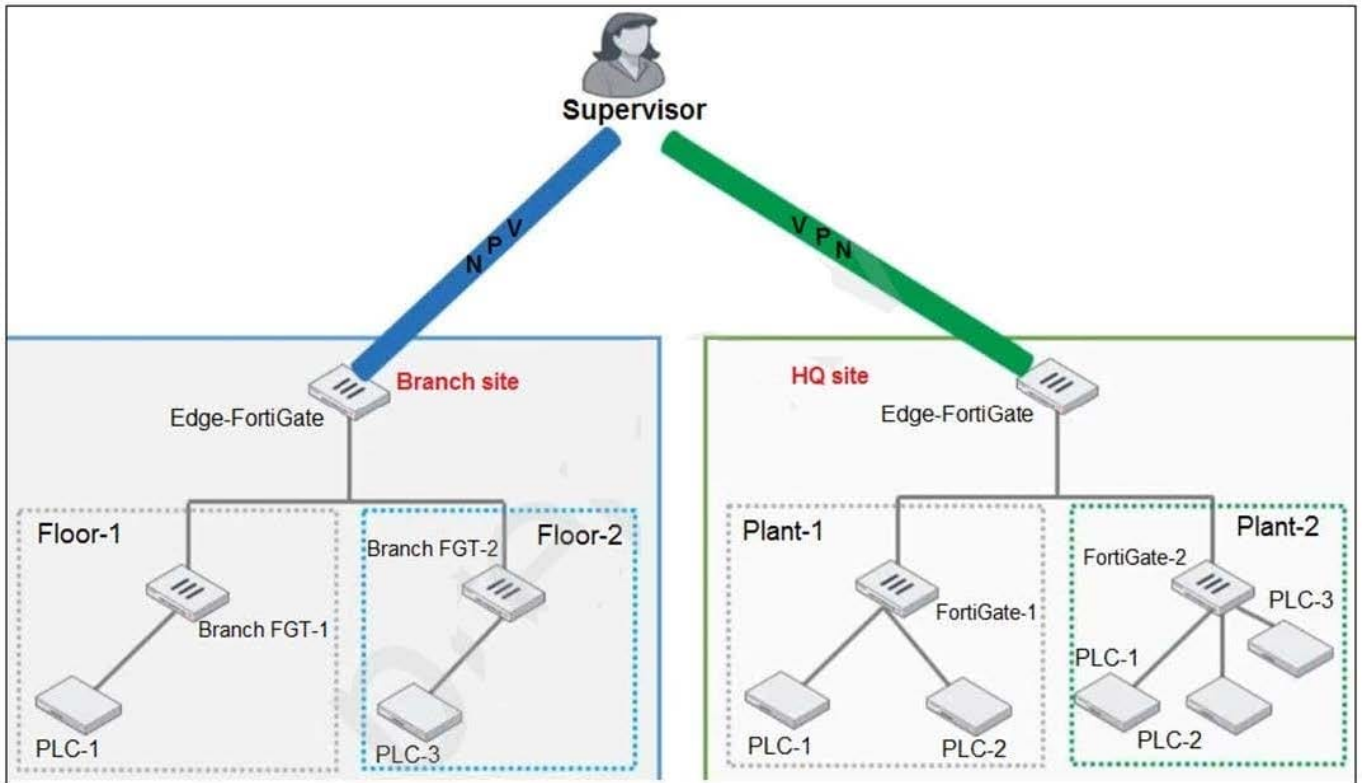
What are two benefits of a Nozomi integration with FortiNAC? (Choose two.)

- A. Enhanced point of connection details
- B. Direct VLAN assignment
- C. Adapter consolidation for multi-adapter hosts
- D. Importation and classification of hosts

Correct Answer: AB

QUESTION 9

Refer to the exhibit.



You need to configure VPN user access for supervisors at the breach and HQ sites using the same soft FortiToken. Each site has a FortiGate VPN gateway.

What must you do to achieve this objective?

- A. You must use a FortiAuthenticator.
- B. You must register the same FortiToken on more than one FortiGate.
- C. You must use the user self-registration server.
- D. You must use a third-party RADIUS OTP server.

Correct Answer: A

QUESTION 10

An OT administrator is defining an incident notification policy using FortiSIEM and would like to configure the system with a notification policy. If an incident occurs, the administrator would like to be able to intervene and block an IP address or disable a user in Active Directory from FortiSIEM.

Which step must the administrator take to achieve this task?

- A. Configure a fabric connector with a notification policy on FortiSIEM to connect with FortiGate.
- B. Create a notification policy and define a script/remediation on FortiSIEM.
- C. Define a script/remediation on FortiManager and enable a notification rule on FortiSIEM.

D. Deploy a mitigation script on Active Directory and create a notification policy on FortiSIEM.

Correct Answer: C

[NSE7_OTS-6.4 PDF Dumps](#)

[NSE7_OTS-6.4 Study
Guide](#)

[NSE7_OTS-6.4 Exam
Questions](#)