

# NS0-192<sup>Q&As</sup>

NetApp Certified Support Engineer

## Pass NetApp NS0-192 Exam with 100% Guarantee

Free Download Real Questions & Answers **PDF** and **VCE** file from:

<https://www.certbus.com/ns0-192.html>

100% Passing Guarantee  
100% Money Back Assurance

Following Questions and Answers are all new published by NetApp  
Official Exam Center

-  **Instant Download** After Purchase
-  **100% Money Back** Guarantee
-  **365 Days** Free Update
-  **800,000+** Satisfied Customers



### QUESTION 1

Users are experiencing Kerberos authentication problems when attempting to access CIFS shares on the AcmeFS01 SVM. However, users are able to access shares hosted on Windows servers. You verify that network connectivity, between the SVM and the domain controllers, is working correctly.

What should you do to troubleshoot the authentication issue?

- A. Ensure that the time on the ONTAP cluster is correct.
- B. Verify that the users\ computers can resolve DNS hostnames.
- C. Verify that the users\ computers can ping the SVM data LIF.
- D. Verify that the SVM data LIF is on its home port.

Correct Answer: B

---

### QUESTION 2

You need to restore a large number of files from a Snapshot copy and grant users read/write access to the restored data using CIFS. For comparison reasons, you must ensure that the currently active data in the volume is preserved.

Which restore method should you use to accomplish this task?

- A. Use FlexClone to clone the volume, and specify the Snapshot copy from which to clone.
- B. Use SnapRestore to restore the volume, and specify the Snapshot copy from which to restore.
- C. Use NDMP to restore the data from the Snapshot copy back to the volume.
- D. Grant users read/write access to the Snapshot copy in the snapshot folder of the CIFS share.

Correct Answer: B

---

### QUESTION 3

Using QoS statistics for a group of volumes on one node, you notice that most of the latency comes from the data layer.

In this scenario, which statement is correct?

- A. There is too much indirect traffic from other nodes.
- B. QoS processing is increasing CPU usage.
- C. The CPU on the node is overused.
- D. High disk use is increasing CPU usage.

Correct Answer: D

---

#### QUESTION 4

A manager wants a volume to have a guaranteed 300 MB/s of read performance. You explain that you cannot do this on FAS storage running ONTAP 9.3 backed by 10,000 RPM disks.

What is the reason for this response?

- A. Throughput floors apply to only iSCSI access.
- B. Throughput floors can only guarantee up to 125 MB/s.
- C. Throughput floors require a license.
- D. Throughput floors require AFF.

Correct Answer: D

---

#### QUESTION 5

A customer has a company-wide power outage scheduled and needs to gracefully power off a 2-node cluster.

In this scenario, which of two steps should be performed? (Choose two.)

- A. Use the `halt -node * -skip-lif-migration-before-shutdown true -inhibit-takeover true` command.
- B. Invoke an AutoSupport message to indicate a planned maintenance time.
- C. Use OnCommand System Manager to halt the controllers.
- D. Use the `halt -node *` command.

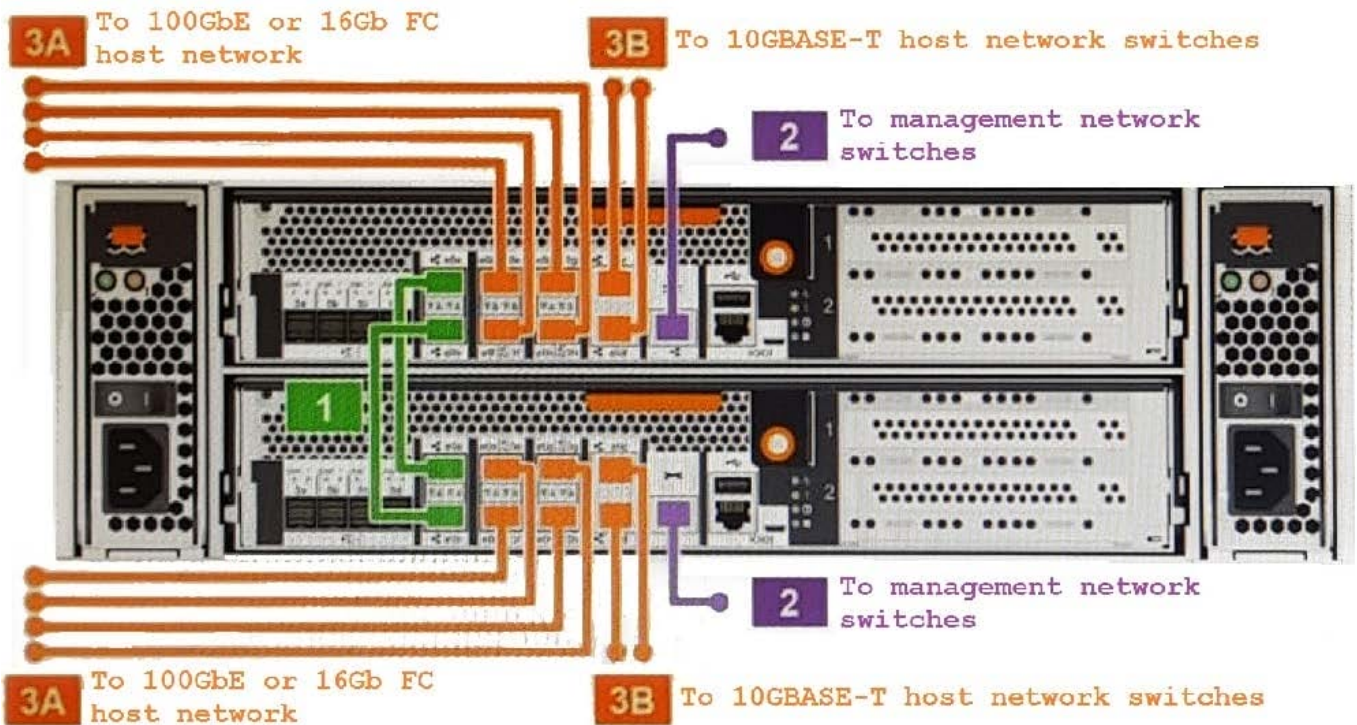
Correct Answer: AD

Reference: [https://library.netapp.com/ecm/ecm\\_download\\_file/ECMLP2492713](https://library.netapp.com/ecm/ecm_download_file/ECMLP2492713)

---

#### QUESTION 6

Click the Exhibit button.



You are troubleshooting HA interconnect link connection errors.

Referring to the exhibit, which physical connections should you examine?

- A. 1
- B. 3B
- C. 3A
- D. 2

Correct Answer: C

**QUESTION 7**

Two end-users are both connecting to the same SMB share, but end-user A sees different files and folders than end-user B.

Which statement is correct in this scenario?

- A. Access Based Enumeration (ABE) explains this behavior.
- B. NetApp Storage Encryption (NSE) explains this behavior.
- C. End-user A is authenticating with NTLM.
- D. NetApp Volume Encryption (NVE) explains this behavior.

Correct Answer: C

**QUESTION 8**

An administrator has created an SVM and would like to replicate it using SVM DR.

In this scenario, which two protocol configurations are replicated? (Choose two.)

- A. CIFS
- B. iSCSI
- C. FC
- D. NFS

Correct Answer: AD

Reference: [https://library.netapp.com/ecm/ecm\\_get\\_file/ECMLP2496254](https://library.netapp.com/ecm/ecm_get_file/ECMLP2496254)

**QUESTION 9**

Click the Exhibit button.

```
alphana1::> network interface show
(network interface show)
```

Vserver	Logical Interface	Status Admin/Oper	Network Address/Mask	Current Node	Current Port	Is Home
Cluster						
	alphana1-01_clus1	up/up	169.254.45.43/16	alphana1-01	e0e	true
	alphana1-01_clus2	up/up	169.254.129.144/16	alphana1-01	e0f	true
	alphana1-02_clus1	up/up	169.254.254.196/16	alphana1-02	e0e	true
	alphana1-02_clus2	up/up	169.254.145.169/16	alphana1-02	e0f	true
alpha-fs1	lab-fs1_lif1	up/up	10.1.100.100/24	alphana1-01	a0a-100	true

5 entries were displayed.

```
alphana1::> net int create -vserver bravo-fs2 -lif bravo_fs2_lif -role data -home-
node alphana1-01 -home-port a0a-105 -address
10.1.100.100 -netmask 255.255.255.0
(network interface create)
```

```
Info: Failed to create logical interface.
Error: command failed: Duplicate ip address 10.1.100.100
```

You are creating a new LIF on a new SVM named "bravo-fs2". The cluster is being used in a multitenancy environment, and the bravo tenant has VLAN 105 assigned to it. You receive the error shown in the exhibit when you are creating the

LIF. You have verified that the IP address is correct and the existing IP addresses that are already configured are also correct.

Referring to the exhibit, why is this error occurring?

- A. Two NetApp LIFs cannot have the same IP address assigned.
- B. Another device on VLAN 105 already has the IP address.
- C. The network switch VLAN configuration is incorrect.
- D. Using the same IP address on two LIFs requires different IPspaces.

Correct Answer: C

---

#### QUESTION 10

A customer has a Window PC connected to an SMB share for a newly created volume on ONTAP storage. The share properties indicate that it has 475 GB free. However, the volume is configured as a 500 GB volume.

Which technology is responsible for this situation?

- A. deswizzling
- B. deduplication
- C. Snapshot reserve
- D. compression

Correct Answer: D

[Latest NS0-192 Dumps](#)

[NS0-192 PDF Dumps](#)

[NS0-192 Exam Questions](#)