

JN0-682^{Q&As}

Data Center Professional (JNCIP-DC)

Pass Juniper JN0-682 Exam with 100% Guarantee

Free Download Real Questions & Answers **PDF** and **VCE** file from:

<https://www.certbus.com/jn0-682.html>

100% Passing Guarantee
100% Money Back Assurance

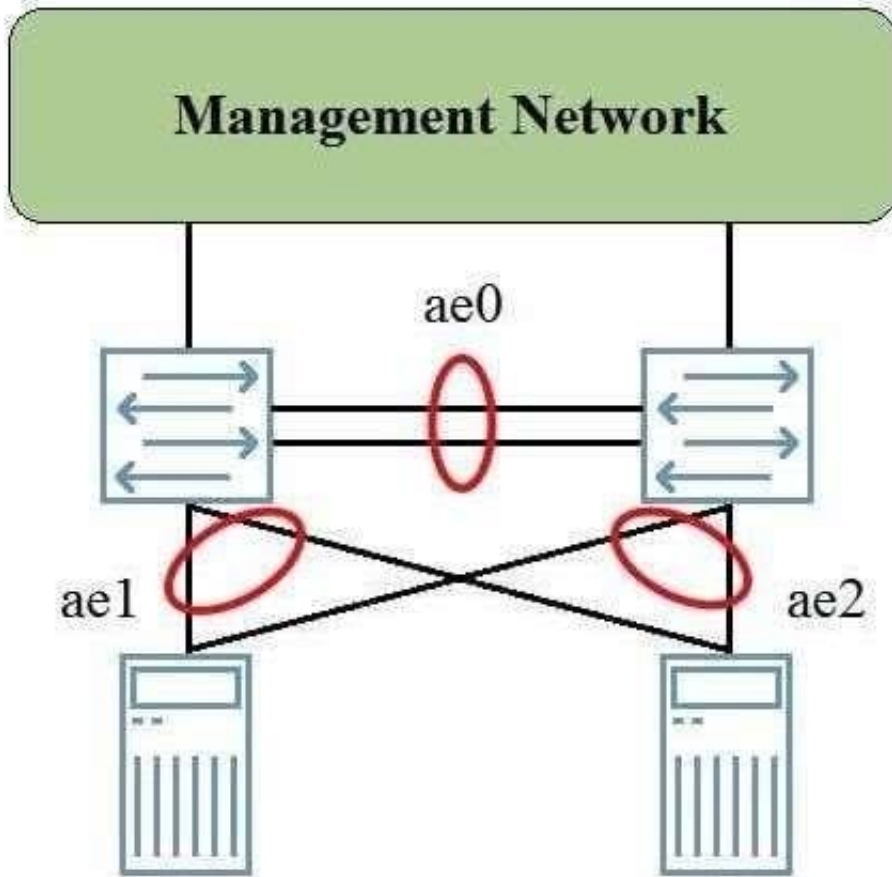
Following Questions and Answers are all new published by Juniper
Official Exam Center

-  **Instant Download** After Purchase
-  **100% Money Back** Guarantee
-  **365 Days** Free Update
-  **800,000+** Satisfied Customers



QUESTION 1

The MC-LAG group shown in the exhibit is providing high availability services for the directly connected servers. The backup liveness detection is applied to the ICL-PL link, however, when one of the members rebooted, there was traffic loss for a few seconds.



In this scenario, where should you apply the backup liveness detection?

- A. On the management interfaces
- B. On the ae2 interface
- C. On the ae1 interface
- D. On the ae0 interface

Correct Answer: A

QUESTION 2

You are building an IP fabric underlay for your data center. You are asked to ensure that the two spine devices are in the same AS (65000) while the six leaf devices are in a different AS (65512). In this scenario, which two statements are correct by default? (Choose two.)

- A. All BGP routes advertised by a leaf device will be accepted on the spine devices.
- B. A leaf device will accept all BGP routes received from the spine that were originated from another leaf device.
- C. All BGP routes advertised by a leaf device will be rejected on the spine devices.
- D. A leaf device will reject all BGP routes received from the spine that were originated from another leaf device.

Correct Answer: AB

QUESTION 3

Which two characteristics would you consider when selecting spine devices in an IP fabric? (Choose two.)

- A. scaling limitations
- B. spanning tree limitations
- C. port density
- D. data center location

Correct Answer: BD

QUESTION 4

Referring to the VTEP output shown in the exhibit, which two statements are true? (Choose two.)

```
user@leaf1> show ethernet-switching table
```

```
MAC flags (S - static MAC, D - dynamic MAC, L - locally learned, P - Persistent static  
SE - statistics enabled, NM - non configured MAC, R - remote PE MAC, O - ovsdb MAC)
```

```
Ethernet switching table : 2 entries, 2 learned  
Routing instance : default-switch
```

Vlan	MAC	MAC
Logical	Active	
name	address	flags
interface	source	
v15	52:54:00:2c:4b:a2	D
vtep.32771	192.168.100.13	
v15	52:54:00:5e:88:6a	D
xe-0/0/0.0		

- A. The MAC address 52:54:00 5e 88 6a belongs to a remote host.
- B. The MAC address 52:54:00 5e 88 6a belongs to a local host.
- C. The MAC address 52:54:00 2c 4b:a2 belongs to a remote host.
- D. The MAC address 52:54:00 2c 4b:a2 belongs to a local host.

Correct Answer: AC

QUESTION 5

What is the purpose of the command shown in the exhibit?

```
[edit protocols 12-learning]  
user@switch# show  
disable-vxlan-multicast-transit {  
    vxlan-multicast-group 239.0.0.1;  
}
```

- A. To stop the reception of transit multicast traffic when there are no interested receives attached to the local VTEP

- B. To disable the group 239.0.0.1 across the entire VXLAN.
- C. To stop the transmission of transit multicast traffic when there are no interested receivers attached to a remote VTEP
- D. To disallow IGMP request for the group 239.0.0.1 from host attached to the local VTEP

Correct Answer: C

QUESTION 6

You are asked to deploy an Ethernet bridging design in a data center with the following criteria:

- routing must occur on the leaf devices.
- VTEPs must terminate on the leaf devices.
- facilitate inter-VLAN communication.
- lower latency with East-West traffic.

Which architecture should you use in this scenario?

- A. collapsed spine architecture
- B. edge-routed bridging architecture
- C. bridge overlay architecture
- D. centrally-routed bridging architecture

Correct Answer: B

QUESTION 7

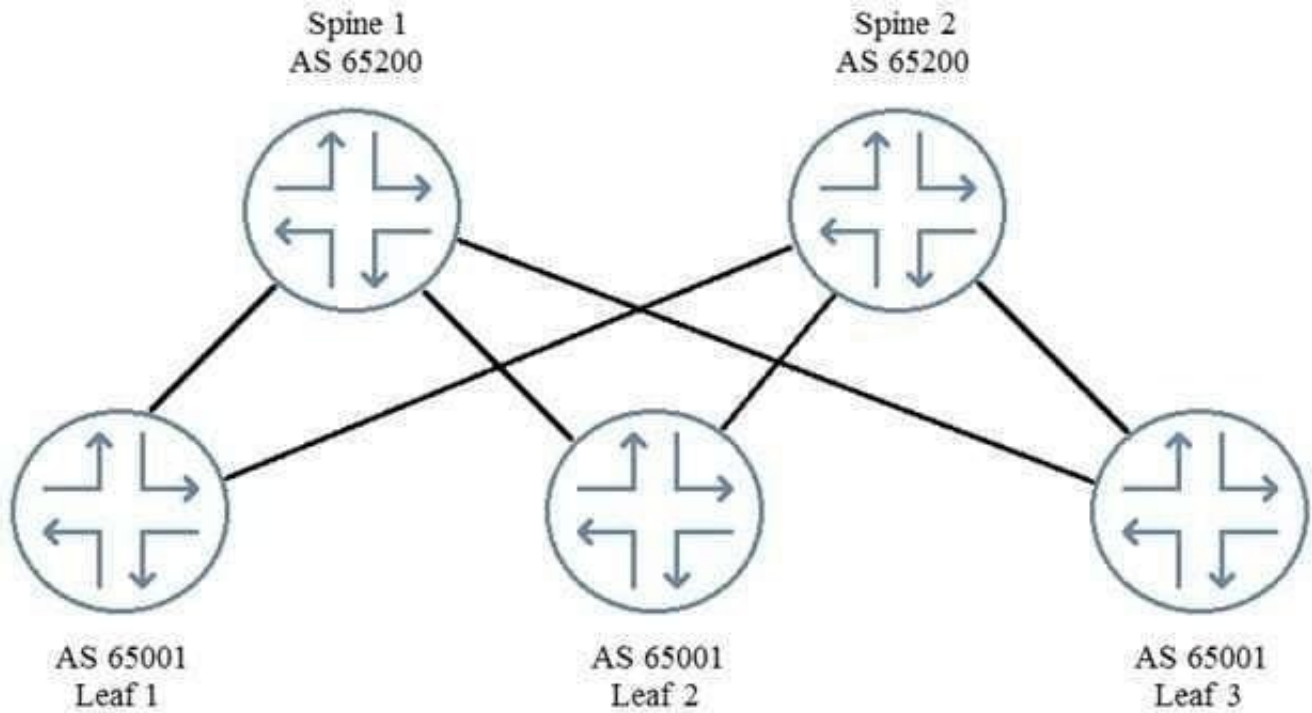
What is an advantage that EVPN has over VPLS when used for DCI?

- A. mass MAC withdrawal
- B. transparent BPDU transport
- C. active/standby multihoming
- D. reverse path forwarding

Correct Answer: A

QUESTION 8

Referring to the exhibit, not all routes are being exchanged by EBGP peers.



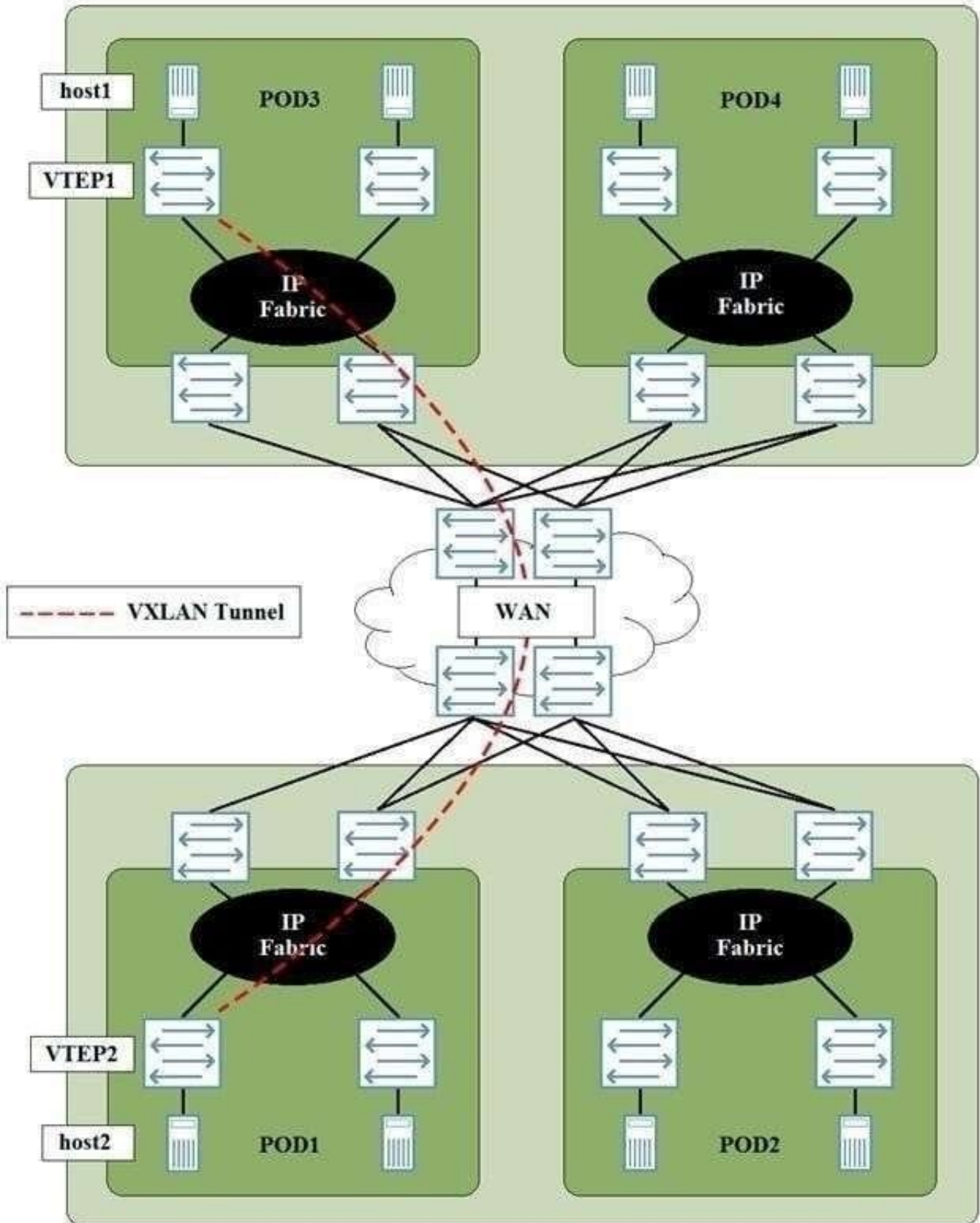
In this scenario, which BGP parameter would solve this problem?

- A. mulcihop
- B. mulcipach
- C. mulcipach multiple-as
- D. as-override

Correct Answer: D

QUESTION 9

Referring to the exhibit, DC1 and DC2 have a DCI across a service provider WAN connection. Host1 in DC1 must have Layer 2 connectivity to host2 in DC2. A VXLAN tunnel must be created between VTEP1 and VTEP2.



In this scenario, which statement is true?

- A. A route to the loopback address on VTEP must be present on VTEP1.

- B. VTEP and VTEP2 must peer using IBGP.
- C. VXLAN Layer 3 gateway must be provisioned at the Super Spine layer.
- D. The service provider WAN connection be an MPL5-based WAN connection.

Correct Answer: A

QUESTION 10

You are implementing perimeter security for your data center. You need to inspect all traffic Layer 7 and ensure the failure of a port or device will not result in an interruption to traffic flows. In this scenario, which design would satisfy these requirements?

- A. MX with MC LAG
- B. QFX Virtual Chassis
- C. SRX Chassis cluster
- D. SRX using LAG

Correct Answer: C

QUESTION 11

You are asked to scale the available bandwidth within your Clos data center network to support more east-west traffic. In this scenario, what are two ways to accomplish this task? (Choose two.)

- A. Add leaf devices to increase available paths and bandwidth
- B. Use aggregated interfaces in the fabric.
- C. Add spines to increase available paths and bandwidth.
- D. Interconnect all spines to increase available paths and bandwidth.

Correct Answer: BD

QUESTION 12

You are asked to enable plug-and-play line card switches in an active VCF without making any future Junos configuration changes. You are also required to ensure that all new line card are automatically upgrade to the correct Junos version without any manual intervention. In this scenario, which two actions will accomplish this task? (Choose two.)

- A. Set the virtual Chassis as auto-provisioned before the line cars are inserted.
- B. Ensure that the newly instead card's MAC addresses are present in the DHCP configuration for ZTP.
- C. Set the Virtual Chassis as per-provision before the line are inserted.

D. Configure the auto-sw-update parameter on the VCF before inserting new line cards.

Correct Answer: AD

QUESTION 13

You are asked to manage multicast traffic in the EVPN-VXLAN environment. You must ensure that multicast traffic is delivered only to the leaf device with interested receivers. In this scenario, which feature is required on leaf devices to accomplish this task?

- A. PIM
- B. IGMP snooping
- C. MSDP
- D. DVMRP

Correct Answer: B

QUESTION 14

Which protocol is used between VCF member devices to create a loop-free topology?

- A. LLDP
- B. MDTP
- C. RSTP
- D. VCCP

Correct Answer: D

QUESTION 15

You have a two spine and four leaf CRB topology and you must ensure that the hosts connected to the leaf devices have reachability to all IRB interface addresses, including the local spine IRB addresses, and the virtual gateway address. Which two configuration parameters must be used to accomplish this task? (Choose two.)

- A. Configure a spine-to-spine BGP peering as part of the overlay.
- B. Configure virtual-gateway-accept-data under the IRB interface.
- C. Configure a spine-to-spine EVPN peering as part of the routing instance.
- D. Configure proxy-macip-advertisement under the IRB interface.

Correct Answer: BD

[Latest JN0-682 Dumps](#)

[JN0-682 VCE Dumps](#)

[JN0-682 Exam Questions](#)