

JN0-647^{Q&As}

Enterprise Routing and Switching Exam

Pass Juniper JN0-647 Exam with 100% Guarantee

Free Download Real Questions & Answers **PDF** and **VCE** file from:

<https://www.certbus.com/jn0-647.html>

100% Passing Guarantee
100% Money Back Assurance

Following Questions and Answers are all new published by Juniper
Official Exam Center

- ⚙️ **Instant Download** After Purchase
- ⚙️ **100% Money Back** Guarantee
- ⚙️ **365 Days** Free Update
- ⚙️ **800,000+** Satisfied Customers



QUESTION 1

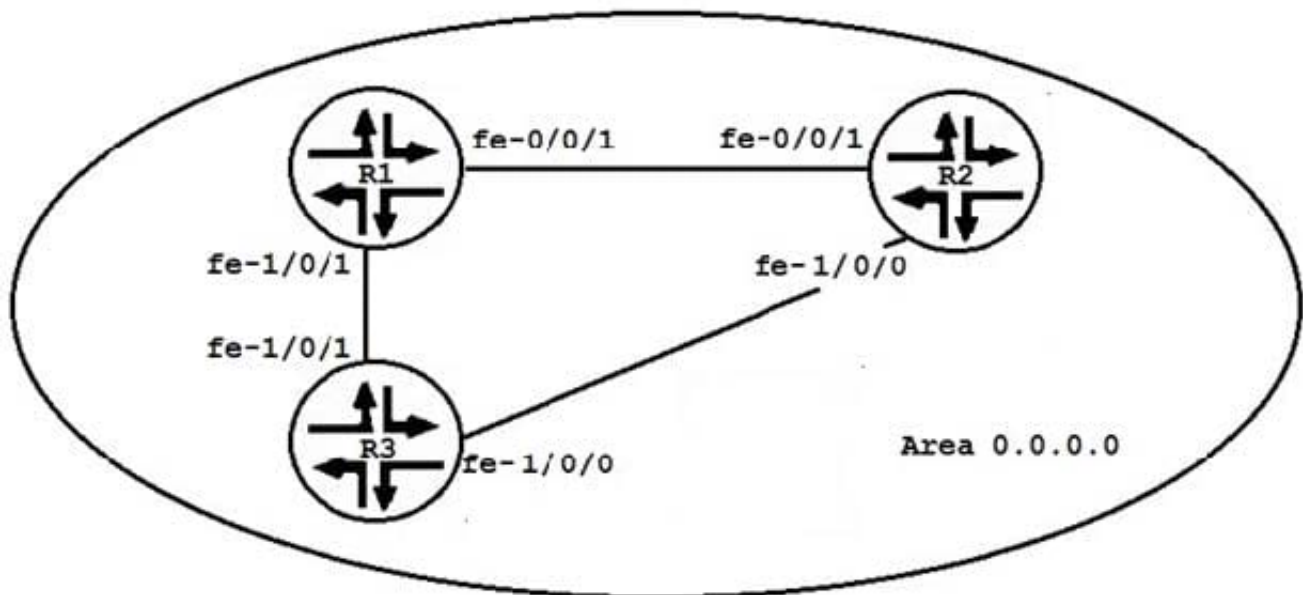
In a Layer 2 environment where 802.1X is deployed with its default parameters on EX Series switches, which two statements are correct? (Choose two.)

- A. RADIUS authentication requests are sent from the authenticator to the authentication server.
- B. DHCP traffic from supplicants is denied by default through the authenticator.
- C. RADIUS authentication requests are sent from the supplicant to the authentication server.
- D. DHCP traffic from supplicants is permitted by default through the authenticator.

Correct Answer: AB

QUESTION 2

Click the Exhibit button.



Your network is experiencing congestion across the link between R2 and R3. You must make changes to alleviate traffic congestion from R3 to R2.

Referring to the exhibit, which two commands would accomplish this task? (Choose two.)

- A. [edit protocol ospf]
user@R1# set reference-bandwidth 10g
- B. [edit protocol ospf]
user@R3# set reference-bandwidth 10g
- C. [edit protocols ospf area 0.0.0.0]
user@R1# set interface fe-1/0/1 metric 5
- D. [edit protocols ospf area 0.0.0.0]
user@R3# set interface fe-1/0/1 metric 5

A. B. C. D.

Correct Answer: BD

QUESTION 3

Which three statements are true about strict-high priority queues? (Choose three.)

- A. In systems that support strict-high and high priority queues, traffic in the strict-high queue is completely emptied, and then high priority queue traffic is processed.
- B. In systems that support strict-high and high priority queues, traffic in these two priorities is processed in a round-robin fashion.
- C. When a strict-high queue goes into negative credits, it will maintain a strict DSCP marking.
- D. When a strict-high queue can never go into negative credits and will always transmit the traffic in the queue.
- E. In systems that support multiple strict-high priority queues, traffic in the strict-high queue is processed in a round-robin fashion.

Correct Answer: ADE

QUESTION 4

What are two OSPF LSA types? (Choose two.)

- A. Stub
- B. Router
- C. Transit
- D. Network

Correct Answer: BD

QUESTION 5

Click the Exhibit button.

```
user@router# show policy-options
policy-statement damp {
    term 1 {
        from {
            route-filter 10.128.0.0/9 exact damping dry;
            route-filter 0.0.0.0/0 prefix-length-range /0-/8
damping timid;
            route-filter 0.0.0.0/0 prefix-length-range /17-/32
damping aggressive;
        }
    }
}
policy-statement send-direct {
    term 1 {
        from protocol direct;
        then accept;
    }
}
damping aggressive {
    half-life 30;
    suppress 2500;
}
damping timid {
    half-life 5;
}
damping dry {
    disable;
}
```

A customer is concerned that the route damping policy on routes with prefixes greater than /17 is allowing too many flaps to occur. The customer does not want to change the default timer.

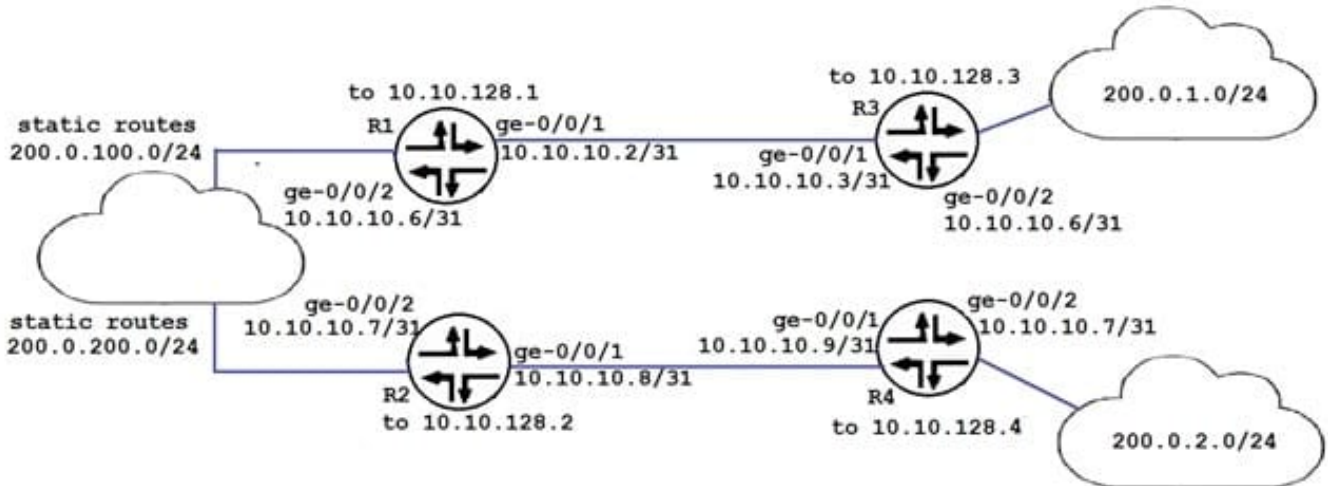
Referring to the exhibit, which two actions would allow fewer flaps per route? (Choose two.)

- A. Increase the suppress parameter to 3500.
- B. Decrease the suppress parameter to 2000.
- C. Increase the half-life parameter to 45.
- D. Decrease the half-life parameter to 15.

Correct Answer: BC

QUESTION 6

Click the Exhibit button.



```

user@R3# show policy-options policy-statement rip-exp
term 1 {
    from protocol direct
    then accept;
}
term 2 {
    from {
        protocol static;
    }
    then {
        metric 3;
        accept;
    }
}

user@R3 show protocols rip
send multicast
receive version-2;
group rip {
    export rip-exp;
    neighbor ge-0/0/1;
    neighbor ge-0/0/2;
}

user@R3 show route protocol rip
inet.0: 10 destinations, 10 routes (10 active, 0 holddown, 0 hidden) + =
Active Route, - = Last Active, * = Both
10.10.128.2/32 192.168.2.0/30 200.0.2.0/24 224.0.0.9/32
*[RIP/100] 00:09:54, metric 2, tag 0 > to 10.10.129.2 via ge-0/0/0.1121
*[RIP/100] 00:09:54, metric 2, tag 0 > to 10.10.129.2 via ge-0/0/0.1121
*[RIP/100] 00:09:54, metric 4, tag 0 > to 10.10.129.2 via ge-0/0/0.1121
*[RIP/100] 00:10:57, metric 1 MultiRecv
    
```

The ping command shows that connectivity of the 200.0.1/24 network to the 200.0.200.0/24 network exists. You notice that all the ping test results from various devices on 200.0.1.0/24 follow the same path even though equal cost paths exist to the 200.0.200.0/24 network.

Referring to the exhibit, what is happening?

- A. Load balancing needs to be enabled for equal cost pathing to work.
- B. The rip-exp policy needs to be modified to advertise RIP routes

- C. The RIP group must include the preference statement.
- D. RIPv2 does not support load balancing static routes.

Correct Answer: A

QUESTION 7

Which two statements are correct about using LLDP on junos devices? (Choose two.)

- A. LLDP operates on layer 2 and layer 3 interfaces
- B. LLDP can interoperate with the cisco discovery protocol CDP
- C. LLDP is enabled on all devices by default
- D. LLDP operates on layer 2 interfaces

Correct Answer: AC

QUESTION 8

A customer needs to pass Layer 2 protocols between sites.

Which protocol or standard would be required to implement connectivity on EX4300, EX3400, and EX2300 devices?

- A. Q-in-Q
- B. IGMP
- C. VPLS
- D. OSPF

Correct Answer: A

QUESTION 9

You are enabling 802.1X authentication on an EX Series device. You are configuring the switch in the conference room where you will have non-employees with devices that do not support 802.1X authentication connecting to your network.

You must ensure that these users can connect to your network but are restricted to Internet access only.

What should you do to accomplish this task?

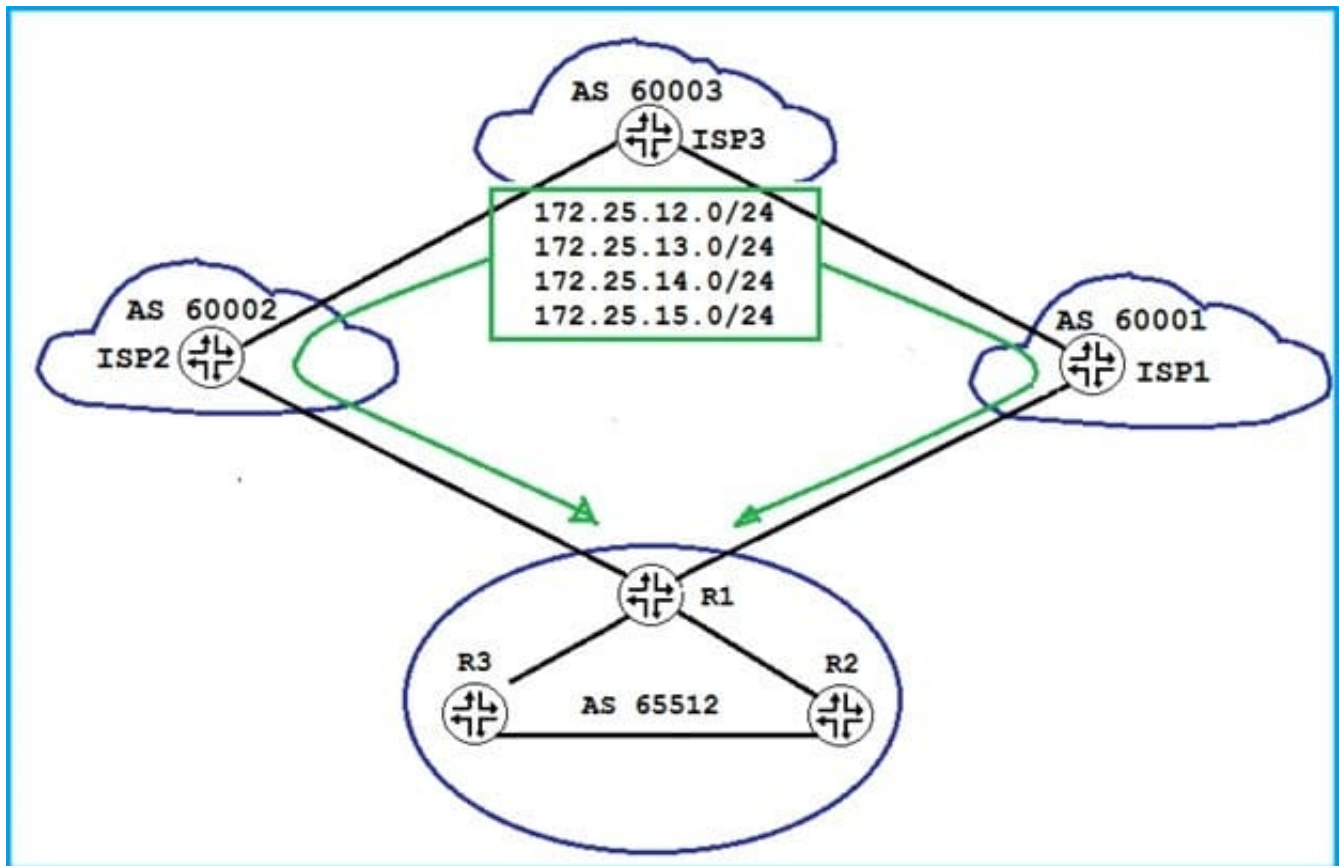
- A. You must add a RADIUS account for each user and assign them to the appropriate VLAN.
- B. You should ensure that the server-fail failback feature is enabled and users are assigned to the appropriate VLAN.

- C. You should assign a guest VLAN to the interfaces and isolate that VLAN to Internet access only.
- D. You should configure a server-reject VLAN to the interfaces and isolate that VLAN to Internet access only.

Correct Answer: C

QUESTION 10

Click the Exhibit button.



Referring to the exhibit, you have EBGP peerings with both ISP1 and ISP2. You are receiving the 172.25.12.0/24, 172.25.13.0/24, 172.25.14.0/24, and 172.25.15.0/24 routes through both neighbors. You must ensure that traffic to these prefixes are load balanced through both service providers. You have configured a load-balancing policy and have applied it to the forwarding table, but the prefixes are not being load balanced.

What is required to accomplish this task?

- A. The multihop feature should be enabled between both neighbors.
- B. The multipath multiple-as feature should be used between both neighbors.
- C. The as-override feature should be used between both neighbors.
- D. The include-mp-next-hop feature should be used between both neighbors.

Correct Answer: B

QUESTION 11

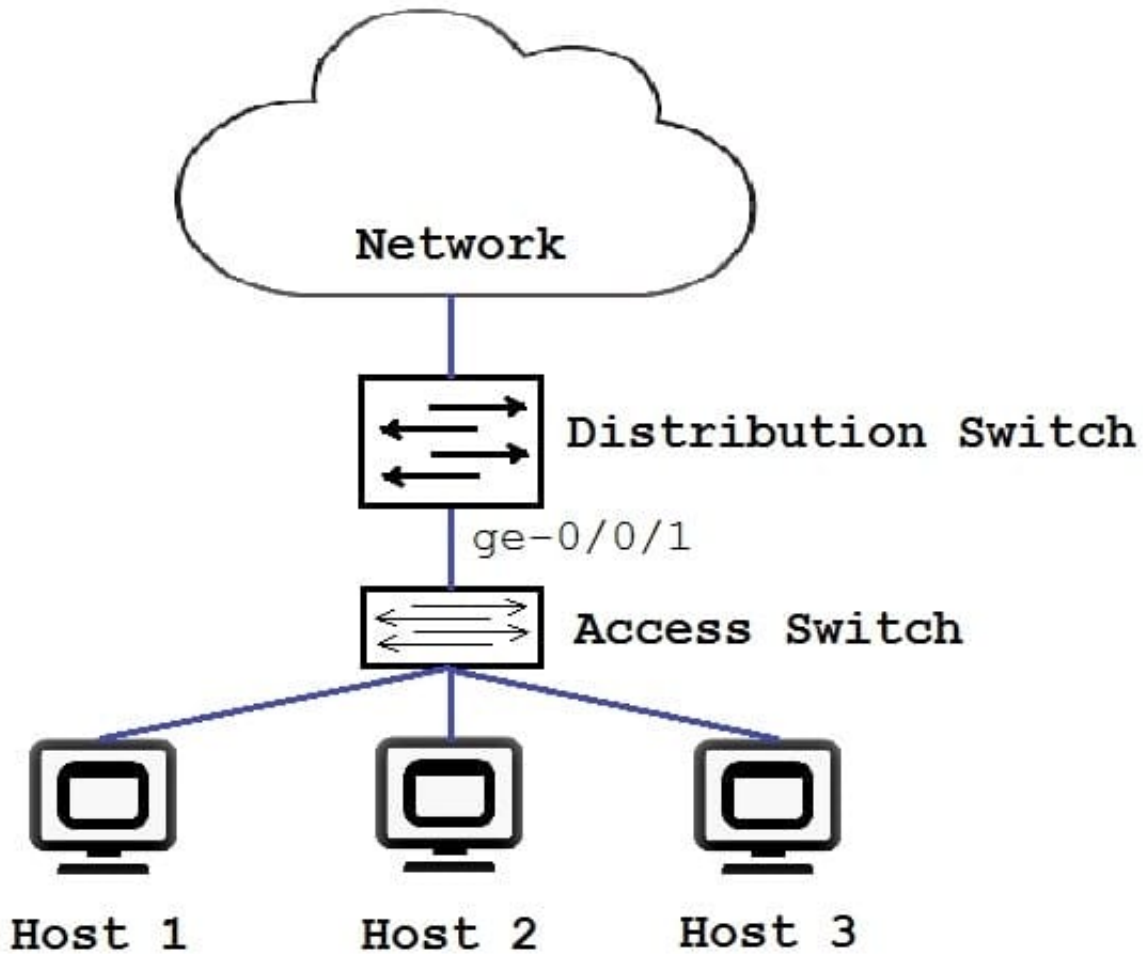
Which two statements about MVRP are correct? (Choose two.)

- A. MVRP monitors interfaces using VSTP and dynamically creates VLANs as necessary
- B. MVRP PDUs are sent to other switches as periodic intervals.
- C. MVRP can propagate dynamic VLANs created on one switch to another switch
- D. MVRP is enabled by adding trunk ports under the [edit protocols mvrp] hierarchy.

Correct Answer: CD

QUESTION 12

Click the Exhibit button.



```
{master: 0} [edit]
user@switch#show protocols dot1x
authenticator {
  interface {
    ge-0/0/1.0 {
      supplicant single;
    }
  }
}
```

You have deployed the access control configuration to the distribution switch. Referring to the exhibit, which statement is true?

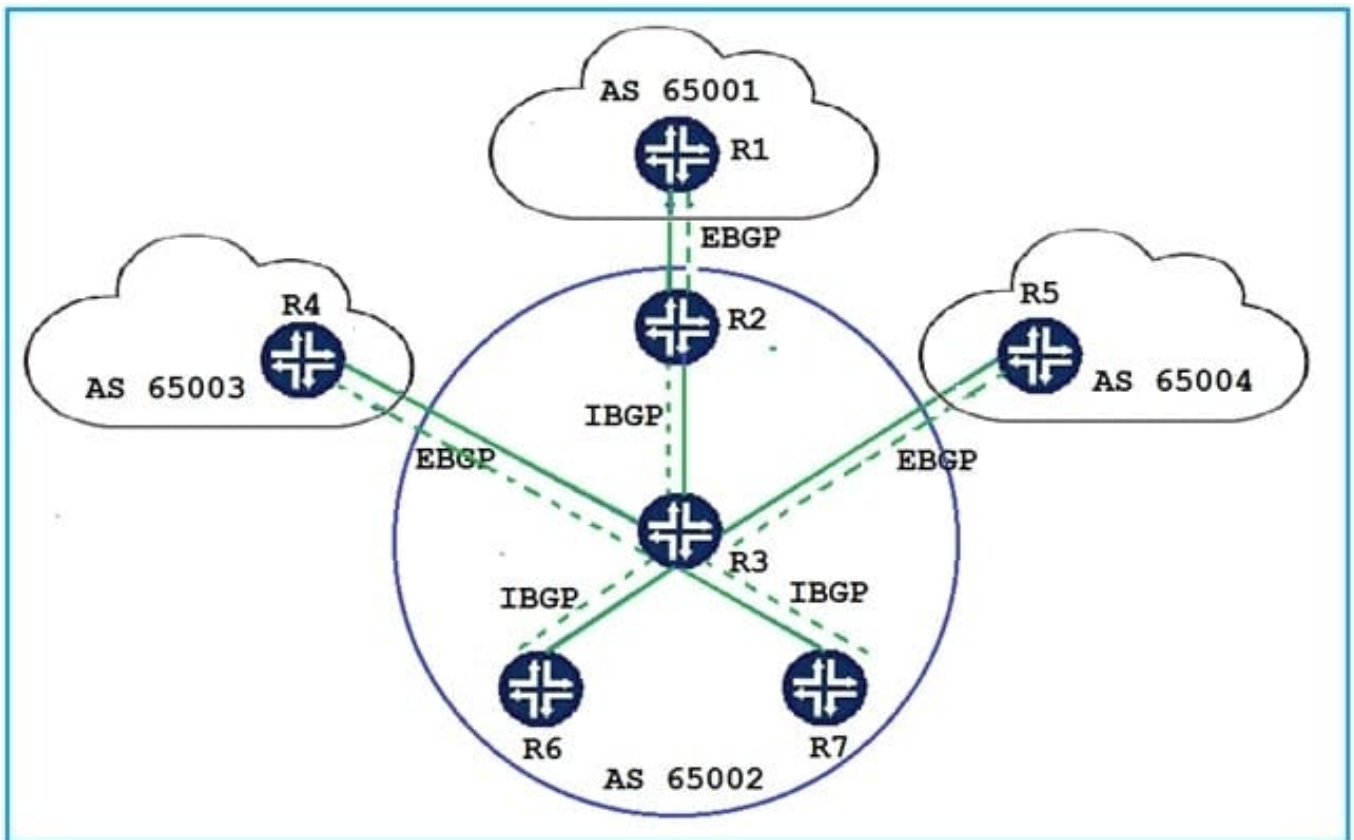
- A. All hosts connected to the access switch will have access to the work after one device authenticates.
- B. All hosts connected to the access switch require authentication to access the network.

- C. Only the first host to authenticate will have access to the network; other hosts will be blocked.
- D. All hosts connected to the access switch will have access to the network without authentication.

Correct Answer: C

QUESTION 13

Click the Exhibit button.



Router1, in peer AS 65001, advertises routes to R2 using EBGP. R2 advertises the routes learned from R1 to R3 using IBGP. R3 is configured as a route reflector with routers R6 and R7 as clients.

Referring to the exhibit, to which routers will R3 advertise the BGP routes received from R2?

- A. R6, R7
- B. R4, R5
- C. R2, R4, R5, R6, R7
- D. R4, R5, R6, R7

Correct Answer: D

QUESTION 14

You created a firewall rule to protect the Routing Engine. After applying the rule, your OSPF adjacencies dropped.

How would you solve this problem?

- A. Create a firewall term that allows IP protocol 89.
- B. Define a router ID under the [edit routing-options] hierarchy.
- C. Configure the loopback interface under the [edit protocols ospf] hierarchy.
- D. Apply the firewall filter to the physical ports.

Correct Answer: A

QUESTION 15

You are configuring a scheduler map on an EX9200 Series device. You want to ensure that traffic is dropped in a policing action once traffic exceeds the configured transmit rate.

Which configuration parameter will meet this requirement?

- A. exact
- B. rate-limit
- C. remainder
- D. percent

Correct Answer: B

[Latest JN0-647 Dumps](#)

[JN0-647 Study Guide](#)

[JN0-647 Brindumps](#)