

JN0-1361^{Q&As}

Service Provider Design Specialist (JNCDS-SP)

Pass Juniper JN0-1361 Exam with 100% Guarantee

Free Download Real Questions & Answers **PDF** and **VCE** file from:

<https://www.certbus.com/jn0-1361.html>

100% Passing Guarantee
100% Money Back Assurance

Following Questions and Answers are all new published by Juniper
Official Exam Center

-  **Instant Download** After Purchase
-  **100% Money Back** Guarantee
-  **365 Days** Free Update
-  **800,000+** Satisfied Customers



QUESTION 1

Your customer wants to use NorthStar to communicate with network devices and acquire the MPLS topology. Which protocol is recommended for this purpose?

- A. PIM-SSM
- B. OSPF
- C. BGP-LS
- D. ISIS

Correct Answer: C

QUESTION 2

Your customer connects to their service providers using fiber-based Ethernet connections in a shared collocation room. The customer has expressed concerns about wire tapping and man-in-the-middle attacks, and has asked for your design recommendation to minimize such attacks.

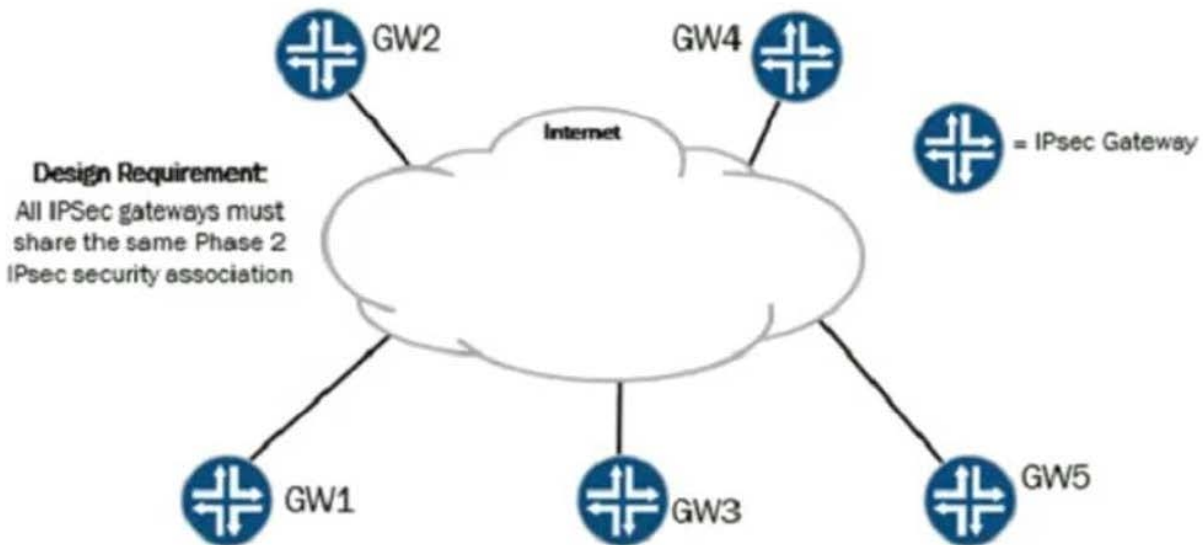
Which service addresses the customer's concern?

- A. 802 1x
- B. MACsec
- C. BGPFlowSpec
- D. 802 3ad

Correct Answer: B

QUESTION 3

Exhibit: Referring to the exhibit which type of IPsec VPN should be used to create the desired topology?



- A. AutoVPN
- B. fully meshed VPN
- C. Group VPN
- D. hub-and-spoke VPN

Correct Answer: C

QUESTION 4

What are two considerations for all WAN designs that use best industry practices? (Choose two)

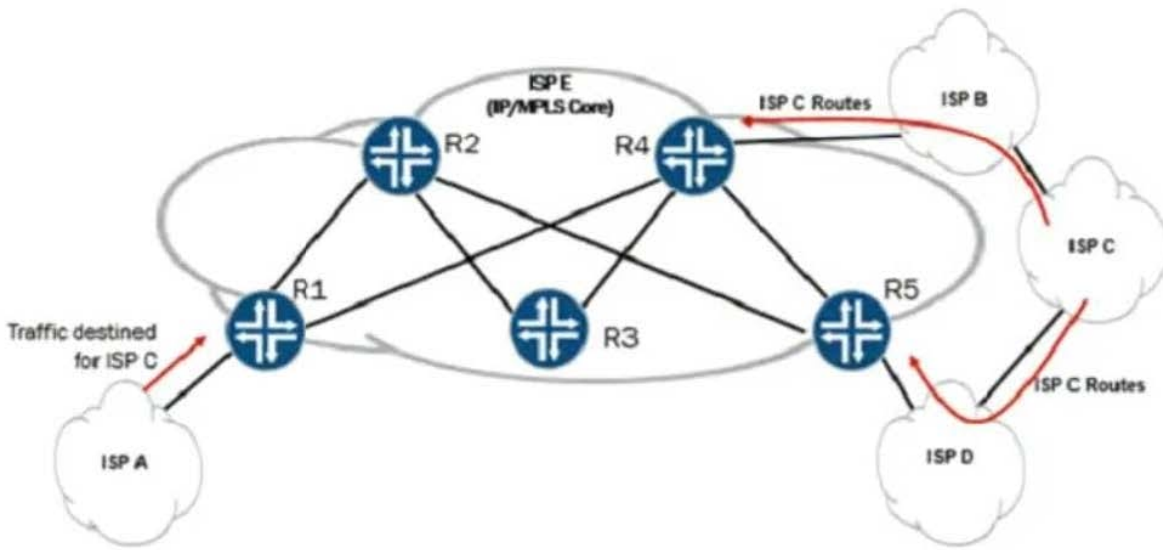
- A. to provide a dynamic routing protocol internally in the LAN
- B. to provide scalability
- C. to provide ease of deployment
- D. to provide VXLAN and EVPN solutions

Correct Answer: BC

QUESTION 5

Exhibit:

Referring to the exhibit, which two methods would be used by the designer of ISP E to ensure that traffic between ISP C and ISP A will traverse through ISP B? (Choose two.)



- A. Apply the BGP import policy (to EBGP peers) on R4 and/or R5 to adjust the local preference on the ISP C routes so that the path through ISP B is more preferred
- B. Apply the BGP export policy (to IBGP peers) on R4 and R5 to adjust the MED on the ISP C routes so that the path through ISP D is less preferred.
- C. Apply the BGP import policy (to EBGP peers) on R4 and R5 to modify the AS PATH attribute so that the path through ISP D is less preferred.
- D. Apply the BGP import policy (to EBGP peers) on R4 to adjust the ORIGIN for the routes received from ISP B to unknown.

Correct Answer: BC

QUESTION 6

Your company is considering how to add more visibility in their WAN MPLS links. Which Juniper Networks product provides this type of traffic management?

- A. Contrail
- B. AppFormix
- C. JSA Series
- D. NorthStar

Correct Answer: D

QUESTION 7

You are creating an MPLS design proposal for a customer that requires traffic engineering features through their core MPLS network. The customer has edge routers that only support LDP signaling. Which two features would you propose using in this scenario? (Choose two)

- A. RSVP tunneling
- B. LDP
- C. RSVP
- D. LDP tunneling

Correct Answer: CD

QUESTION 8

You work for a service provider that offers L3VPN services to its customers. While designing L3VPN solutions for customers, you sometimes need to share routes between routing instances as part of the design.

What are two reasons for sharing routes between routing-instances? (Choose two)

- A. so customers can reach the Internet
- B. to allow the service provider's OoB network to be reachable by customers
- C. so customers can reach the service provider's public cloud infrastructure
- D. to support network address translation

Correct Answer: AC

QUESTION 9

You work for an organization providing hosting services for customer application VMs. Traditionally, your organization maintained isolation between customer workloads by assigning unique VLAN IDs to each customer network. Your organization is approaching the upper limit of 4094 VLANs available to uniquely identify customer networks. You need to alleviate this limitation and provide more than 4094 unique network identifiers. Which technology would satisfy these requirements?

- A. VXLAN
- B. MPLS
- C. MP-BGP
- D. EVPN

Correct Answer: A

QUESTION 10

You are asked to improve the convergence time in your large enterprise WAN. Each branch office network

is multihomed to two central aggregation points using BGP.

Which action would satisfy the requirement?

- A. Provision more WAN bandwidth.
- B. Increase interface hold timers.
- C. Decrease interface hold timers.
- D. Use Bidirectional Forwarding Detection.

Correct Answer: D

QUESTION 11

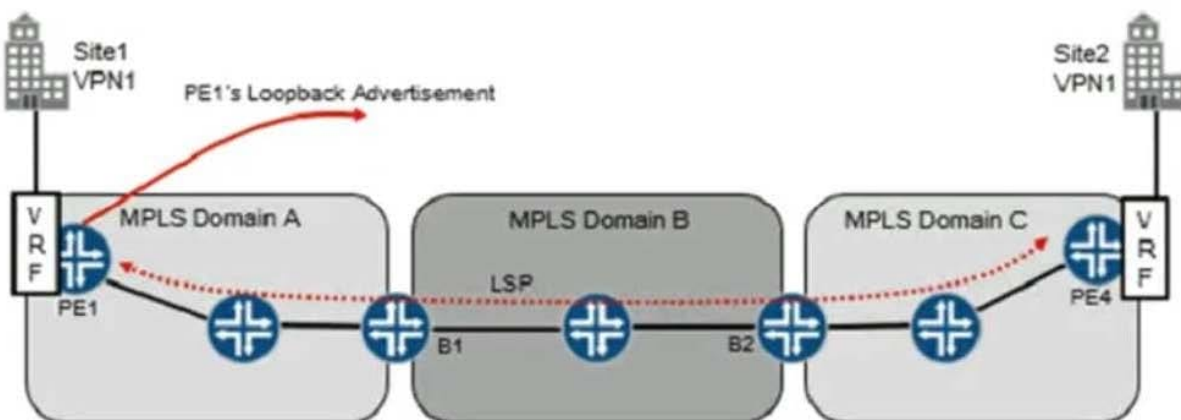
Which technology allows a router to continue to forward packets even if the routing protocol adjacencies go down?

- A. nonstop bridging
- B. nonstop routing
- C. graceful restart
- D. graceful Routing Engine switchover

Correct Answer: C

QUESTION 12

Click the Exhibit button Referring to the network design shown in the exhibit, you must ensure that VPN data between Site1 and Site2 will be earned over a single end-to-end LSP. How would you advertise PE1's loopback address to accomplish this task?



- A. over a single MP-IBGP session (L3VPN NLRI) between PE1/PE4
- B. over BGP-LU sessions between the PE1/B1. B1/B2 and B2/PE4

- C. over a single IBGP session (IPv4 unicast NLRI) between PE VPE4
- D. over a single EBGP session (IPv4 unicast NLRI) between PE1/PE4

Correct Answer: B

QUESTION 13

What is the minimum number of nodes in a Junos Space Fabric design?

- A. 2
- B. 3
- C. 5
- D. 1

Correct Answer: D

QUESTION 14

MPLS services are being delivered from provider edge (PE) routers Each PE is connected to multiple customer edge (CE) routers.

What should you use on the PE to isolate customer routes?

- A. VPN routing and forwarding tables
- B. access control lists
- C. external BGP
- D. port access control lists

Correct Answer: A

QUESTION 15

What are two ways that allow BGP route reflectors to advertise more optimal IGP next hops? (Choose two)

- A. UseBGP-ORR.
- B. Use SPRING.
- C. Implement route reflectors at each POP.
- D. Implement a centralized route reflector.

Correct Answer: AD

[JN0-1361 Practice Test](#)

[JN0-1361 Study Guide](#)

[JN0-1361 Braindumps](#)