

HPE6-A72^{Q&As}

Aruba Certified Switching Associate Dumps

Pass HP HPE6-A72 Exam with 100% Guarantee

Free Download Real Questions & Answers **PDF** and **VCE** file from:

<https://www.certbus.com/hpe6-a72.html>

100% Passing Guarantee
100% Money Back Assurance

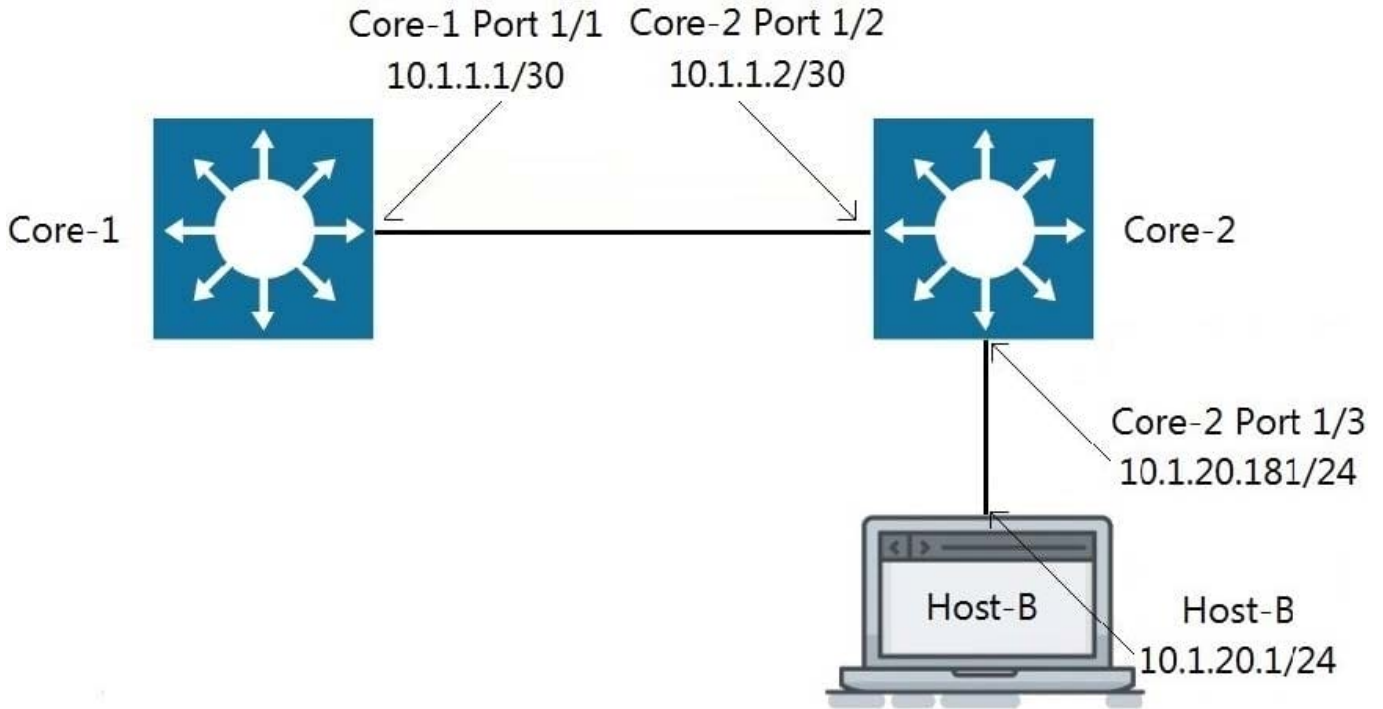
Following Questions and Answers are all new published by HP Official Exam Center

- ⚙️ **Instant Download** After Purchase
- ⚙️ **100% Money Back** Guarantee
- ⚙️ **365 Days** Free Update
- ⚙️ **800,000+** Satisfied Customers



QUESTION 1

Refer to the exhibit.



Traffic is failing between Core-1 and Host-B. IP addressing has correctly been applied, and all interfaces are attached to the vrf GREEN.

Which configuration will correct the issue?

- A. Core-2(config)# ip route 0.0.0.0/0 10.1.1.1 vrf GREEN Host-B: assign the default-gateway address 10.1.20.181
- B. Core-1(config)# ip route 10.1.20.0/24 10.1.1.2 vrf GREEN Host-B: assign the default-gateway address 10.1.20.181
- C. Core-1(config)# ip route 10.1.20.0/24 10.1.1.2 vrf GREEN Host-B: assign the default-gateway address 10.1.20.1
- D. Host-B: assign the default-gateway address 10.1.20.181

Correct Answer: B

QUESTION 2

DRAG DROP

Match the terms to the correct layer of the OSI model.

Select and Place:

Layer

- Transport Layer
- Network Layer
- Physical Layer
- Data Link Layer

Term

- Frames
- Packets
- RF Signals
- Segments

Correct Answer:

Layer

-
-
-
-

Term

- Data Link Layer
 - Network Layer
 - Physical Layer
 - Transport Layer
- Frames
 - Packets
 - RF Signals
 - Segments

QUESTION 3

Refer to the exhibit.

```
Access-1# debug l2mac event
Access-1# debug destination buffer
Access-1# page
```

```
show debug buffer
-----
-----
2020-05-06:22:32:52. 601427|l2mac-mgrd|LOG_DEBUG|AMM|-|L2MAC|L2MAC_EVENT|macmgr_m
ac_manager_handle_mac_event(1311), MAC=00:50:79:66:68:01, VLAN=1, Port=1/1/1 is
trying to be inserted
2020-05-06:22:32:52. 602027|l2mac-mgrd|LOG_DEBUG|AMM|-|L2MAC|L2MAC_EVENT|macmgr_m
ac_manager_handle_mac_event(1328), MAC=00:50:79:66:68:01 was successfully inserted
```

What command will display the debug l2mac events?

- A. show module L2MAC
- B. show debug terminal
- C. show debug buffer module L2MAC
- D. show debug all

Correct Answer: C

Reference: <https://community.arubanetworks.com/blogs/esupport1/2021/03/17/aos-cx-debugging-mac-address-movement>

QUESTION 4

Refer to the exhibit

```
Access-1(config)# show vlan
-----
VLAN  Name                Status  Reason                    Type         Interfaces
-----
1     DEFAULT_VLAN_1        up      ok                        default      1/1/1-1/1/28
50    Engineering           down    no_member_port          static
```

What is true regarding VLAN 50 according to the diagram above?

- A. VLAN 50 is part of a switched virtual interface (SVI) that was never routed causing it to be down.
- B. Since VLAN 50 has not been assigned to any enabled physical port, the status is down.
- C. VLAN 50 is assigned only to Trunk ports which is why no ports are listed under interfaces.

D. VLAN 50 was never added to the vlan-database and therefore is in a down state.

Correct Answer: B

QUESTION 5

What are two mechanisms supported on AOS-CX 6300 switches used in Multi-active Detection to determine the status of the Primary member? (Choose two.)

- A. Management interface split detection
- B. Peer switch-based detection
- C. Loopback keepalives
- D. ARP-based
- E. BFD

Correct Answer: AD

QUESTION 6

What is the login and password combination is used when first configuring an Aruba OS-CX switch from factory defaults?

- A. Login admin and password admin.
- B. Login admin and password field empty.
- C. Login admin and password forgetme!.
- D. Login admin and password password.

Correct Answer: B

Reference: <https://gzhl5.at/blob/ldb/b/0/1/2/02b35c2be09e0616b7f0811d9306550f376f.pdf>

QUESTION 7

What is the Link Layer Discovery Protocol?

- A. a discovery protocol used between Layer 3 devices to determine routes within a single autonomous system
- B. a standardized IPv6 neighbor discovery protocol used to replace the ARP and broadcast mechanism used in IPv4
- C. a standardized protocol for communicating directly-connected device information and capabilities.
- D. an Aruba proprietary discovery protocol supported in all Aruba switches along with Cisco Discovery Protocol or CDP

Correct Answer: C

QUESTION 8

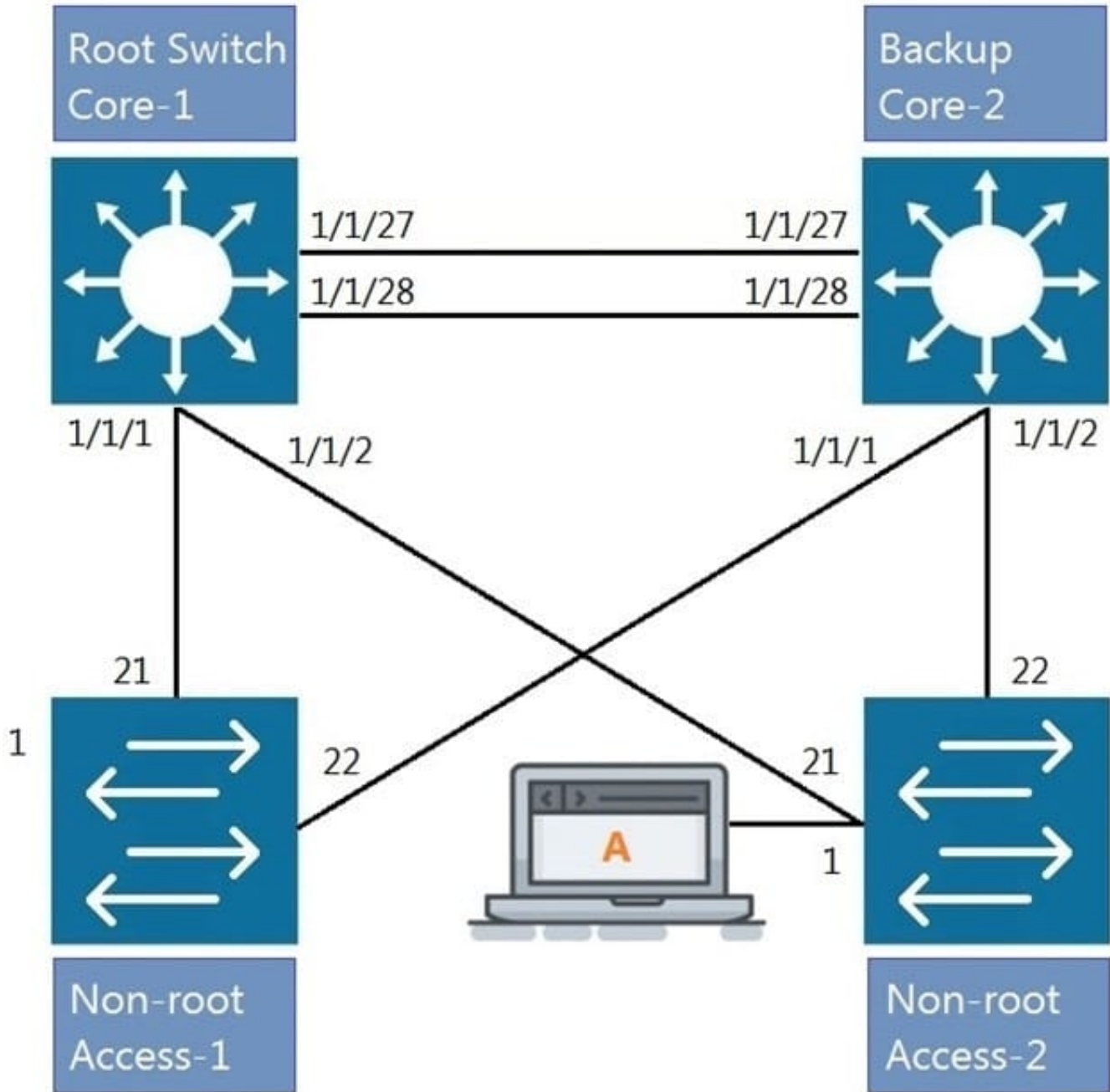
What connectivity commands are available on AOS-CX switches? (Choose two.)

- A. netstatus
- B. traceroute
- C. ping
- D. pathping
- E. tracert

Correct Answer: BC

QUESTION 9

Refer to the exhibit.



All four switches in the diagram have been configured with the region name "Aruba1".

What two other MSTP configurations must match for switches within the same MST region? (Choose two.)

- A. MST region type
- B. MST Bridge ID
- C. MST version number
- D. MST revision number
- E. MST VLAN to instance mapping

Correct Answer: DE

QUESTION 10

Which two options are the Layer 3 Routing protocols? (Choose two.)

- A. BGP
- B. LLDP
- C. OSPF
- D. MPLS
- E. 802.3ad

Correct Answer: AC

QUESTION 11

Refer to the exhibit.

```
Interface 1/1/1 is up
Admin state is up
Link transitions: 1
Description: T0_PC-1
Hardware: Ethernet, MAC Address: 00:11:22:33:44:55
MTU 1500
Type 1GbT
Full-duplex
qos trust none
Speed 1000 Mb/s
Auto-negotiation is on
Flow-control: off
Error-control: off
MDI mode: MDIX
VLAN Mode: access
Access VLAN: 1111
```

Which command will produce the above output?

- A. show interface vlan 1111
- B. show interface gigabit 1/1/1
- C. show vlan 1111
- D. show interface 1/1/1

Correct Answer: D

QUESTION 12

Which field in the IPv4 header indicates whether the IP packet carries TCP or UDP traffic?

- A. Protocol
- B. IHL
- C. TTL
- D. Identification

Correct Answer: A

QUESTION 13

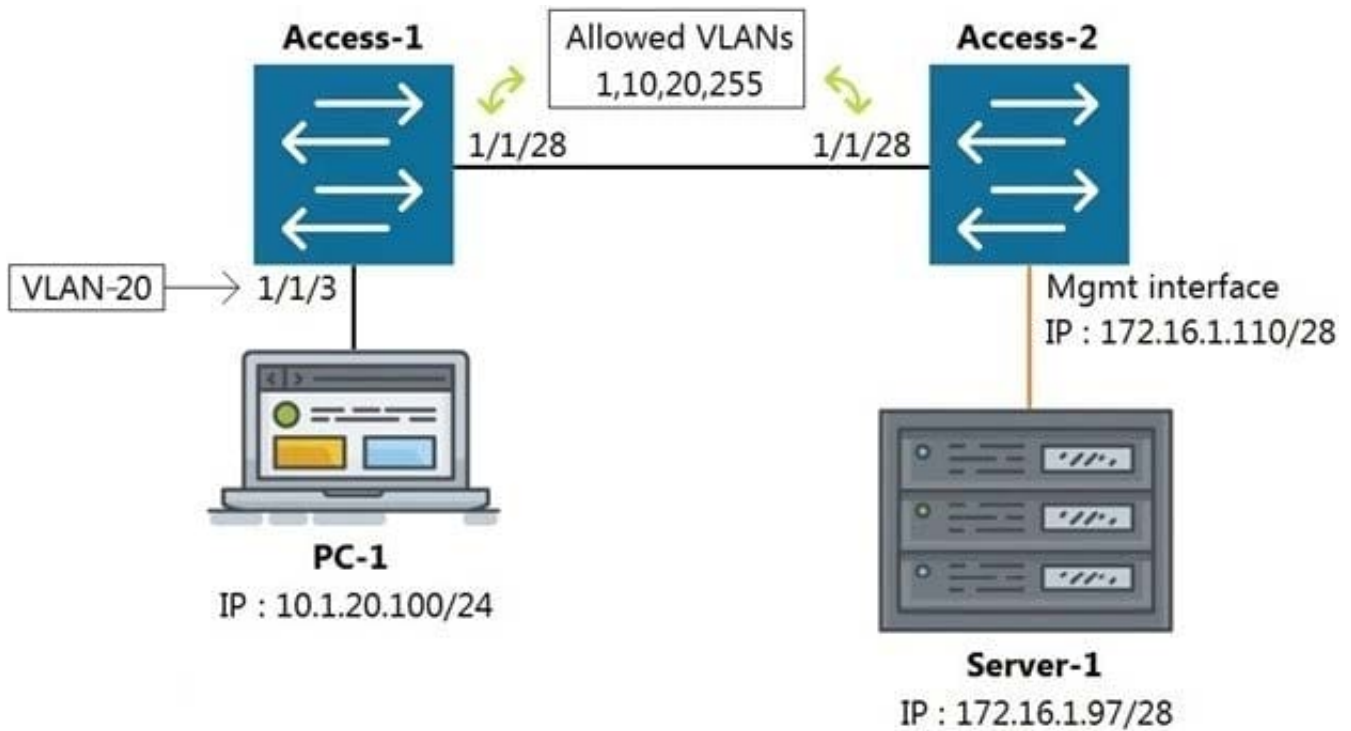
Which port or ports should be allowed through a firewall so that an AOS-CX switch can act as an SNMP Agent?

- A. UDP 1812 and UDP 1813
- B. UDP 161
- C. TCP 443
- D. UDP 162

Correct Answer: B

QUESTION 14

Refer to the exhibit.



All switches are running Aruba OS-CX. While working in the terminal of Access-2, you are unable to reach Server-1 using SSH. What is the correct command to ping Server-1 from Access-2 to test reachability?

- A. Access-2# ping6 172.16.1.97 vrf mgmt
- B. Access-2# ping 172.16.1.97
- C. Access-2# ping 172.16.1.97 vrf default
- D. Access-2# ping 172.16.1.97 vrf mgmt

Correct Answer: D

QUESTION 15

ServiceOS login: admin

SVOS> password

Enter password: *****

Confirm password: *****

The login password to access an Aruba AOS-CX was lost. After connecting to the switch console port, a reboot is performed and the Service OS console is accessed as shown above.

What is the default password that is required for the admin account while under the Service OS console?

- A. No password is set for this account.
- B. "password"

C. "forgetme!"

D. The same login password that has lost originally.

Correct Answer: C

Reference: https://www.arubanetworks.com/techdocs/ArubaOS_83_Web_Help/Content/ArubaFrameStyles/ManagementUtilities/enab_radsec_reset_admin_enabl_pwd.htm

[HPE6-A72 PDF Dumps](#)

[HPE6-A72 Practice Test](#)

[HPE6-A72 Exam Questions](#)