

# HPE6-A47<sup>Q&As</sup>

Designing Aruba Solutions

**Pass HP HPE6-A47 Exam with 100% Guarantee**

Free Download Real Questions & Answers **PDF** and **VCE** file from:

<https://www.certbus.com/hpe6-a47.html>

100% Passing Guarantee  
100% Money Back Assurance

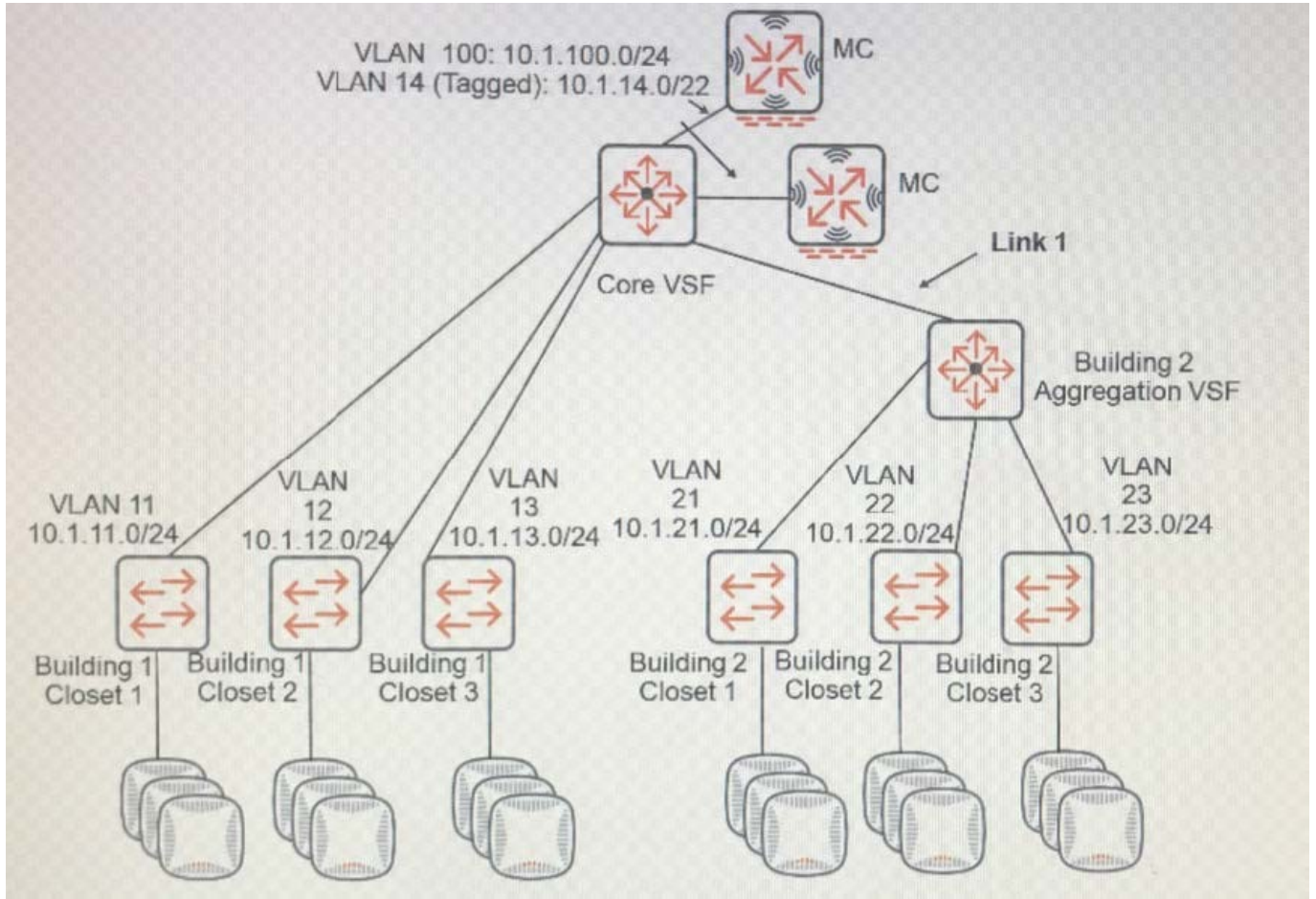
Following Questions and Answers are all new published by HP Official Exam Center

- ⚙️ **Instant Download** After Purchase
- ⚙️ **100% Money Back** Guarantee
- ⚙️ **365 Days** Free Update
- ⚙️ **800,000+** Satisfied Customers



**QUESTION 1**

Refer to the exhibit.



The customer needs to expand its wired and wireless network to a new building, Building 2, which is near the existing building, Building 1. The exhibit shows the logical plan that the architect has created so far. The aggregation layer switches in the new building should provide the default gateway services for the VLANs in the new building and route traffic to the core. The existing Aruba Mobility Controllers (MCs) will control the new APs.

What should be the VLAN assignment for Link 1, indicated in the exhibit?

- A. an unused VLAN such as 200
- B. VLANs 21, 22, and 23 only
- C. VLANs 11, 12, 13, 21, 22, and 23
- D. the default VLAN and VLAN 14

Correct Answer: C

**QUESTION 2**

An architect needs to help a customer design a management and monitoring solution for an Aruba network in an airport. The solution consists of an Aruba Mobility Master (MM), Aruba 7210 MCs, Aruba AP-335s, and Aruba 5496R switches.

The architect plans to recommend Aruba AirWare.

The airport has a high-client device turnover and many highly mobile devices. Which changes should the architect make to the recommended solution based on this characteristic?

- A. Recommend additional hardware resources beyond those recommended for the typical tested AirWare platform.
- B. Recommend extra AirWare device licenses to support the changing number of client devices.
- C. Recommend Aruba Central with a Clarity subscription as a more flexible cloud-based solution.
- D. Recommend Aruba Central with guest access licensing to increase guest visibility.

Correct Answer: B

---

### QUESTION 3

An architect plans to deploy a Mobility Controller (MC) at one building in subnet 10.23.01.0/24 and another MC in another building in subnet 10.44.12.0/24. The MCs need to provide redundancy for each other.

What must the architect take into account in the redundancy plan?

- A. The MCs cannot provide any level of redundancy for each other unless one is moved into the other's subnet.
- B. The MCs cannot be in a cluster, and they must use Virtual Router Redundancy Protocol (VRRP) to provide redundancy for each other.
- C. The MCs can be in a cluster, but the cluster will not support features such as stateful failover.
- D. Each MC can be the backup LMS for the other MCs' APs, but it cannot be in a cluster with the other MC.

Correct Answer: B

---

### QUESTION 4

Refer to the exhibit. Exhibit 1.

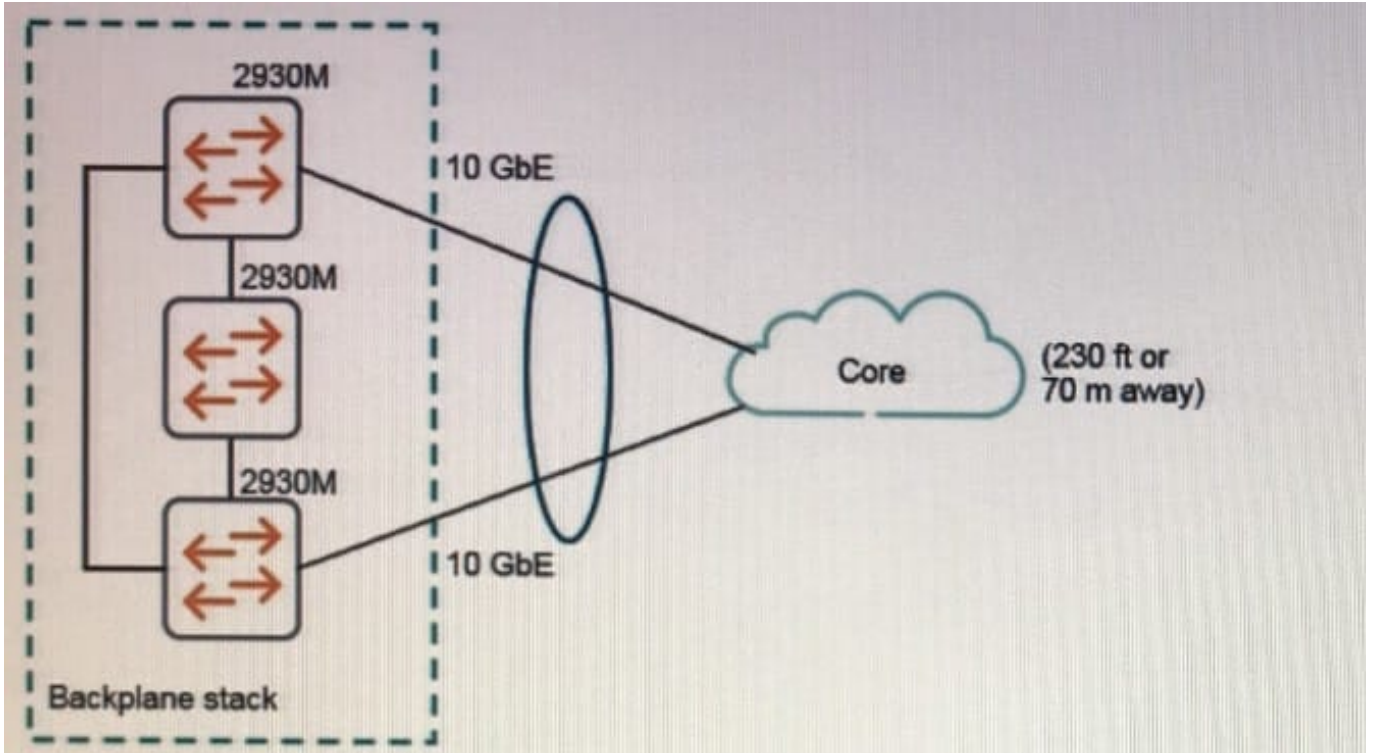


Exhibit 2.

Line#	Part Number	Description	Manufacturer	Unit Price	Quantity	Total	Price List
1.00	JL321A	Aruba 2930M 48G 1-slot Switch	Hewlett Packard Enter...	\$5,419.00	3	\$16,257.00	USA Price List (USD)
1.01	H2BR5E	HPE 3Y FC 4H Exch A 2930M 48G Swt SVC [for JL321A]	Hewlett Packard Enter...	\$1,635.00	3	\$4,905.00	USA Price List (USD)
1.02	U4830E	HPE Networks Stackable Leg Startup SVC [for JL321A]	Hewlett Packard Enter...	\$1,325.00	3	\$3,975.00	USA Price List (USD)
1.03	JL085A	Aruba X371 12VDC 250W Power Supply	Hewlett Packard Enter...	\$439.00	3	\$1,317.00	USA Price List (USD)
1.04	JL085A	ABA INCLUDED: Power Cord - U.S. localization	Hewlett Packard Enter...	incl.	3		
1.05	JL083A	Aruba 3810M/2930M 45FP+ MACsec Module	Hewlett Packard Enter...	\$1,259.00	2	\$2,518.00	USA Price List (USD)
1.06	J9150A	HPE X132 10G SFP+ LC SR Transceiver	Hewlett Packard Enter...	\$1,040.00	2	\$2,080.00	USA Price List (USD)
<b>Quote Total</b>						<b>\$31,052.00</b>	

Exhibit 1 shows the logical plan, and Exhibit 2 shows the BOM that the administrator has made in Iris. What is missing from the IRIS BOM?

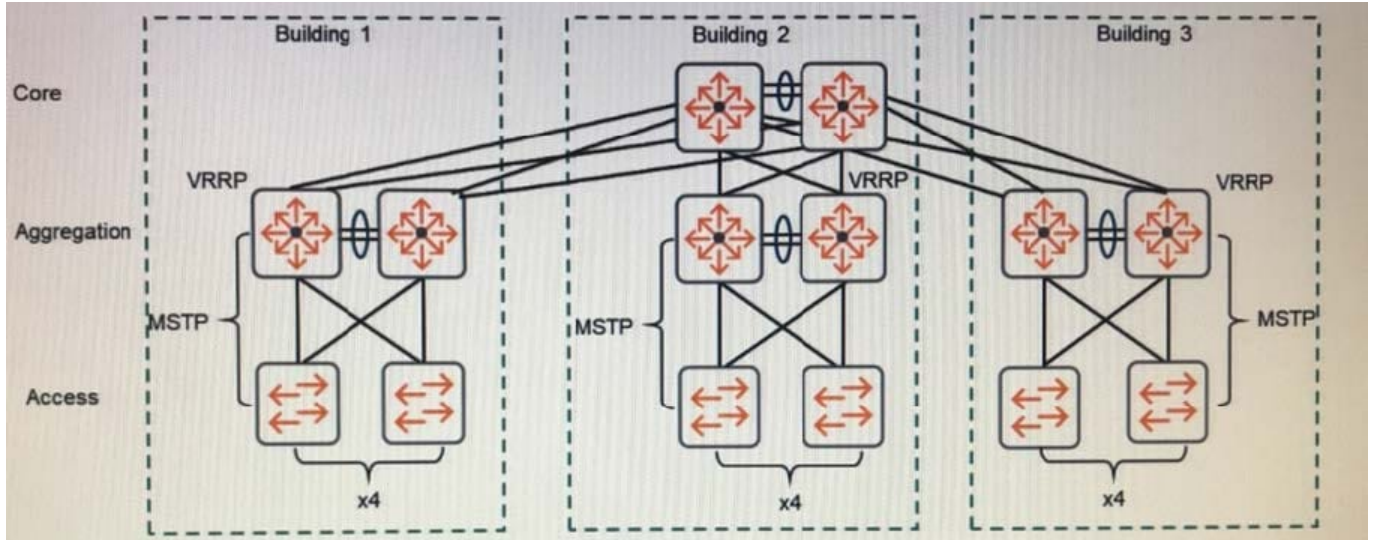
- A. stacking modules and cables
- B. stacking licenses
- C. 10 GbE direct attach cables
- D. an uplink module for one of the switches

Correct Answer: C

**QUESTION 5**

Refer to the exhibit.





A customer wants to replace the core and aggregation layer of an existing network. Currently the network routes between the aggregation layer and core, and uses the technologies shown in the exhibit.

The customer now wants to route at the core, instead of the aggregation layer, and extend some of the same VLANs in different buildings.

However, the customer cannot eliminate the aggregation layer at this point. What should the architect recommend?

- A. Create a backplane stack at the aggregation layer and a VSF fabric at the core.
- B. Implement broadcast filtering on switch-to-switch links across all of the buildings.
- C. Combine all switches in the aggregation layer and core into a single backplane stack.
- D. Use VRRP on the core and aggregation switches, with the aggregation switches acting as standby.

Correct Answer: C

### QUESTION 6

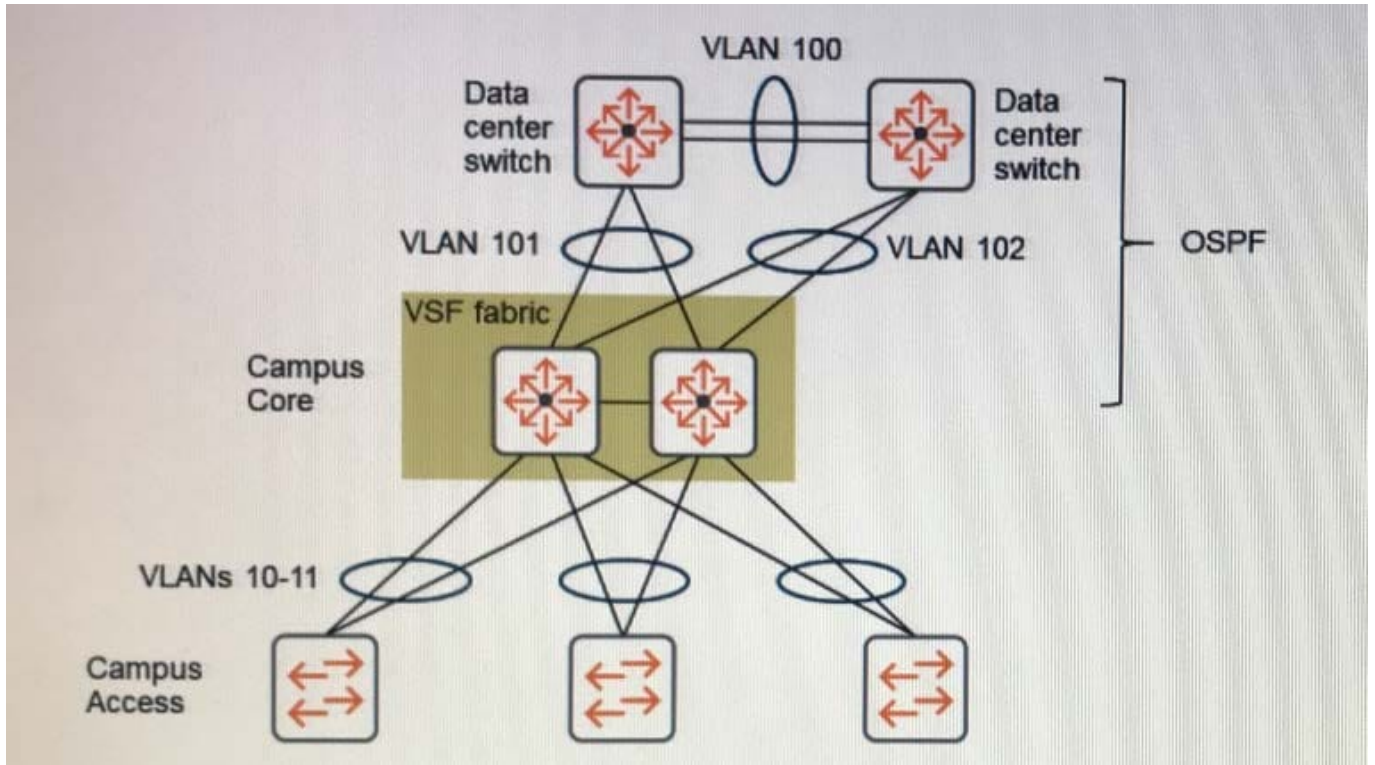
An architect needs to plan an 802.11ac wireless upgrade for a university building. What is one reason that it is important for the architect to identify auditoriums?

- A. Auditoriums typically require a high-density AP design for RF coverage.
- B. Users in Auditoriums often have Bluetooth devices, which can be a source of interference in the 5 GHz band.
- C. Auditoriums typically require the use of 80 MHz channels to meet bandwidth requirements.
- D. Auditoriums often require the use of DFS channels for sufficient 20 MHz channels.

Correct Answer: D

### QUESTION 7

Refer to the exhibit.



The customer requires fast failover if any one link or core device fails.

Which additional technology should the architect plan on the core VSF fabric to meet these criteria?

- A. OSPF graceful restart
- B. SmartLink
- C. BGP
- D. VRRP

Correct Answer: C

**QUESTION 8**

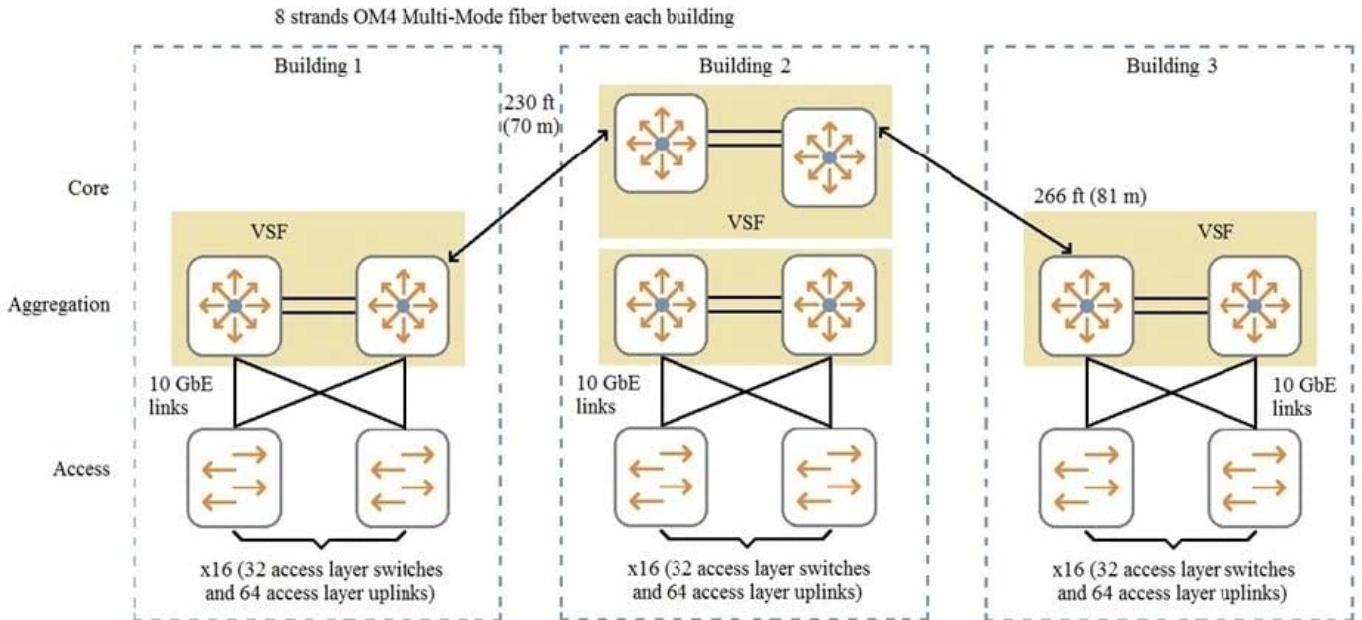
A customer needs a wireless solution upgrade. Among the devices that need wireless access are printers. What information about the printers does the architect need to plan the wireless solution? (Select two.)

- A. whether the printers are physically locked down
- B. the identify of users who need to access printers
- C. whether the printers support Power over Ethernet (PoE)
- D. whether the printers support 802.1X
- E. the 802.11 standards supported by the printer

Correct Answer: C

**QUESTION 9**

Refer to the exhibit.



An architect selects 5406R switches for the aggregation layer.

What is the maximum bandwidth possible between the aggregation and core layers using 8 strands of OM4 MM fiber at the distances indicated in the diagram?

- A. 60 Gbps
- B. 160 Gbps
- C. 200 Gbps
- D. 320 Gbps

Correct Answer: D

**QUESTION 10**

A plan includes these security settings for the employee WLAN:

1.  
WPA2-Enterprise with AES encryption
- 2.

802.1X with PEAP-MSCHAPv2

However, the customer wants to use certificates to authenticate user devices.

Which change brings the plan in alignment with the customer requirements?

- A. Use EAP-TLS instead of PEAP-MSCHAPv2
- B. The TKIP encryption instead of AES.
- C. Add WPA2-PSK as an alternative to WPA2-Enterprise.
- D. Add Tunneled TLS (TTLS) as an alternative to PEAP-MSCHAPv2.

Correct Answer: D

---

### QUESTION 11

An architect proposes the following Aruba solutions:

1.  
Two Virtual Mobility Masters (VMMs)
2.  
Six 7030 Mobility Controllers (MCs)
3.  
300 APs

In addition to any necessary AP, PEF, and RFP licenses, which license package should the architect propose?

- A. six LIC-MM-VA-50
- B. one LIC-MC-VA-250 and one LIC-MC-VA-50; one LIC-MM-VA-500
- C. one LIC-MM-VA-500
- D. one LIC-MC-VA-250 and one LIC-MC-VA-50; six LIC-MM-VA-500

Correct Answer: C

---

### QUESTION 12

An architect proposes an Aruba solution with a hardware Mobility Master (MM) to a customer. The customer has a disaster recovery site which is connected to the main site at Layer 3. The customer requires the MM to remain available in case of a total site failure.

Which plan meets the customer requirements?

- A. Deploy a hardware MM to the disaster recovery site and set up VRRP between them.



- B. Deploy a hardware MM to the disaster recovery site and set its IP address as the standby master for MCs.
- C. Deploy the virtual MM (VMM) to the disaster recovery site and set the VMM IP address to the same address as the hardware MM.
- D. Deploy the virtual MM (VMM) to the disaster recovery site and configure clustering on the hardware and software appliances.

Correct Answer: A

---

### QUESTION 13

For which scenario should an architect recommend Aruba Central Managed Portal (MSP)?

- A. for a service provider who needs to monitor multi-vendor environments
- B. for an enterprise that needs to manage data center services together with the network
- C. for a service provider who needs to manage multiple customer networks
- D. for an enterprise with many branches that needs to manage services centrally

Correct Answer: D

---

### QUESTION 14

A customer needs a wired network solution that can recognize and prioritize a wide array of different types of traffic, including casual Web browsing, voice, video, SAP Online, and file sharing.

The architect needs to choose between the Aruba 2930F or the 2540 Switch Series for the access layer switch.

Why would the architect choose the 2930F rather than the 2540 Switch Series for this customer?

- A. The 2930F Series supports LLDP-MED for detecting VoIP traffic, while the 2540 Series does not.
- B. The 2930F Series supports advancing routing, including multi-area OSPF, while the 2540 Series does not.
- C. The 2930F Series supports more options for class-based QoS policies than the 2540 Series.
- D. The 2930F Series can provide better congestion management with its much deeper buffers.

Correct Answer: D

---

### QUESTION 15

A customer requires high availability for wireless services, including stateful failover for user connections if the Mobility Controller (MC) that handles the user traffic fails.

What is the requirement for the design?

- A. MCs are deployed in a cluster, and they are on the same VLAN

- B. MCs are distributed across each VLAN on which APs are deployed and have VRRP enabled.
- C. MCs have a standby master IP address assigned to them.
- D. MCs have enough licenses to support the APs for which they are active and standby MC.

Correct Answer: B

[Latest HPE6-A47 Dumps](#)

[HPE6-A47 VCE Dumps](#)

[HPE6-A47 Study Guide](#)