

HPE0-V14^{Q&As}

Building HPE Hybrid IT Solutions

Pass HP HPE0-V14 Exam with 100% Guarantee

Free Download Real Questions & Answers **PDF** and **VCE** file from:

<https://www.certbus.com/hpe0-v14.html>

100% Passing Guarantee
100% Money Back Assurance

Following Questions and Answers are all new published by HP Official Exam Center

-  **Instant Download** After Purchase
-  **100% Money Back** Guarantee
-  **365 Days** Free Update
-  **800,000+** Satisfied Customers



QUESTION 1

A customer needs a single, dual-processor server for an Enterprise Resource Planning solution for a single office. The customer application uses a mix of HDDs and SSDs and up to 3TB of RAM. Which HPE Solution should you propose?

- A. HPE Synergy Solution
- B. HPE Apollo 2000 Server
- C. HPE ML350 Gen10
- D. HPE ML110 Gen10

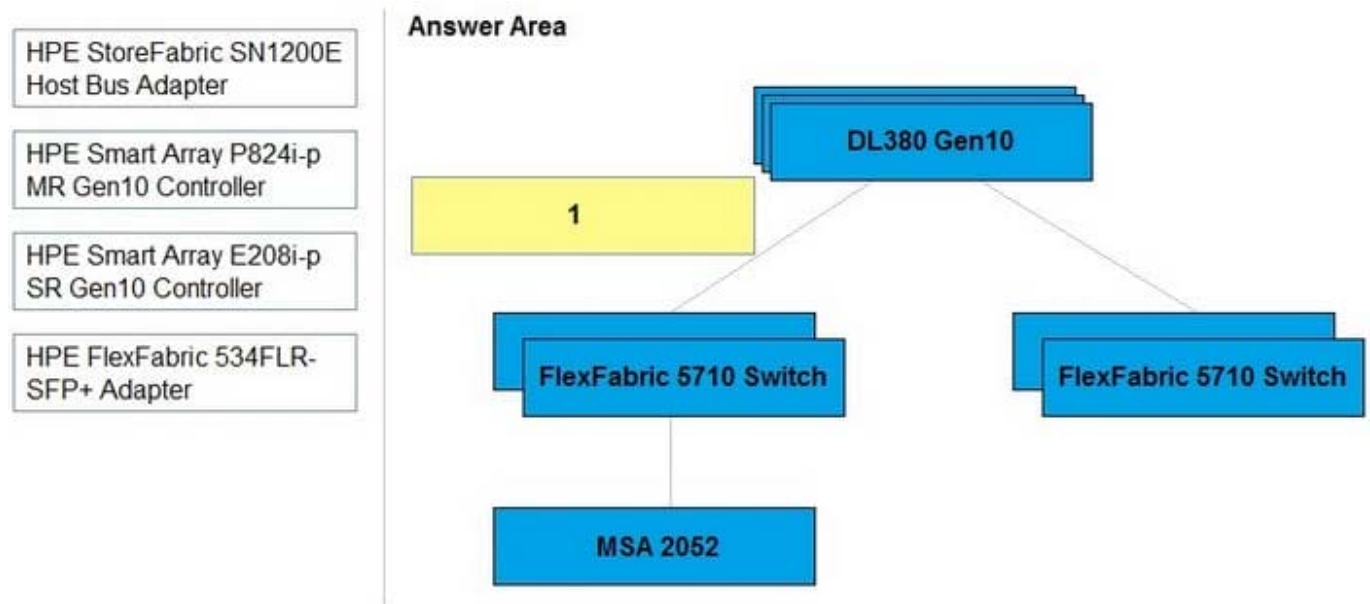
Correct Answer: D

Reference: <https://h20195.www2.hpe.com/V2/GetPDF.aspx/4AA0-8758ENW.pdf>

QUESTION 2

DRAG DROP Given the solution shown in the exhibit, which adapter is required in the server to facilitate connective in Block 1

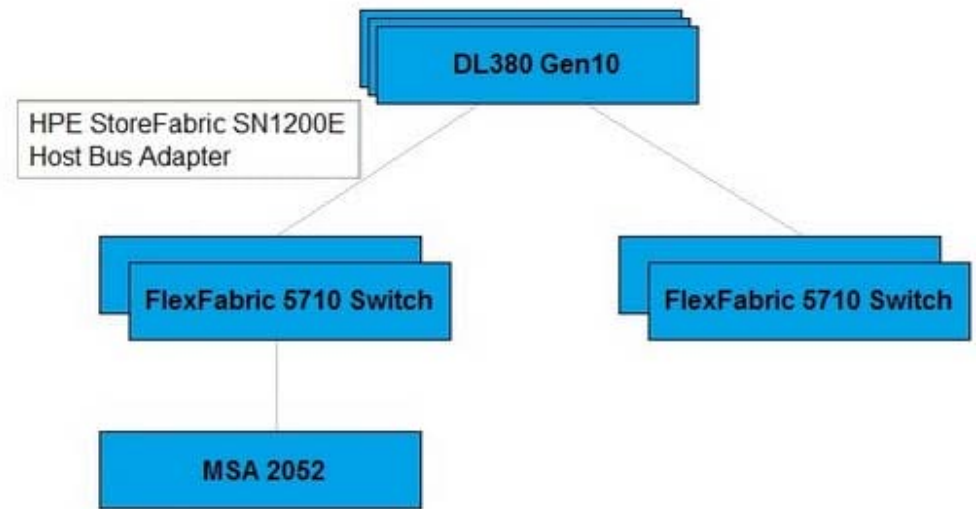
Select and Place:



Correct Answer:

- HPE Smart Array P824i-p MR Gen10 Controller
- HPE Smart Array E208i-p SR Gen10 Controller
- HPE FlexFabric 534FLR-SFP+ Adapter

Answer Area



QUESTION 3

You are working in a data center with multiple servers and need to update the iLO 5 user names and passwords on a regular basis.

Which tool enables you to streamline and automate this process?

- A. Central Management Console
- B. iLO Amplifier Pack
- C. Agentless Management
- D. RESTful API

Correct Answer: B

QUESTION 4

A customer is standardized on high-density, rack-mounted servers. They have an application that requires 3 six-drive RAID6 groups and redundant 10 Gb NICs.

What is the highest-density server that meets these customer requirements?

- A. DL580 Gen10
- B. DL360 Gen10
- C. DL380 Gen10
- D. BL460c Gen10

Correct Answer: C

QUESTION 5

A customer has a HPE OneView environment and has added all their HPE ProLiant servers and enclosures.

Which benefits does a customer gain by configuring Remote Support on their environment? (Choose two.)

- A. Support case resolutions are automatically generated for them based on real-time analyses
- B. HPE is given remote access rights to registered devices for quick and accurate problem resolution
- C. HPE Proactive Care is enabled and cases are created automatically in the event of hardware failures
- D. Proactive Scan reports and firmware/software analysis reports can be provided from collected data
- E. Real-time performance analytics result in failure predictions and online self-healing

Correct Answer: CD

QUESTION 6

What is a primary benefit of DAS?

- A. It takes advantage of Common Internet File System (CIFS).
- B. It is presented as an iSCSI LUN to the attached server.
- C. It can be accessed by both server and non-server devices simultaneously.
- D. It is connected directly to a server.

Correct Answer: D

QUESTION 7

A customer needs a storage solution to host a new virtualization platform that will host a database application. The customer is considering an HPE Nimble array.

What features would lead you to propose an HPE Nimble array over an HPE 3PAR array? (Select two.)

- A. future proof design
- B. global replication
- C. 10GD Base-T connectivity
- D. lower operating costs
- E. supports Object S3 Storage

Correct Answer: AD

QUESTION 8

Which hardware and software components make up a Nimble dHCI infrastructure?

- A. HPE M-Series switch, HPE ProLiant DL servers, HPE Nimble, and VMware
- B. Aruba Switches, HPE Synergy, HPE Nimble, and VMware
- C. HPE M-Series switch, HPE ProLiant DL servers, HPE Nimble, and Hyper-V
- D. Aruba Switches, HPE Synergy, HPE Nimble, and Hyper-V

Correct Answer: A

Reference: <https://community.hpe.com/t5/HPE-Storage-Tech-Insiders/HPE-Nimble-Storage-dHCI-Technical-Overview/ba-p/7054163#.XnxfMW5RWQ4>

QUESTION 9

Which HPE ProLiant server should you recommend for a home office environment where the server will be located in the same office as the user?

- A. HPE ML110
- B. HPE DL20
- C. HPE MicroServer
- D. HPEXL170r

Correct Answer: A

QUESTION 10

A customer needs to provide inventory management, health monitoring, status alerting, and reporting for their ProLiant servers. Which HPE management offering meets the customer's needs?

- A. OneView
- B. Insight Remote Support
- C. InfoSight
- D. Insight Online

Correct Answer: A

QUESTION 11

A customer requires an entry-level, all-flash storage system with predictable performance at the lowest possible price. They have performance-sensitive workloads that require speed and efficiency. Which HPE storage system meets the customer's requirements?

- A. 3PAR 8450
- B. MSA 2052
- C. StoreVirtual 4335
- D. Nimble AF 1000

Correct Answer: A

QUESTION 12

A customer has a single HPE ProLiant Gen 10 server.

Which embedded management tool should they use to monitor the server?

- A. HPE OneView Standard
- B. HPE Smart Update Manager
- C. NPE Intelligent Provisioning
- D. HPE iLO5

Correct Answer: B

Reference: <https://dustinweb.azureedge.net/media/483889/proliant-dl380-gen10-smb.pdf>

QUESTION 13

You are installing a DL385 GEN10 LFF server at a customer site. The customer has a P8i6i-a RAID controller in the host. After installing the provided 8 LFF disks in the front drive bays, you realize that the order also included two more SFF drives for the OS to boot from, but there are no SFF drive slots in the server, because it shipped from the factory.

Which action must be performed to finish the installation?

- A. Order the optional Premium 6 SAS/SATA+2 NVMe cage to house the two SFF drives.
- B. Install the two SFF drives in the two included SFF slots in the universal Media Bay.
- C. Give the two SFF drives to the customer to keep on-site in case of future drive failure.
- D. Order the optional 2-SFF rear drive box to house the two SFF drives.

Correct Answer: D

QUESTION 14

DRAG DROP

Match the characteristic to the correct HPE ProLiant family.

Select and Place:

Answer Area

	<input type="text"/>	maximum 2 processors
<input type="text" value="DL"/>	<input type="text"/>	maximum 4 processors
<input type="text" value="ML"/>	<input type="text"/>	rack optimized
	<input type="text"/>	tower or rack

Correct Answer:

Answer Area

	<input type="text" value="ML"/>	maximum 2 processors
<input type="text" value="DL"/>	<input type="text" value="DL"/>	maximum 4 processors
<input type="text" value="ML"/>	<input type="text" value="DL"/>	rack optimized
	<input type="text" value="ML"/>	tower or rack

Reference: <https://www.hpe.com/uk/en/product-catalog/servers/proliant-servers/pip.specifications.hpe-proliant-dl380-gen10-server.1010026818.html>

QUESTION 15

DRAG DROP

Match each characteristic to the correct storage type.

Select and Place:

Answer Area

	<input type="checkbox"/>	maximum 2 processors
<input type="checkbox"/> DL	<input type="checkbox"/>	maximum 4 processors
<input type="checkbox"/> ML	<input type="checkbox"/>	rack optimized
	<input type="checkbox"/>	tower or rack

Correct Answer:

Answer Area

	<input type="checkbox"/> ML	maximum 2 processors
<input type="checkbox"/> DL	<input type="checkbox"/> DL	maximum 4 processors
<input type="checkbox"/> ML	<input type="checkbox"/> DL	rack optimized
	<input type="checkbox"/> ML	tower or rack

Reference: <https://www.hpe.com/uk/en/product-catalog/servers/proliant-servers/pip.specifications.hpeproliant-dl380-gen10-server.1010026818.html>

[HPE0-V14 PDF Dumps](#)

[HPE0-V14 Study Guide](#)

[HPE0-V14 Braindumps](#)