

HPE0-S58^{Q&As}

Implementing HPE Composable Infrastructure Solutions

Pass HP HPE0-S58 Exam with 100% Guarantee

Free Download Real Questions & Answers **PDF** and **VCE** file from:

<https://www.certbus.com/hpe0-s58.html>

100% Passing Guarantee
100% Money Back Assurance

Following Questions and Answers are all new published by HP Official Exam Center

-  **Instant Download** After Purchase
-  **100% Money Back** Guarantee
-  **365 Days** Free Update
-  **800,000+** Satisfied Customers



QUESTION 1

Which HPE Synergy D3940 storage module configuration is valid?

- A. a single RAID set to be shared across the SAS fabric to multiple compute nodes as a virtualization host datastore
- B. maximum of three HPE Synergy D3940 storage modules per frame to be used by any compute module within the management ring
- C. any number of the drives from storage module to be mapped to any single compute node
- D. a pair of disks to house Composer backups and Synergy firmware bundles

Correct Answer: A

QUESTION 2

Refer to the exhibit.

OneView StorageSystemName:h4157

Storage Pools 5 All statuses All labels All resources

Name	Storage System	State
FC_r6	h4157	Discovered
fs_cpg	h4157	Discovered
NL_r6	h4157	Discovered
Team_1_CPG	h4157	Managed
Team_2_Tune	h4157	Managed

An integrator needs to create a volume on the FC_r6 CPG using HPE Composer, but the CPG is not available for provisioning. The integrator checked the Storage Pools section, and the CPG is visible. What must the integrator do to enable volume provisioning on this CPG?

- A. Select this CPG in the HPE Composer, select Edit from the Action menu, and change the CPG state to Managed
- B. Navigate to the Storage Systems section in the HPE Composer, select the 3PAR array, and re-import required CPG
- C. Login to the SSMC and add the HPE Composer certificate for the CPGs which are in the Discovered state
- D. Login to the HPE SSMC and remove the read only parameter for this CPG

Correct Answer: D

QUESTION 3

An integrator is installing three Synergy frames in different locations for a customer. As part of the installation, the customer requests a single monitoring dashboard that shows the current hardware status, warranty status, and open support cases of all three frames.

Which configuration steps must the integrator perform to provide the customer with this functionality?

- A. Enable Remote Support and Insight Online Integration in the Composer UI
- B. Install Insight Remote Support Advanced, and integrate it with HPE Global Dashboard
- C. Configure OneView with iLO Amplifier pack
- D. Activate iLO Federation on all installed compute nodes

Correct Answer: C

QUESTION 4

Which policy can an integrator apply when creating a datastore using HPE OneView for vCenter Server?

- A. Data at Rest encryption policy
- B. Round Robin load balancing policy
- C. Recovery Manager Central policy
- D. virtual machine Restart policy

Correct Answer: C

QUESTION 5


HOTSPOT

A customer discovered performance issues with one of the volumes used by an application.

An integrator recommended changing the RAID level for this volume from RAID6 to RAID5 by moving this volume to a different CPG.

Click the option that will start this operation.

Hot Area:

Team_01_Volume_01		Overview	Actions 
General			Create
Name	Team_01_Volume_01		Create similar
ID	1234		Add to virtual volume set
Volume set			Save as policy
System	<u>Kit23-3Par</u>		Edit
Domain	—		Delete
WWN	60002AC000000000		Export
Virtual size	40.00 GiB		Unexport
Compaction	—		Convert
Type	Base		Tune
Provisioning	Thin		Restart tune
Dedup	No		Rollback tune
Compression	No		Create snapshot
Mode	Read/Write		Promote snapshot
RAID	RAID1		Create clone
Adaptive optimization	—		

Correct Answer:

● **Team_01_Volume_01** | Overview

General

Name	Team_01_Volume_01
ID	1234
Volume set	
System	<u>Kit23-3Par</u>
Domain	—
WWN	60002AC000000000
Virtual size	40.00 GiB
Compaction	—
Type	Base
Provisioning	Thin
Dedup	No
Compression	No
Mode	Read/Write
RAID	RAID1
Adaptive optimization	—

Actions ✓
Create
Create similar
Add to virtual volume set
Save as policy
Edit
Delete
Export
Unexport
Convert
Tune
Restart tune
Rollback tune
Create snapshot
Promote snapshot
Create clone

Reference: <https://www.3parug.com/viewtopic.php?f=18andt=2627>

QUESTION 6

A customer needs to deploy a farm of Windows Server 2019 Hyper-V using an Image Streamer. The customer discovered that the OS Build Plan for this OS is not available from the Image Streamer interface. How can the customer access all the tools and scripts needed to provision the required operating system?

- A. The customer has to update Image Streamer firmware, as with the new firmware all OS Build Plans are updated and new ones are added.
- B. The customer must buy an Image Streamer upgrade license to get support for the latest operating systems.
- C. The customer needs to download the artifact bundle from the internet that will provide all required components.
- D. The customer can use any Windows build plan because they are self-updating.

Correct Answer: C

Reference: <https://h20195.www2.hpe.com/v2/GetPDF.aspx/c04815217.pdf>

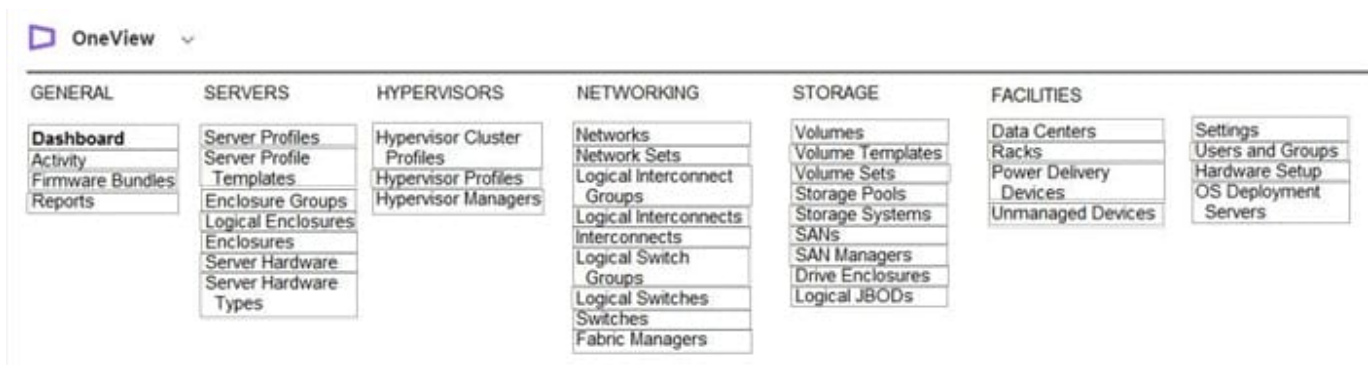
QUESTION 7

HOTSPOT

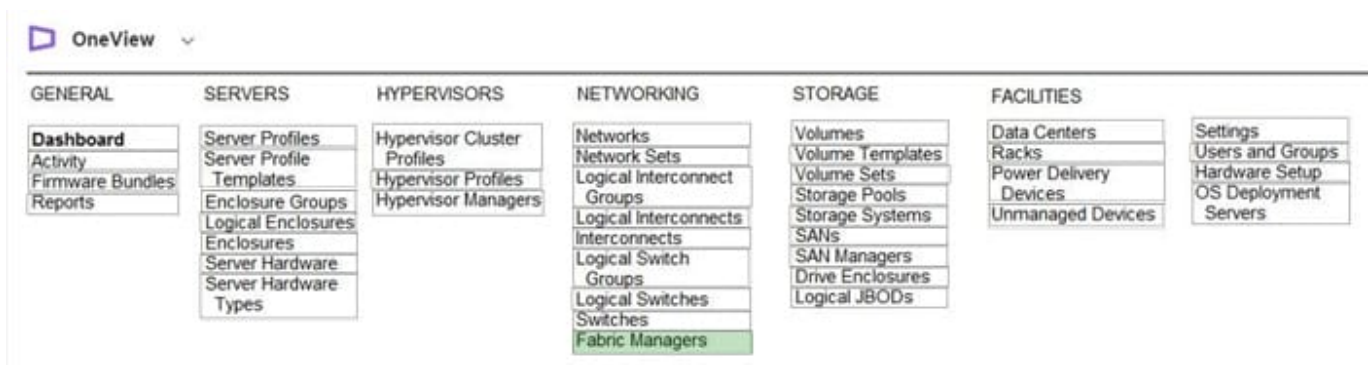
A customer has the following HPE Synergy solution: three Synergy frames two HPE Virtual Connect SE 32Gb Fibre Channel (FC) modules in each time two HPE Virtual Connect SE 40GB F8 modules four HPE Synergy 10Gb Interconnect Link Modules

Click the menu option the integrator should use to add more uplinks ports from HPE Virtual Connect SE 32 Gb FC modules to SAN uplink set.

Hot Area:



Correct Answer:



Reference: <https://h20195.www2.hpe.com/v2/GetPDF.aspx/c04815258.pdf>

QUESTION 8

A customer needs to deploy additional management components, such as vCenter Server and HPE Global Dashboard. According to HPE best practices, how should an integrator deploy these components?

A. Deploy VMware HA cluster on two dedicated management servers, then deploy management components to this cluster.

B. Deploy vCenter Server as a virtual machine on the Hyper-V host and HPE Global Dashboard to the domain controller.

C. Install vCenter Server on the domain controller, then deploy HPE Global Dashboard to the HPE Composer or HPE OneView appliance.

D. Deploy vCenter Server to any Windows machine, and install HPE Global Dashboard on the same server.

Correct Answer: B

QUESTION 9

Which management tool required by HPE Infosight must be deployed at the customer site?

A. HPE Global Dashboard

B. HPE OneView

C. HPE iLO Amplifier

D. HPE StoreServ Management Console (SSMC)

Correct Answer: C

Reference: <https://app.cdn.lookbookhq.com/lbhq-production/10326/content/original/a3bb19f2-f5ce-496e-b777-e9761d65d3d2/5HPEInfoSightandOneViewDrawerStatement-FAQ.PDF>

QUESTION 10

During a first-time installation of HPE Synergy, an external monitor is not available to the integrator. Which approach should the integrator take to perform the first-time setup?

A. Download MSTCS, connect the laptop to the front Panel Ethernet port, and open a RDP Session to 192.168.10.1 on port 443.

B. Download VNC Viewer, connect the laptop to the front Panel Ethernet port, and open a VNC-connection to 192.168.10.1 on port 5900.

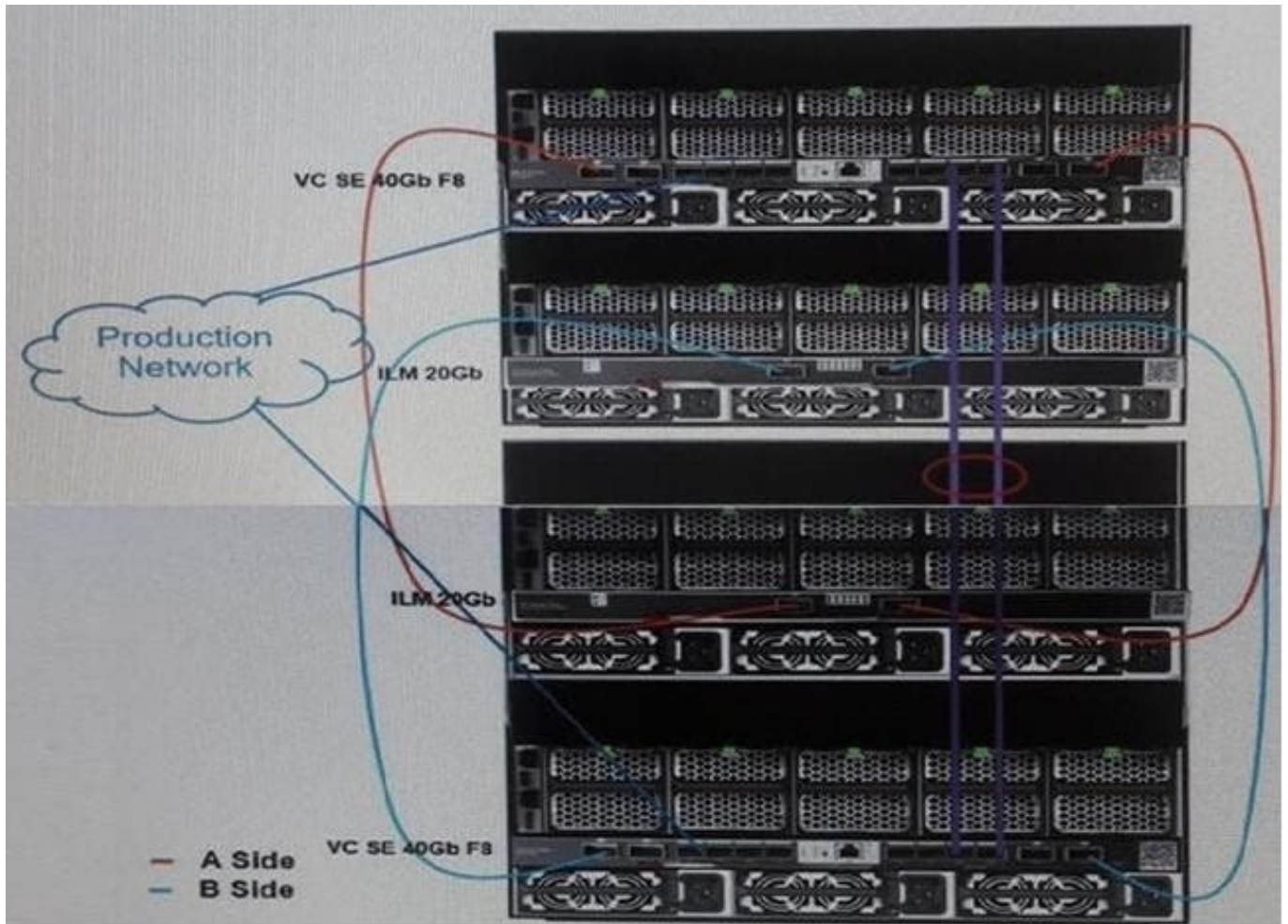
C. Download Telnet, connect the laptop to the front Panel Ethernet port, and open a connection to 192.168.10.1 on port 8443.

D. Download PuTTY, connect the laptop to the front Panel Ethernet port, and open an SSH connection to 192.168.10.1 on any port (default is 22).

Correct Answer: B

QUESTION 11

Refer to the exhibit.



A customer has an HPE Synergy 2-frame configuration, as shown. The customer has a new project and needs to increase the number of compute modules. What is the maximum number of compute nodes that the customer's fabric could support?

- A. 24
- B. 36
- C. 48
- D. 60

Correct Answer: D

QUESTION 12

Refer to the exhibit.

Add Connection

General

Name	<input type="text" value="Connection"/>
Function type	<div style="border: 1px solid #ccc; padding: 2px;"><div style="background-color: #e0f2f1; padding: 2px;">Ethernet</div><div style="padding: 2px;">Fibre Channel</div><div style="padding: 2px;">iSCSI</div></div> Specify the device type
Network	<input type="text"/> <input type="button" value="Q"/>

An integrator needs to add an FCoE connection to the server profile, but the FCoE connection type is not available.

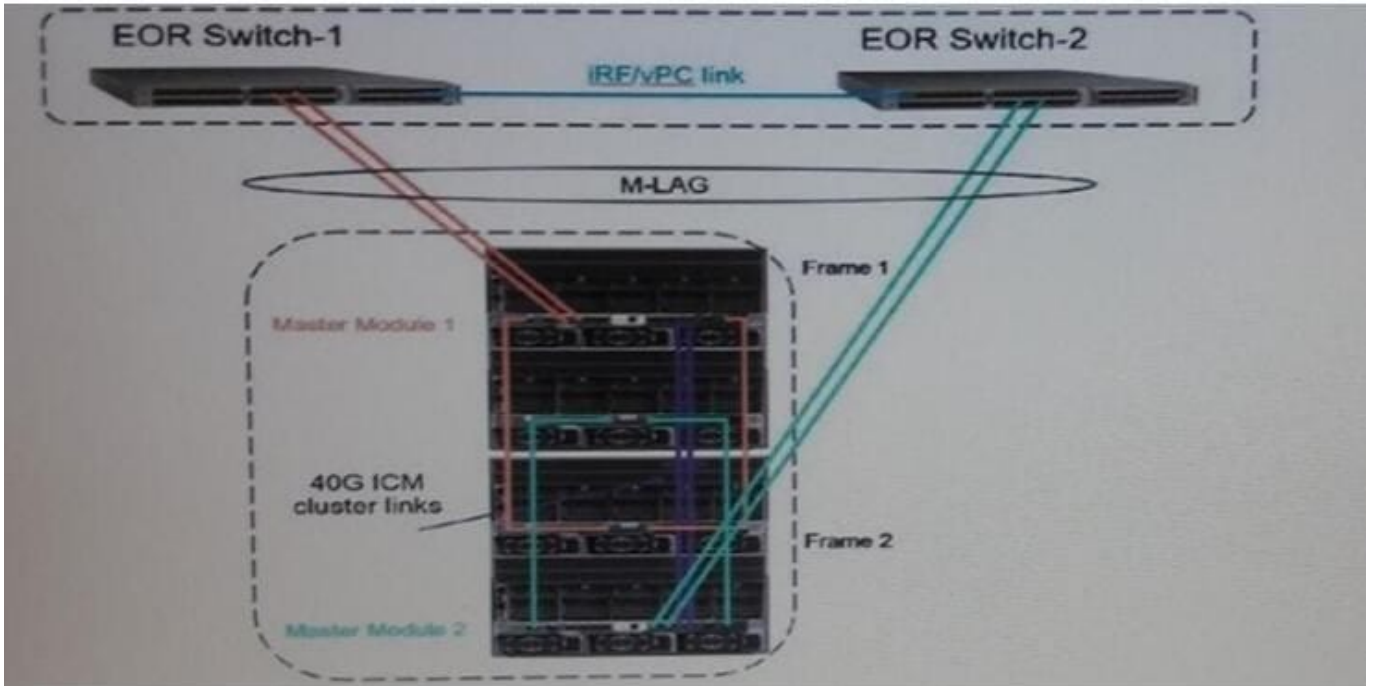
What is the likely cause of this issue?

- A. FCoE capable interconnect modules are not installed in the Synergy frame
- B. Defined FCoE network is not associated with a SAN or does not have VLAN Id defined
- C. A FCoE connection is not available, as there is no LIG configured for FCoE connectivity
- D. The FCoE connection has not been added as a Fibre Channel connection within a server profile

Correct Answer: D

QUESTION 13

Refer to the exhibit.



A customer with the design shown needs to perform an in-place upgrade to its environment to scale the two-frame single homed Multimodule Link Aggregation Group (MLAG) configuration to a three-frame configuration. The new frame needs to provide a redundant 20Gb connection for the compute module ports in Fabric 3.

Which interconnect modules should the integrator use in Frame 3?

- A. HPE Virtual Connect SE 40Gb F8 module in bay 3 and HPE Virtual Connect SE 40Gb F8 Module in bay 6
- B. HPE Synergy 10Gb Interconnect Link Module in bay 3 and HPE Synergy 10Gb Interconnect Link Module in bay 6
- C. HPE Synergy 20Gb Interconnect Link Module in bay 3 and HPE Synergy 20Gb Interconnect Link Module in bay 6
- D. HPE Synergy 20Gb Interconnect Link Module in bay 3 and HPE Synergy 10Gb Interconnect Link Module in bay 6

Correct Answer: B

QUESTION 14

An integrator needs to enable automatic support case logging for hardware incidents as part of a new Synergy installation. Which configuration steps should the integrator perform to enable support case creation for the frame and all compute nodes?

- A. Enable Remote Support in HPE Composer, and register with HPE
- B. Enable Insight Online integration in the composer
- C. Install Insight Online, and register with HPE Passport credentials
- D. Install Insight Remote Support Advanced (RSA)

Correct Answer: A

Reference: <https://h20195.www2.hpe.com/v2/GetPDF.aspx/c04815139.pdf> (14)

QUESTION 15

A customer needs to attach 20 HPE 1 TB SATA 6G SFF hard drives to an HPE Synergy 480 Gen10 compute module. Which HPE products are necessary to meet the requirements? (Choose three.)

- A. HPE D3940 storage module
- B. HPE Synergy 12Gb SAS Connection Module
- C. HPE 10GbE SynergyPass-Thru Module
- D. HPE Smart Array P416ie-m Controller
- E. HPE Smart Array P542D Controller

Correct Answer: BDE

[Latest HPE0-S58 Dumps](#)

[HPE0-S58 Study Guide](#)

[HPE0-S58 Braindumps](#)