

E05-001^{Q&As}

Information Storage and Management v3

Pass EMC E05-001 Exam with 100% Guarantee

Free Download Real Questions & Answers **PDF** and **VCE** file from:

<https://www.certbus.com/e05-001.html>

100% Passing Guarantee
100% Money Back Assurance

Following Questions and Answers are all new published by EMC
Official Exam Center

-  **Instant Download** After Purchase
-  **100% Money Back** Guarantee
-  **365 Days** Free Update
-  **800,000+** Satisfied Customers



QUESTION 1

What is an accurate statement about three-way NDMP backup in a NAS environment?

- A. Backup device can be shared among multiple NAS heads
- B. Each NAS head should have a dedicated backup device
- C. Backup data traverses at least three NAS heads before reaching the backup device
- D. Backup is performed only when three or more NAS heads are present

Correct Answer: A

QUESTION 2

What is a benefit of implementing a virtual machine (VM) storage migration?

- A. Balances storage utilization by redistributing VMs across different storage systems
- B. Enables VMs to keep functioning even if the source data is lost due to a failure
- C. Improves the security of applications running inside VMs on the migrated storage system
- D. Reduces the overall storage system capacity requirements for organizations

Correct Answer: A

QUESTION 3

What is an accurate statement about OAuth security control?

- A. Allows a client to access protected resources from a resource server on behalf of a resource owner
- B. Provides strong authentication for client-server applications by using secret-key cryptography
- C. Enables initiators and targets to authenticate each other by using a shared secret code
- D. Enables an organization to use authentication services from an identity provider

Correct Answer: A

QUESTION 4

Which type of LUN provides full control for precise data placement and allows an administrator to create LUNs on different RAID sets if there is workload contention?

- A. Traditional

- B. Thin
- C. Journal
- D. Bitmap

Correct Answer: A

QUESTION 5

What is the purpose of monitoring capacity in a storage infrastructure?

- A. Tracking the amount of storage infrastructure resources used and available
- B. Evaluating utilization of components and identifying bottlenecks
- C. Tracking configuration changes to the storage infrastructure elements
- D. Identifying component failures that may lead to service unavailability

Correct Answer: A

QUESTION 6

What is an accurate statement about Software as a Service?

- A. Consumer has limited control over user-specific application configuration settings
- B. Consumer has control over the operating systems and deployed applications
- C. Consumer has control over the configuration settings of the application-hosting environment
- D. Consumer has limited control over select networking components, such as host firewalls

Correct Answer: A

QUESTION 7

What is a function of the FC-1 layer of the Fibre Channel (FC) protocol stack?

- A. Defines data encoding
- B. Provides FC addressing
- C. Defines the physical interface
- D. Maps upper layer protocols to FC layers

Correct Answer: A

QUESTION 8

Why should a replica be consistent with its source?

- A. Ensure the usability of the replica
- B. Reduce the need to create multiple replicas
- C. Ensure the security of the replica
- D. Reduce the size of the replica

Correct Answer: D

QUESTION 9

What is an accurate statement about a logical volume in a compute system?

- A. Can span across multiple physical volumes
- B. Can only be created from a single physical volume
- C. Must be created across multiple volume groups
- D. Allows multiple file systems to run concurrently

Correct Answer: A

QUESTION 10

What is an accurate statement about the application presentation technique of application virtualization?

- A. Application executes remotely and its user interface is transmitted to the client
- B. Application is downloaded in portions on the client for local execution
- C. Application executes on the client without the use of a locally-installed agent
- D. Application is converted into a standalone package that directly executes on the client

Correct Answer: A

QUESTION 11

What is an accurate statement about full volume replication?

- A. Target device is at least as large as the source device
- B. Target device requires only a fraction of the space used by the source device
- C. Target device is accessible only after the replication session starts

D. Target and source devices should be on different storage arrays

Correct Answer: A

QUESTION 12

An organization plans to deploy a new backup device in their data center. The organization wants the new backup device to support their legacy backup software without requiring any changes to the software. In addition, the organization wants the backup device to provide random data access for better performance.

Which backup device should be recommended?

- A. Virtual tape library
- B. Tape-based backup appliance
- C. Tape library
- D. Optical juke box

Correct Answer: A

QUESTION 13

What is an accurate statement about Challenge Handshake Authentication Protocol (CHAP) control?

- A. Enables initiators and targets to authenticate each other by using a shared secret code
- B. Provides strong authentication for client-server applications by using secret-key cryptography
- C. Allows a client to access protected resources from a resource server on behalf of a resource owner
- D. Enables an organization to use authentication services from an identity provider

Correct Answer: A

QUESTION 14

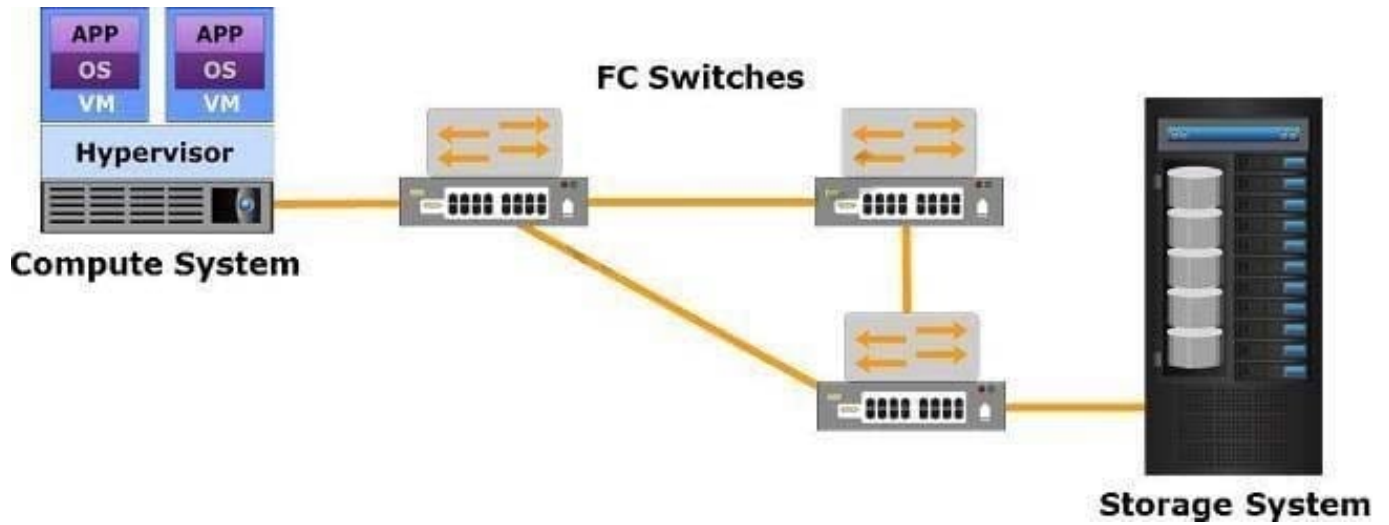
What is an accurate statement about the application streaming technique of application virtualization?

- A. Application is downloaded in portions on the client for local execution
- B. Application executes remotely and its user interface is transmitted to the client
- C. Application executes on the client without the use of a locally-installed agent
- D. Application is converted into a standalone package that directly executes on the client

Correct Answer: A

QUESTION 15

Which type of fabric topology does the exhibit represent?



- A. Full mesh
- B. Partial mesh
- C. Single core-edge
- D. Dual core-edge

Correct Answer: A

[Latest E05-001 Dumps](#)

[E05-001 VCE Dumps](#)

[E05-001 Braindumps](#)