

DES-5121^{Q&As}

Specialist - Implementation Engineer - Campus Networking Exam

Pass EMC DES-5121 Exam with 100% Guarantee

Free Download Real Questions & Answers **PDF** and **VCE** file from:

<https://www.certbus.com/des-5121.html>

100% Passing Guarantee
100% Money Back Assurance

Following Questions and Answers are all new published by EMC
Official Exam Center

- ⚙️ **Instant Download** After Purchase
- ⚙️ **100% Money Back** Guarantee
- ⚙️ **365 Days** Free Update
- ⚙️ **800,000+** Satisfied Customers



QUESTION 1

A network administrator added a new Dell EMC N-Series switch into their network with RSTP configured. The spanning-tree priority on all existing switches has been left at the default value. If the administrator wants this new switch to become the spanning tree root, which command should be used?

- A. spanning-tree priority 4096
- B. spanning-tree priority 32768
- C. spanning-tree priority 36864
- D. spanning-tree priority 61440

Correct Answer: A

Reference: <https://www.dell.com/support/article/en-us/how10394/how-to-manage-rapid-spanning-tree-rstp-thru-command-line-on-dell-networking-powerconnect-switches?lang=en>

QUESTION 2

How does the weighted Queue Scheduler prioritize packets?

- A. Scheduler prioritizes weighted queues over any strict queues
- B. Weights are calculated based on the number of packets
- C. Weights are used to calculate the number of bytes
- D. Weight is assigned to each port

Correct Answer: C

Reference: <https://infohub.delltechnologies.com/static/media/6582046d-70f0-4ab6-ba72-2c0b9cf26649.pdf> page 6

QUESTION 3

Which default security level can be assigned to limit access of a specific user to a Dell EMC N-Series switch?

- A. Level 0
- B. Level 1
- C. Level 5
- D. Level 15

Correct Answer: A

Reference: https://www.dell.com/support/manuals/us/en/04/force10-s4048-on/s4048_on_9.9.0.0_config_pub-v1/configuring-privilege-levels?guid=guid-2fa480e0-1660-41d8-8ac2-45aa90d5bb71andlang=en-us

QUESTION 4

If a VRRP Master router is rebooted, what is the default behavior once it comes back online?

- A. An election occurs to determine which router will have the Master role
- B. Original VRRP Master will take back control of the Master role
- C. Original VRRP Backup will retain the Master role
- D. VRRP Master role is determined by the router with the lowest MAC address

Correct Answer: B

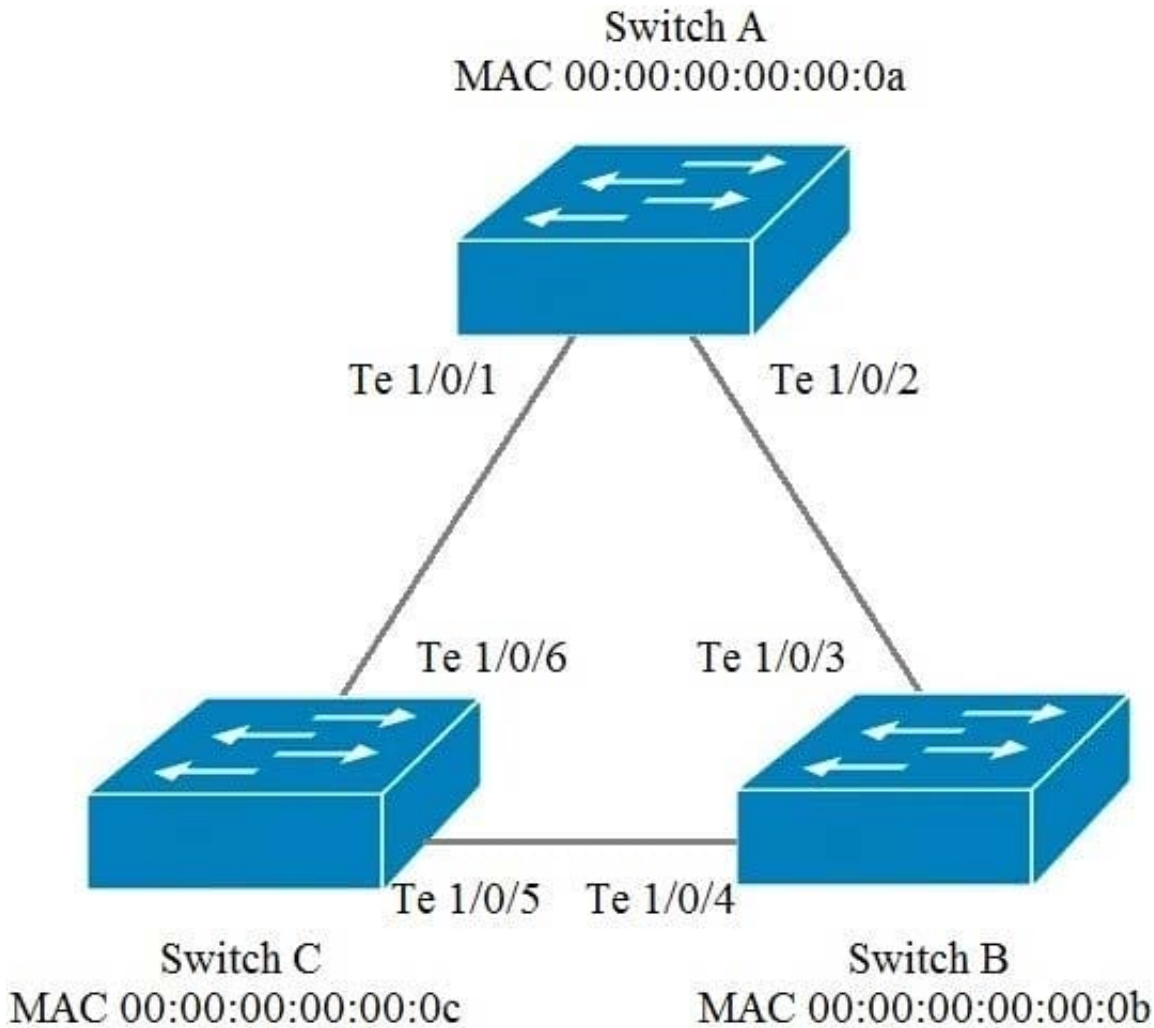
QUESTION 5

What is a recommended configuration for an MLAG peer-link on a Dell EMC N-Series switch?

- A. Spanning tree must be disabled
- B. Spanning tree must be enabled
- C. Link must be a trunk port
- D. Link must contain multiple interfaces

Correct Answer: B

QUESTION 6



The exhibit represents a topology with all Dell EMC N4000 Series switches with RSTP enabled. In addition, the switches are using the default configuration on all ports and protocols. Which port number will be blocked by spanning tree?

- A. Te 1/0/3
- B. Te 1/0/4
- C. Te 1/0/5
- D. Te 1/0/6

Correct Answer: C

QUESTION 7

What is the maximum number of dynamic MAC addresses that can be learned on a Dell EMC N-Series switchport that is configured for dynamic locking?

- A. 100
- B. 300

C. 400

D. 600

Correct Answer: A

Reference: <https://www.dell.com/support/article/en-us/how10392/how-to-configure-mac-based-port-security-on-dell-n2000-n3000-and-n4000-series-switches?lang=en>

QUESTION 8

A switch interface has been properly configured for static port security with one defined allowable MAC address. However, when the network administrator plugs a switch into that port, multiple devices are still allowed access to the network. Where must port security also be enabled to have an effect?

- A. Enabled globally on the switch
- B. Enabled on all attached devices
- C. Enabled on all switches in the network
- D. Enabled on all interfaces of the switch

Correct Answer: A

Reference: <https://www.dell.com/support/article/en-us/how10392/how-to-configure-mac-based-port-security-on-dell-n2000-n3000-and-n4000-series-switches?lang=en>

QUESTION 9

Refer to the Exhibit.

```
Switch-1(config)# radius server host 10.1.1.111 Switch-1(config-radius)# key "secretkey" Switch-1(config-radius)# exit
Switch-1(config)# aaa authentication login "LOCAL-AUTH" local Switch-1(config)# aaa authentication login "REMOTE-
AUTH" radius local Switch-1(config)# aaa authentication enable "REMOTE-AUTH" radius enable Switch-1(config)# aaa
authentication login default tacacs local Switch-1(config)# aaa authentication enable default tacacs enable
Switch-1(config)# line telnet Switch-1(config-telnet)# login authentication "REMOTE-AUTH" Switch-1(config-telnet)# exit
Switch-1(config)# line ssh Switch-1(config-ssh)# login authentication default Switch-1(config)# exit Switch-1(config)# line
console Switch-1(config-line)# login authentication "LOCAL-AUTH" Switch-1(config-line)# exit
```

Which authentication method will be used if a user tries to log into the switch when accessing through SSH?

- A. RADIUS, then fails over to a local user account
- B. Local user account
- C. TACACS, then fails over to a local user account
- D. None

Correct Answer: C

QUESTION 10

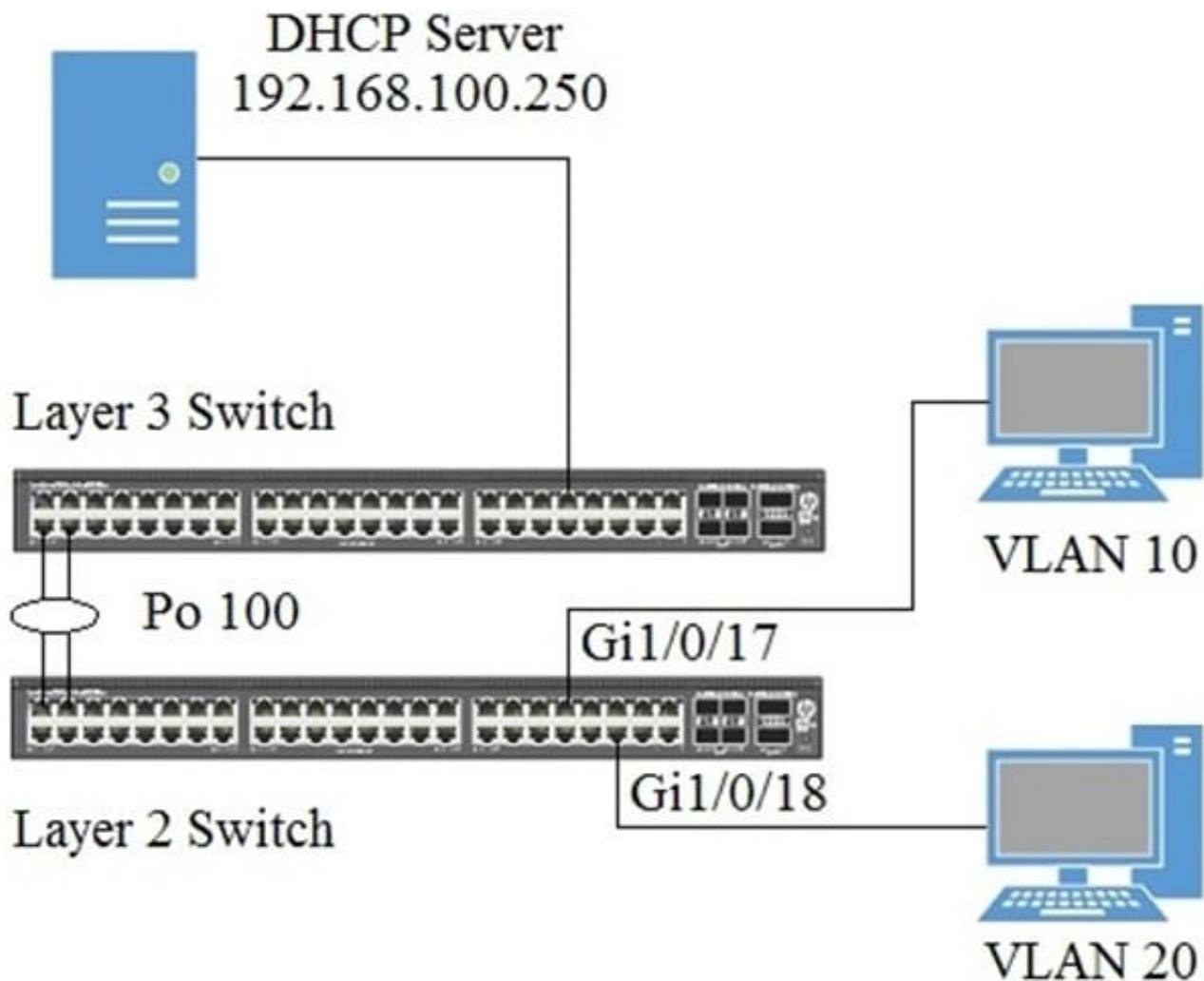
In a PoE environment, what information does the Network Policy TLV exchange between the PSE and PD?

- A. Required Power, VLAN ID, and DSCP Value
- B. VLAN ID, IEEE Priority, and DSCP Value
- C. IEEE Priority, Required Power, and VLAN ID
- D. DSCP Value, Required Power, and IEEE Priority

Correct Answer: B

Reference: http://ftp.dell.com/manuals/all-products/esuprt_ser_stor_net/esuprt_networking/poweredge-m-io-aggregator_Concept-Guide4_en-us.pdf page 162

QUESTION 11



Based on the exhibit, which configuration on interface Gi1/0/18 will allow the DHCP request to reach the DHCP server for the specified VLAN?

A. Configuration A: console(config-if-Gi1/0/18)# switchport mode general console(config-if-Gi1/0/18)# switchport general pvid 20 console(config-if-Gi1/0/18)# switchport general allowed vlan add 20 console(config-if-Gi1/0/18)# switchport general allowed vlan remove 1

B. Configuration B: console(config-if-Gi1/0/18)# switchport access vlan 10 console(config-if-Gi1/0/18)# service-policy in dhcp_250 console(config-if-Gi1/0/18)# switchport general allowed vlan add 20 console(config-if-Gi1/0/18)# switchport general allowed vlan remove 1

C. Configuration C: console(config-if-Gi1/0/18)# switchport access vlan 10 console(config-if-Gi1/0/18)# ip dhcp snooping trust console(config-if-Gi1/0/18)# switchport general allowed vlan add 20 console(config-if-Gi1/0/18)# switchport general allowed vlan remove 1

D. Configuration D: console(config-if-Gi1/0/18)# channel-group 100 mode active console(config-if-Gi1/0/18)# switchport access vlan 250 console(config-if-Gi1/0/18)# switchport general allowed vlan add 20 console(config-if-Gi1/0/18)# switchport general allowed vlan remove 1

Correct Answer: A

QUESTION 12

Which port security method converts existing dynamically learned MAC addresses on an interface to this mode and not age out?

- A. Static
- B. MAC address
- C. Sticky
- D. Dynamic

Correct Answer: D

Reference: <https://www.dell.com/support/manuals/us/en/04/networking-s4148f-on/smartfabric-os-user-guide-10-5-1/port-security?guid=guid-c27a9d47-ea59-48cc-b19d-90a9f6d52629&lang=en-us>

QUESTION 13

A Dell EMC N-Series switch is configured to uplink to a customer switch using two separate 4-port port-channels configured as trunks. Both switches are configured with 16 VLANs and RSTP.

How will VLAN traffic be distributed across the port-channels?

- A. All VLANs are allowed across a single port-channel
- B. A single VLAN is allowed across each port-channel
- C. All VLANs are allowed across both port-channels
- D. Eight VLANs are allowed across each port-channel

Correct Answer: A

QUESTION 14

Which commands should a network administrator use to configure a RADIUS server on a Dell EMC N-Series switch?

- A. Switch-1(config)# radius 10.1.1.111 Switch-1(config-radius)# name RADIUS-Server Switch-1(config-radius)# key secretkey
- B. Switch-1(config)# radius server auth 10.1.1.111 Switch-1(config-radius)# name RADIUS-Server Switch-1(config-radius)# key "secretkey"
- C. Switch-1(config)# radius auth 10.1.1.111 Switch-1(config-radius)# name "RADIUS-Server" Switch-1(config-radius)# key "secretKey"
- D. Switch-1(config)# radius auth server 10.1.1.111 Switch-1(config-radius)# name RADIUS-Server Switch-1(config-radius)# key "secretKey"

Correct Answer: B

QUESTION 15

When configuring a PBR route-map, what are the configurable "SET" options?

- A. set ip source, set ip next-hop, and set ip default next-hop
- B. set ip next-hop, set ip source, and set ip precedence
- C. set ip next-hop, set ip default next-hop, and set ip precedence
- D. set ip source, set ip default next-hop and set ip precedence

Correct Answer: C

[DES-5121 PDF Dumps](#)

[DES-5121 VCE Dumps](#)

[DES-5121 Brindumps](#)