

CLAD^{Q&As}

Certified LabVIEW Associate Developer Examination

Pass NI CLAD Exam with 100% Guarantee

Free Download Real Questions & Answers **PDF** and **VCE** file from:

<https://www.certbus.com/clad.html>

100% Passing Guarantee
100% Money Back Assurance





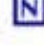
Following Questions and Answers are all new published by NI Official Exam Center

- ⚙️ **Instant Download** After Purchase
- ⚙️ **100% Money Back** Guarantee
- ⚙️ **365 Days** Free Update
- ⚙️ **800,000+** Satisfied Customers



QUESTION 1

Under which of the following conditions does a For loop stop executing?

- A. When a false value is present at the conditional terminal and the conditional terminal is 
- B. When the value of the iteration terminal,  , is one less than the value of the count terminal, 
- C. When the value of the iteration terminal,  , is one more than the value of the count terminal, 
- D. None of the above

A. Option A

B. Option B

C. Option C

D. Option D

Correct Answer: B

QUESTION 2

Which of the following functions assembles Cluster elements by their owned labels?

A. Unbundle by Name

B. Unbundle

C. Bundle by Name

D. Bundle

Correct Answer: C

QUESTION 3

Which combination of words correctly completes the following statement?

Unlike _____, which display an entire waveform that overwrites the data already stored, _____ update periodically and maintain a history of the data previously stored.

A. Graphs; Charts

B. Charts; Plots

C. Plots; Graphs

D. Charts; Graphs

Correct Answer: A

QUESTION 4

Which of the following statements regarding the index of Arrays are NOT true?

A. The index is used to access a particular element of an Array.

B. The index ranges from 1 to n.

C. A 2-D Array has both a column index and a row index.

D. The index ranges from 0 to n-1.

Correct Answer: B

QUESTION 5

Which is the correct order for the signal to propagate through components when acquiring a signal?

A. Sensor>Terminal Block>DAQ>LabVIEW

B. DAQ>Sensor>Terminal Block>LabVIEW

C. Terminal Block>LabVIEW>Sensor>DAQ

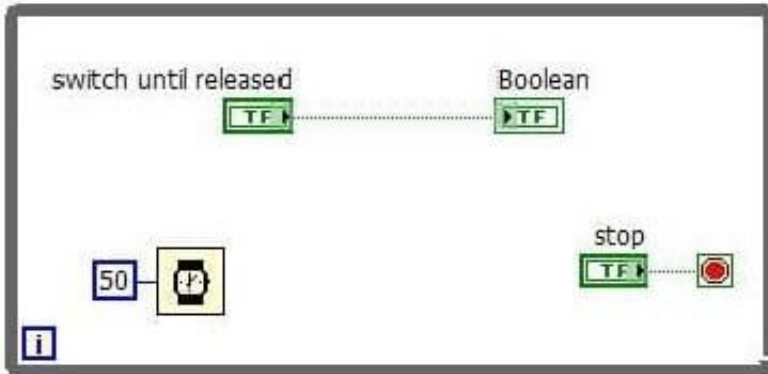
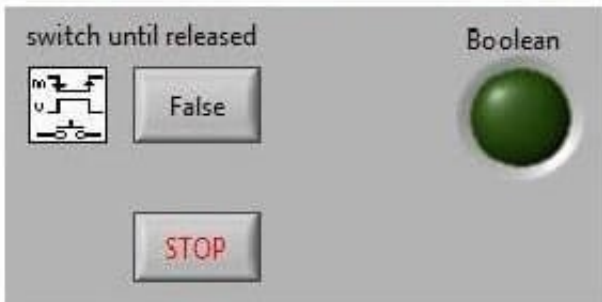
D. Sensor>DAQ>Terminal Block>LabVIEW

Correct Answer: B

QUESTION 6

Consider the VI and user actions.

What value will be displayed in the Boolean indicator at 7 seconds and 17 seconds, respectively?



Time in Seconds	User Action
0	Clicks Run Arrow
5	Press the switch until released button
8	Releases the switch until released button
15	Press the switch until released button
16	Releases the switch until released button
20	Clicks the stop button

- A. TRUE, TRUE
- B. FALSE, TRUE
- C. FALSE, FALSE
- D. TRUE, FALSE

Correct Answer: A

QUESTION 7

What is one disadvantage of using the State Machine VI architecture?

- A. A State Machine can only traverse states in order
- B. If two state changes occur at the same time, only the first state change will be handled and the second will be lost

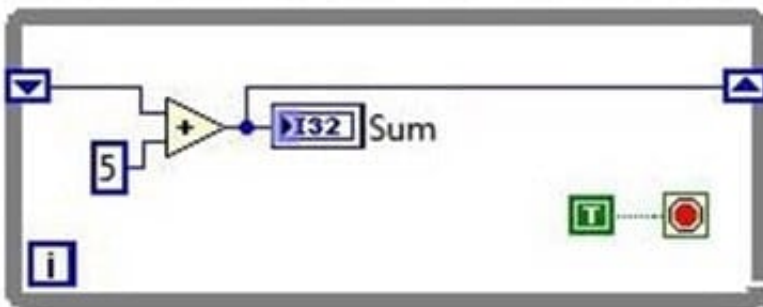
- C. The diagram becomes significantly larger when changing from a general architecture to a State Machine
- D. State Machines cannot acquire data or use DAQ functions

Correct Answer: B

QUESTION 8

The SubVI is opened and then run three times.

What is the value of Sum when the VI completes execution?



- A. Indeterminate
- B. 15
- C. 5
- D. 10

Correct Answer: B

QUESTION 9

Which of the following display options are available for strings on the Front Panel?

- A. '\\\ Codes
- B. Password
- C. Hex
- D. All of the above

Correct Answer: D

QUESTION 10

Clicking on the _____ button allows you to bypass a node in the Block Diagram without single-stepping through the

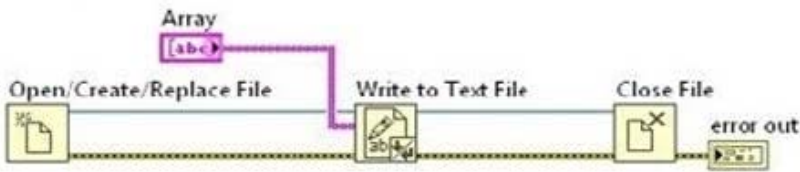
node.

- A. Step Into
- B. Step Over
- C. Step Out
- D. Step Through

Correct Answer: B

QUESTION 11

When run, this VI will: A. Error because no file path and no prompt are specified



LabVIEW Help

Hide Locate Back Forward Options

Open/Create/Replace File Function

Owning Palette: [File I/O VIs and Functions](#)

Requires: Base Development System

Opens an existing file, creates a new file, or replaces an existing file, programmatically or interactively using a file dialog box. This function does not work for files inside an LLB.

[Details](#) [Example](#)

prompt
 file path (use dialog)
 operation (0:open)
 access (0:read/write)
 error in
 disable buffering (F)

refnum out
 cancelled
 error out

+ Add to the block diagram Find on the palette

prompt is the message that appears above the list of files and directories or folder in the file dialog box.

file path is the absolute path to the file. If you do not wire **file path**, the function displays a dialog box from which you can select a file. If you specify an empty or relative path, this function returns an error. If **file path** is the path to a directory that does not exist, this function returns an error. Use the [Create Folder](#) function to create a directory.

operation is the operation to perform. Error 43 occurs if you cancel the dialog box.

0	open (default)—Opens an existing file. Error 7 occurs if the file cannot be found.
1	replace —Replaces an existing file by opening the file and setting its end of file to 0.
2	create —Creates a new file. Error 10 occurs if the file already exists.
3	open or create —Opens an existing file or creates a new file if one does not exist.
4	replace or create —Creates a new file or replaces a file if it exists. This VI replaces a file by opening the file and setting its end of file to 0.
5	replace or create with confirmation —Creates a new file or replaces a file if it exists and you give permission. This VI replaces a file by opening the file and setting its end of file to 0.

- B. Write to a default text file in the application directory
- C. Prompt for the location of an existing file and write to that file
- D. Prompt for a location to create a text file and write to that file

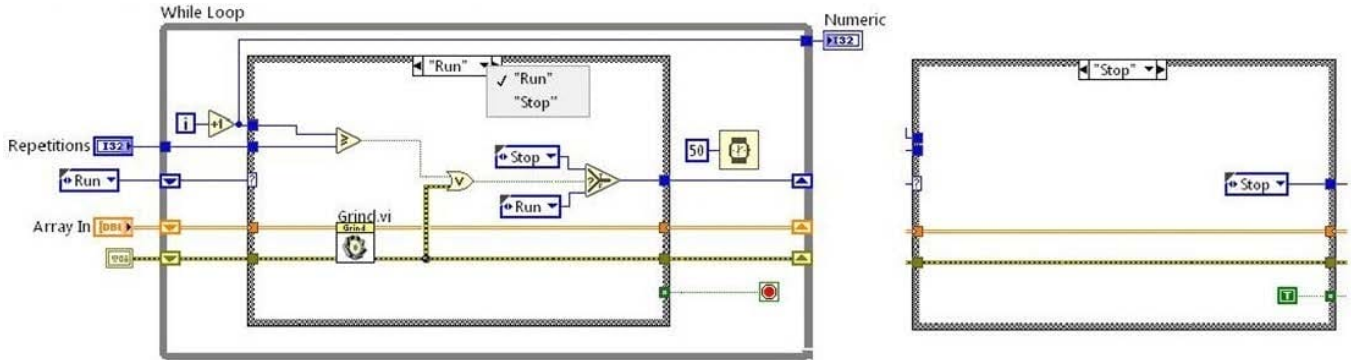
Correct Answer: D

QUESTION 12

This VI is started with a value of 7 in the Repetitions control.

The SubVI Grind.vi returns an error the fifth time it runs.

What is the value in the Numeric indicator after this VI has run?

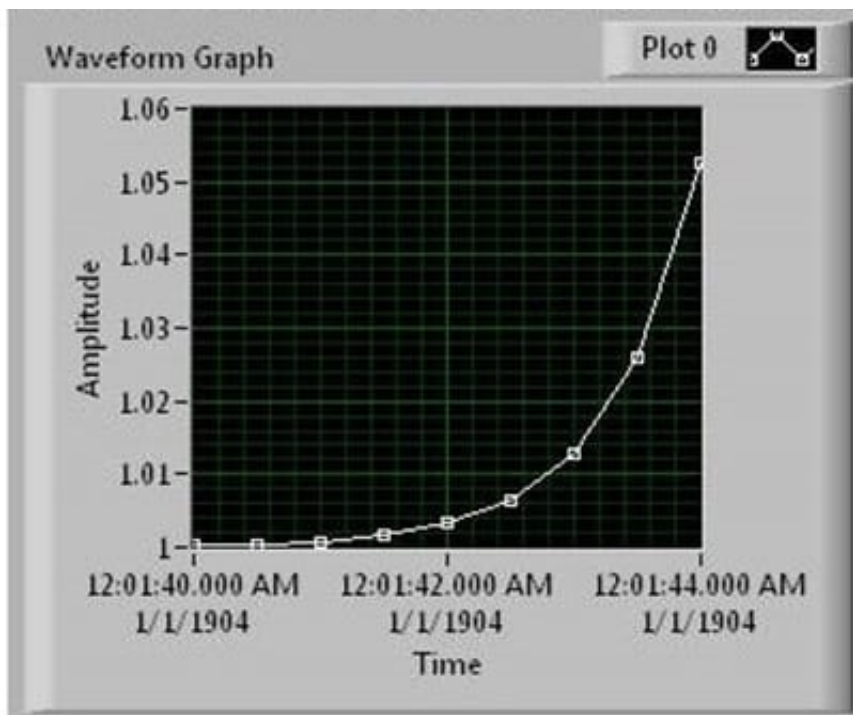


- A. 6
- B. 5
- C. 4
- D. 7

Correct Answer: B

QUESTION 13

Which code will produce this front panel? (Time zone set to UTC+00:00)



- A.
- B.
- C.
- D.

A. Option A

B. Option B

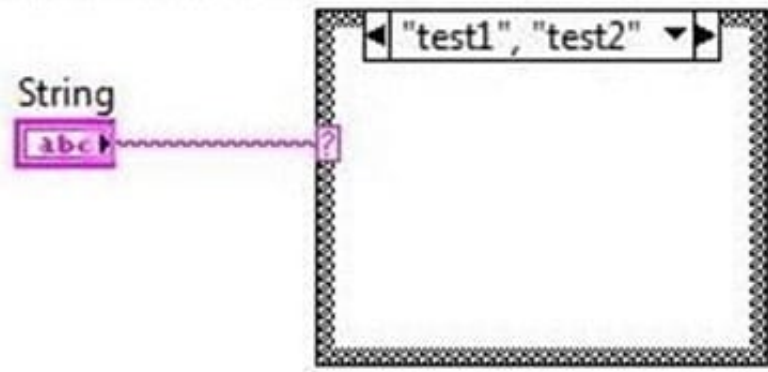
C. Option C

D. Option D

Correct Answer: A

QUESTION 14

Which of the following scenarios would case this VI to be broken?

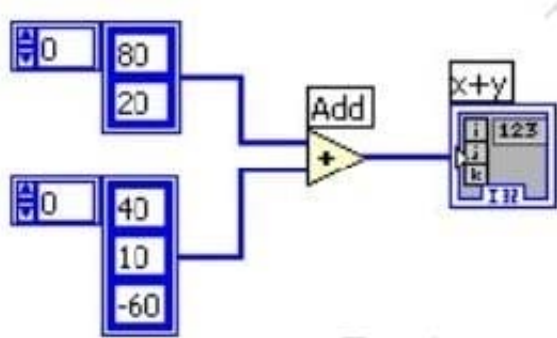


- A. String has a default value other than "test1" or "test2"
- B. Handling more than one value of String in the same case
- C. The case structure does not have a Default case
- D. The selector tunnel is not wired within the case structure

Correct Answer: C

QUESTION 15

What is the result of the following Array addition?



- A. a.1-D Array of {80, 20, 40, 10, -60}
- B. b.1-D Array of {120, 30, -60}
- C. c.1-D Array of {120, 30}
- D. d.2-D Array of {{120, 90, 20}, {60, 30, -40}}

Correct Answer: C