

C9530-404^{Q&As}

IBM Integration Bus V9.0 Solution Development

Pass IBM C9530-404 Exam with 100% Guarantee

Free Download Real Questions & Answers **PDF** and **VCE** file from:

<https://www.certbus.com/c9530-404.html>

100% Passing Guarantee
100% Money Back Assurance

Following Questions and Answers are all new published by IBM Official Exam Center

-  **Instant Download** After Purchase
-  **100% Money Back** Guarantee
-  **365 Days** Free Update
-  **800,000+** Satisfied Customers



QUESTION 1

A solution developer is implementing a message flow that transforms XML payment messages. Each payment message includes many individual payment transaction records. Each transaction record has a summary section and a details section. For the mapping, only fields from the summary section are required.

What should the developer do to tune the performance of the message flow?

- A. Configure opaque elements in the parser options of the MQInput node.
- B. Configure the MQInput node to use the BLOB domain and then use string functions to implement to the mapping.
- C. Use XPATH instead of ESQL to map the required elements of the message.
- D. Select the option to "Build tree with XML schema data types" in the parser options of the MQInput node.

Correct Answer: B

QUESTION 2

A solution developer needs to create or reconfigure the security identity to connect to a Websphere eXtreme Scale secure grid.

Which command should the developer use to accomplish this task?

- A. mqsisetdbparms
- B. mqsisetsecurity
- C. mqsimanagexalinks
- D. mqsicreateconfigurable-service

Correct Answer: B

QUESTION 3

A solution developer is analyzing the of a message flow. There are a number of references defined in the ESQL code of the Compute node.

Why should the developer use dynamic references in the ESQL code of the message flow?

- A. It is a technique to reduce tree copying in a message flow.
- B. It is a technique to reduce tree navigation when accessing repeating elements in a message tree.
- C. References allow the usage of optimized code from dynamically loaded external libraries.
- D. By creating a reference, intermediary results can be cached and so memory usage is reduced.

Correct Answer: B

QUESTION 4

A solution developer needs to validate an XML message in an MQInput node before doing any other bitstream parsing in subsequent nodes. The solution developer has enabled validation on content.

What additional node property configurations will allow the developer to accomplish this task?

- A. Advanced: Convert
- B. Parser Options: Parse Timing: Complete
- C. Parser Options: Parse Timing: Immediate
- D. Parser Options: Parse Timing: On Demand
- E. Input Message Parsing: Message format and Message Domain

Correct Answer: E

QUESTION 5

A solution developer is using accounting and statistics data to find a performance issue within a message flow.

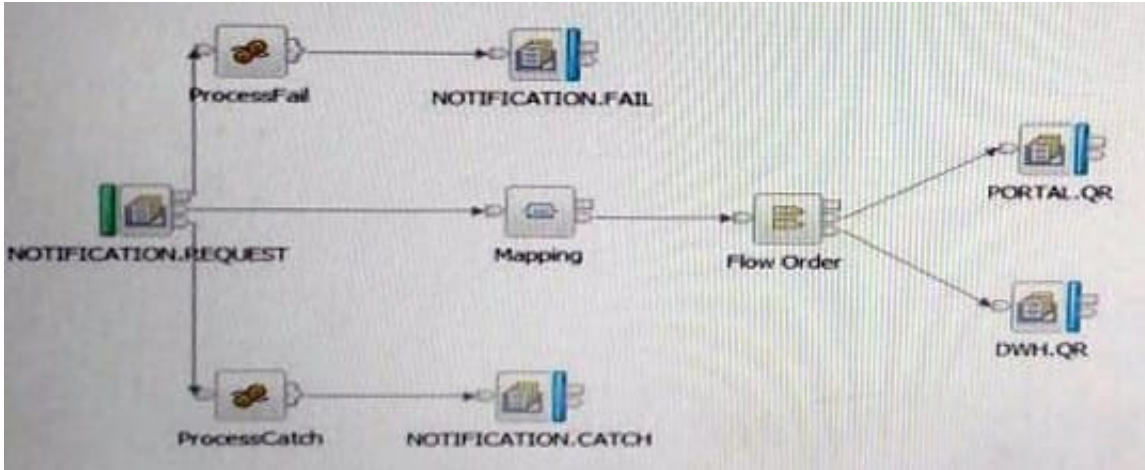
Which type of statistics should the developer use?

- A. Node statistics
- B. Thread statistics
- C. Terminal statistics
- D. Message flow statistics

Correct Answer: D

QUESTION 6

A solution developer has created the flow shown in the exhibit below. The purpose of the flow is to receive notification messages, transform the message payload and send the messages via MQ to the Portal and DataWareHouse (DWH) systems. The developer has also implemented logic to handle various scenarios in the flow in order to trigger alerts on either the NOTIFICATION.CATCH or the NOTIFICATION.FAIL queue which are both monitored by operation support.



The following parameters and settings apply:

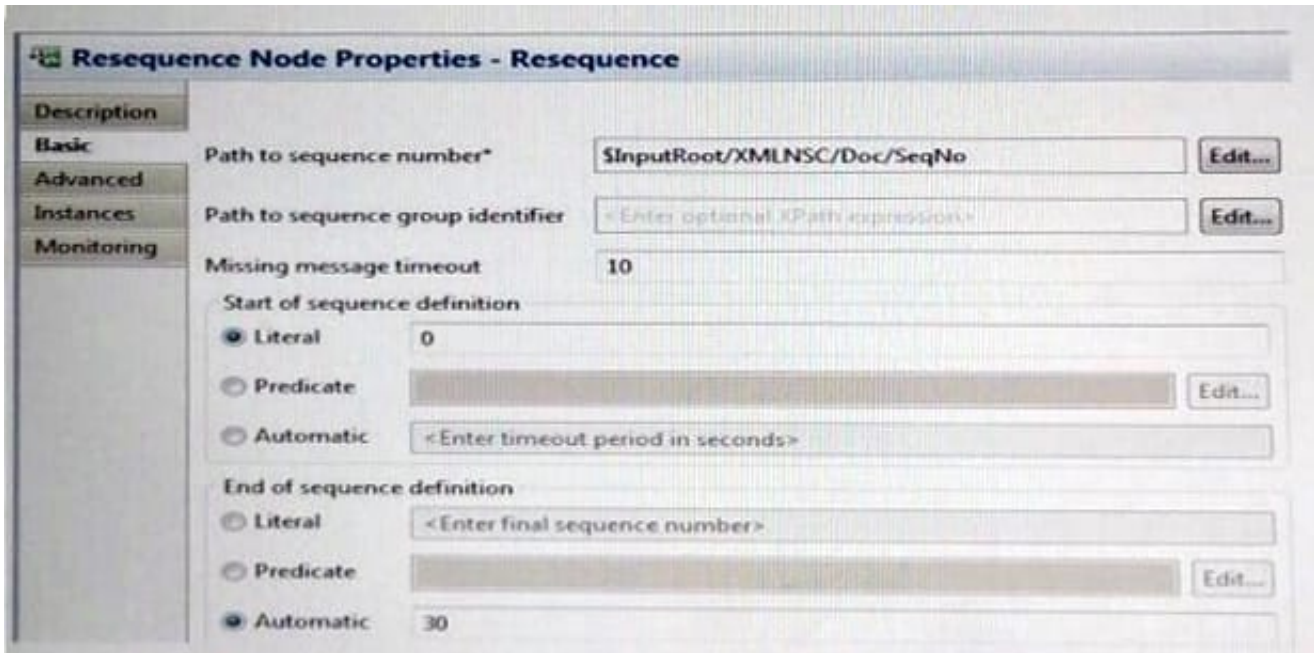
All messages processed by the flow are not-persistent messages. The transaction mode in the NOTIFICATION.REQUESTMQInput node has been set to Yes. The transaction mode in the DWH.QRMQOutput node has been set to No. During an MQ maintenance outage one of the destination queues, DWH.QR, was deleted by mistake. The next message that was processed caused an exception in the DWH.QRMQOutput node.

In this scenario, how many messages are sent out by the flow and to which queues?

- A. One message sent to NOTIFICATION.CATCH.
- B. One message sent to NOTIFICATION.FAIL.
- C. One message sent to PORTAL.QR. One message sent to NOTIFICATION.CATCH.
- D. One message sent to PORTAL.QR. One message sent to NOTIFICATION.FAIL.

Correct Answer: B

QUESTION 7



The following messages are sent to the MQ Input node, as described below:

- 0 A
- 1 B
- 2 C
- 4 E
- 6 G
- a delay of 11 seconds
- 5 F
- a delay of another 11 seconds
- 3 D

What is the end result of processing this messages, using the "Value" element arriving in the specific order listed?

- A. A, B, Con MQ Output;F,Don MQ Output Failure; andE,Gon MQ Output Expire.
- B. A, B, Con MQ Output;F,Don MQ Output Missing; andE,Gon MQ Output Expire.
- C. A, B, Con MQ Output;D, Fon MQ Output Failure; andE,Gon MQ Output Expire.
- D. A, B, Con MQ Output;D, Fon MQ Output Failure; andE,Gon MQ Output Failure.

Correct Answer: D

QUESTION 8

A solution developer needs to provide identifiers for the components and resources in a broker environment. These identifiers are used in the `mqsideploy` command.

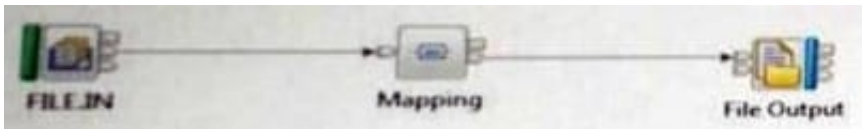
Which special character can the developer use in Windows and Linux for identifiers?

- A. \$
- B. .(dot)
- C. ~ (tilde)
- D. \'(apostrophe)

Correct Answer: A

QUESTION 9

A solution developer has created the following message flow:



The integration requirements state that the name for the output file needs to be computed from the message payload.

How can the developer implement this requirement in the Mapping node?

- A. Use a custom Java transformation to call the IBM Integration Java API to set the file name.
- B. Use a custom ESQL transformation to change the value of the promoted file name property from the FileOutput node.
- C. Configure the headers and folders for the output message to include the Environment tree and map the filename for the output message in the Environment tree.
- D. Configure the headers and folders for the output message to include the local Environment tree and map the filename for the output message in the local Environment tree.

Correct Answer: A

QUESTION 10

A solution developer is building an application that will receive an XML message on a WebSphere MQ queue. The application must validate the XML message and then transform it into a fixed format message.

What must the developer create to support the application, using the IBM preferred way to model messages in IBM Integration Bus V9.0?

- A. An XML Schema built from an example XML document and a DFDL schema that defines the fixed format file.
- B. An XML stylesheet (xsl) built from an example XML document and a DFDL schema that defines the fixed format

file.

C. A MRM message definition file with an XML physical formatlayer and a Custom Wire Format (CWF) physical format layer.

D. A MRM message definition file with an XML physical format layer and aTagged/Delimited String (TDS) physical format layer.

Correct Answer: C

[C9530-404 PDF Dumps](#)

[C9530-404 Study Guide](#)

[C9530-404 Exam Questions](#)