

ASVAB-SECTION-5^{Q&As}

ASVAB Section Five : Electronic Information

**Pass ASVAB ASVAB-SECTION-5 Exam with 100%
Guarantee**

Free Download Real Questions & Answers **PDF** and **VCE** file from:

<https://www.certbus.com/asvab-section-5.html>

100% Passing Guarantee
100% Money Back Assurance

Following Questions and Answers are all new published by ASVAB
Official Exam Center

- ⚙️ **Instant Download** After Purchase
- ⚙️ **100% Money Back** Guarantee
- ⚙️ **365 Days** Free Update
- ⚙️ **800,000+** Satisfied Customers



QUESTION 1

Voltage is also known as _____.

- A. electrical potential
- B. current charge
- C. shock factor
- D. electronic strength

Correct Answer: A

QUESTION 2

The two basic types of oscillators used for microwave generation are the magnetron and the _____.

- A. klystron
- B. op amp
- C. clapp oscillator
- D. multivibrator

Correct Answer: A

The two basic types of oscillators used in microwave installations are the klystron and the magnetron.

QUESTION 3

The nucleus of an atom contains what two subatomic particles?

- A. protons and gamma particles
- B. neutrons and electrons
- C. protons and electrons
- D. protons and neutrons

Correct Answer: D

QUESTION 4

The two types of diodes used in electronics work are the semiconductor diode and the _____.

- A. vacuum tube diode

- B. full-wave diode
- C. half-wave diode
- D. zener diode

Correct Answer: A

The two general types of diodes are the semiconductor and the vacuum tube diode. Both types have their own particular applications and advantages.

QUESTION 5

Ohm's Law is defined as _____.

- A.
- B.
- C.
- D.

Correct Answer:

QUESTION 6

Analog color television relies on three colors to produce the full color range needed for a good picture: red, blue, and _____.

- A. gray
- B. orange
- C. yellow
- D. green

Correct Answer: D

Color television uses red, blue, and green "guns" to direct electron streams toward the phosphors in the front of the picture tube, producing the full color spectrum when combined properly.

QUESTION 7

Electromotive force is another word for _____.

- A. ohms
- B. volts

C. amps

D. current

Correct Answer: B

QUESTION 8

A capacitor is also known as _____.

A. a resistor

B. a dielectric

C. a condenser

D. an alternator

Correct Answer: C

QUESTION 9

Resistance is measured in _____.

A. Watts

B. Volts

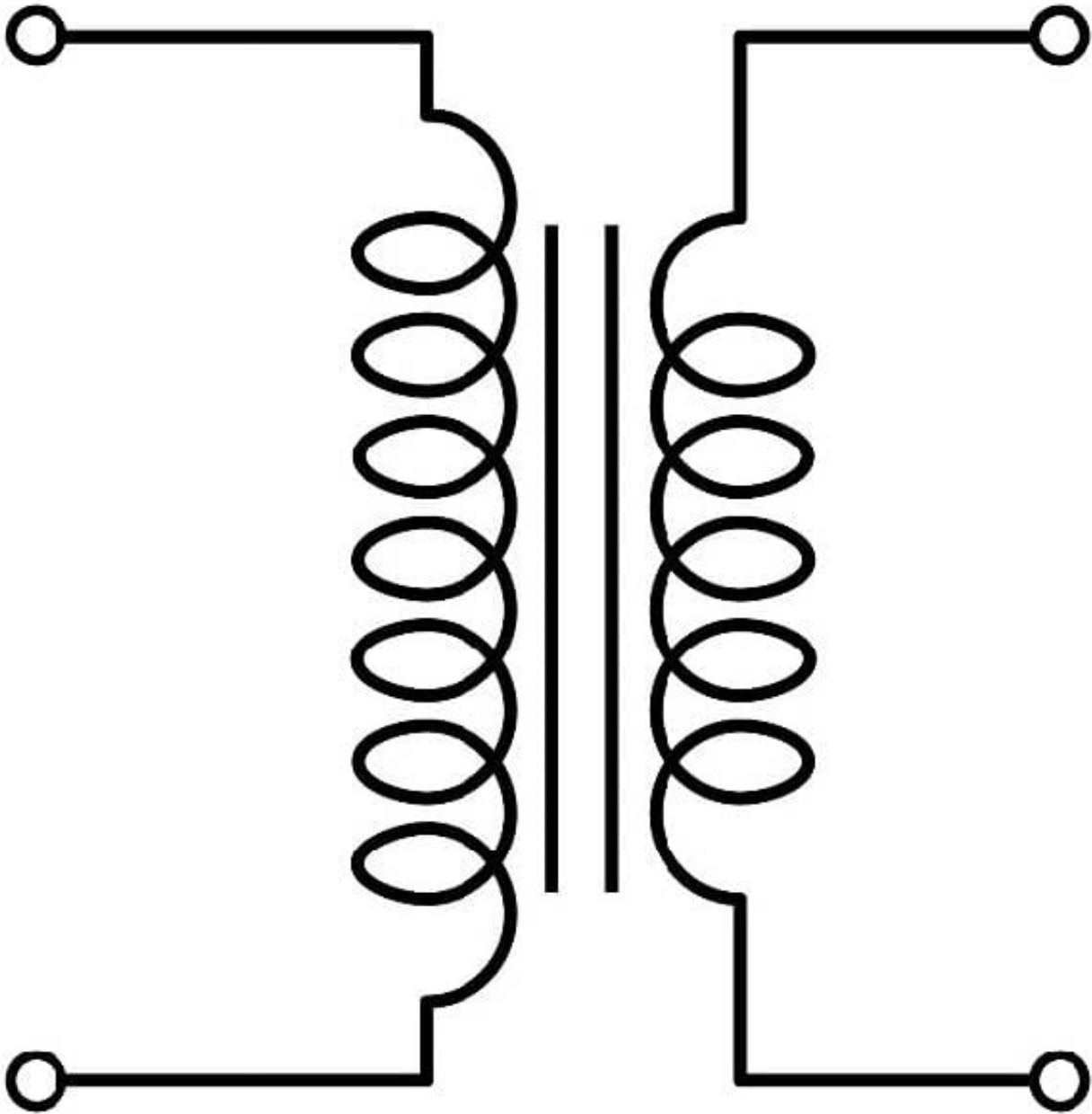
C. Ohms

D. Farads

Correct Answer: C

Resistance is measure in ohms.

QUESTION 10



The symbol above stands for _____.

- A. battery
- B. inductor
- C. transformer
- D. diode

Correct Answer: C

The symbol stands for transformer. Transformers are used to step up (increase) and step down (decrease) AC voltages.

QUESTION 11

The folded dipole antenna has an impedance of _____.

- A. 72 ohms
- B. 300 ohms
- C. 600 ohms
- D. 75 ohms

Correct Answer: B

The folded dipole antenna ?the one most commonly used for home TV reception ?has an impedance of 300 ohms. The dipole has an impedance of 72 ohms.

QUESTION 12

A junction diode is used for _____.

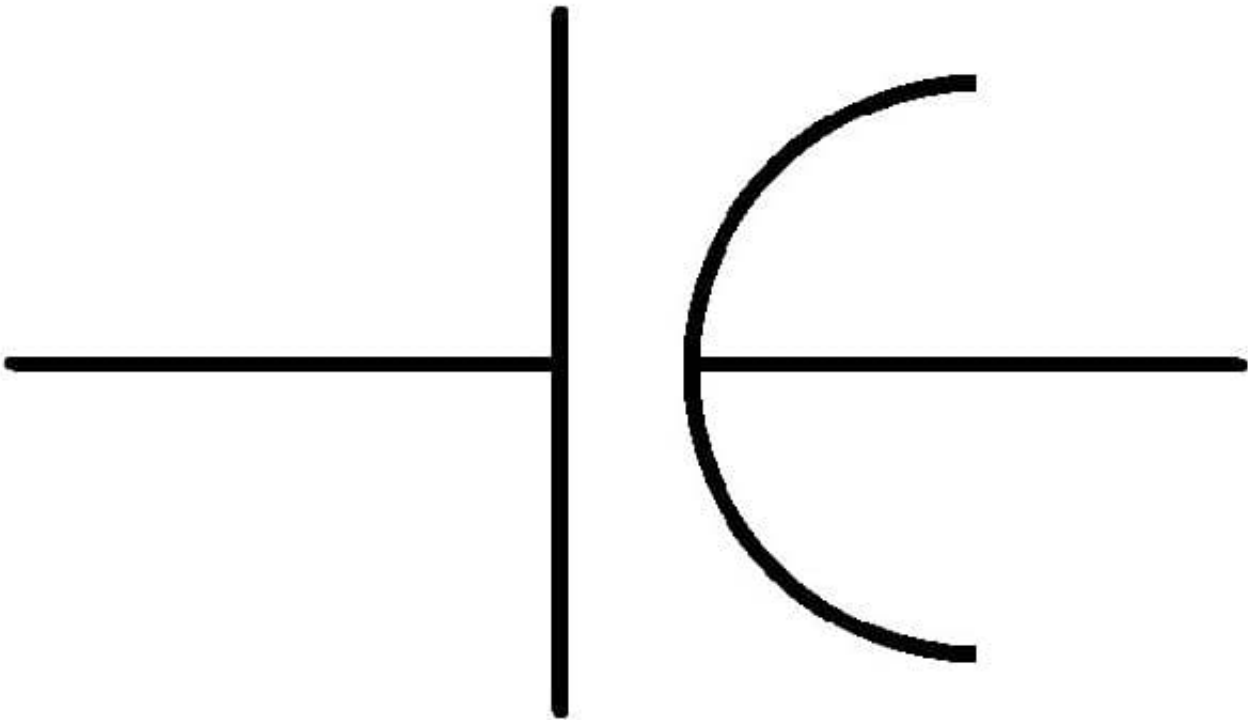
- A. rectifying power-line frequencies and lower currents.
- B. rectifying power-line frequencies and higher currents.
- C. rectifying higher frequencies at lower currents.
- D. rectifying higher frequencies at higher currents.

Correct Answer: B

A junction diode has a larger surface area than a point-contact diode, therefore it can be used to handle larger currents at power-line frequencies.

QUESTION 13

The symbol below is used in electrical diagrams to represent a _____.



- A. resistor
- B. capacitor
- C. transformer
- D. transistor

Correct Answer: B

The symbol is used in electrical diagrams to represent a capacitor.

QUESTION 14

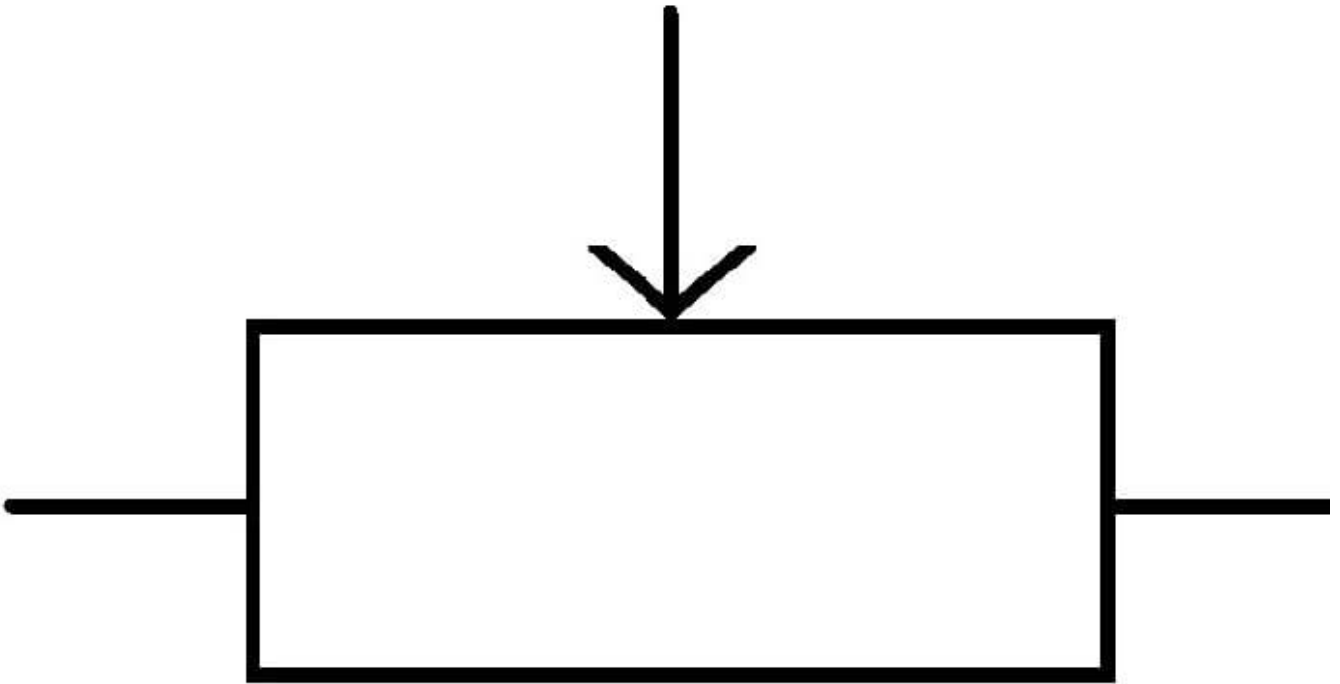
A resistor marked 2.5K ohms has the value of _____.

- A. 2.5 ohms
- B. 250 watts
- C. 2,500 ohms
- D. 25,000 ohms

Correct Answer: C

2.5K ohms is 2,500 ohms. K = one kilo or 1,000.

QUESTION 15



The above symbol represents a _____.

- A. rheostat
- B. capacitor
- C. relay
- D. potentiometer

Correct Answer: A

This type of variable resistor is usually used to control voltage.

[ASVAB-SECTION-5 PDF Dumps](#)

[ASVAB-SECTION-5 VCE Dumps](#)

[ASVAB-SECTION-5 Study Guide](#)