

4A0-N01^{Q&As}

Nuage Networks Virtualized Cloud Services (VCS) Fundamentals

Pass Nokia 4A0-N01 Exam with 100% Guarantee

Free Download Real Questions & Answers **PDF** and **VCE** file from:

<https://www.certbus.com/4a0-n01.html>

100% Passing Guarantee
100% Money Back Assurance

Following Questions and Answers are all new published by Nokia
Official Exam Center

- ⚙️ **Instant Download** After Purchase
- ⚙️ **100% Money Back** Guarantee
- ⚙️ **365 Days** Free Update
- ⚙️ **800,000+** Satisfied Customers



QUESTION 1

What statement is FALSE regarding the forwarding policies used in VCS for traffic redirection (also known as service chaining)?

- A. Forwarding policies can be applied to either ingress or egress traffic.
- B. Redirection targets should be created in advance and associated with vPorts.
- C. Redirection targets cannot be associated with host vPorts (physical appliances).
- D. A forwarding policy can be created in an active domain or be instantiated from a template.

Correct Answer: D

Reference:

<https://www.nuagenetworks.net/wp-content/uploads/2020/06/>

Nuage_Networks_Service_Chaining_Technical_Description_Document_EN-compressed.pdf

QUESTION 2

Which protocol is used for VSC federation?

- A. BGP VPN-IPv4
- B. BGP EVPN
- C. Openflow
- D. XMPP

Correct Answer: C

The VSC uses standard protocols to peer with existing networks, allowing it to discover full network topology and reachability. Through Openflow, it distributes relevant switching and routing information to hypervisors within the virtualized datacenter network.

Reference: <http://www.nuagenetworks.net/wp-content/uploads/2015/08/NuageNetworks-ArchitectureWhite-Paper.pdf>

QUESTION 3

On which Kubernetes node is the Nuage-kube-mon component installed?

- A. On the worker node.
- B. On the master node.
- C. On the network node.

D. On a dedicated gateway node.

Correct Answer: A

QUESTION 4

What statement best describes the concept of Policy-Based Automation provided by Nuage Networks?

- A. The virtual machines are automatically instantiated according to the specific policy defined in the CMS.
- B. Network devices as TOR/EOR switch, and leaf/spine routers, are automatically provisioned based on the configuration policy.
- C. The Nuage Networks VCS solution can integrate with any CMS, operate on any hypervisor, and be deployed in any data center network.
- D. The overlay network instances are automatically created according to the configuration details defined in a specific policy.

Correct Answer: C

QUESTION 5

What statement regarding Openflow sessions in data center networks is TRUE?

- A. By default, the Openflow session is established with TCP port 6633.
- B. Openflow sessions run between VSCs.
- C. Security is mandatory with SSL encryption.
- D. Openflow sessions can be established over either the data plane or the management plane.

Correct Answer: C

SSL (Secure Sockets Layer) is the standard security.

QUESTION 6

What is NOT a service model in cloud computing? (Choose three.)

- A. Software as a Service (SaaS)
- B. Cloud as a Service (CaaS)
- C. Infrastructure as a Service (IaaS)
- D. Platform as a Service (PaaS)

Correct Answer: ACD

Reference: <https://www.openintnl.com/the-three-service-models-of-cloud-computing/>

QUESTION 7

What is NOT a function performed by VSD?

- A. VSD is the service definition point where all the network service and policy templates are created.
- B. VSD is an analytics engine that can provide historic and real time information on the network and the VM usage of the network.
- C. VSD communicates to the cloud management systems through RESTful APIs.
- D. VSD is the DNS and NTP server for the datacenter network.

Correct Answer: C

QUESTION 8

Which of the following is a solution to create virtual machines in which the server runs the hypervisor as a specialized operating system and, as a consequence, there is no need for a conventional operating system?

- A. Kernel
- B. Container
- C. Native hypervisor
- D. Hosted hypervisor

Correct Answer: B

QUESTION 9

Consider a domain with 3 subnets; each subnet has one virtual machine. Each virtual machine is created on a different HV. How many EVPNs are created on each HV with backhaul VPLS AND without backhaul VPLS?

- A. With backhaul VPLS, there is 1 EVPN; without backhaul VPLS, there are 4 EVPNs on each HV.
- B. With backhaul VPLS, there is 1 EVPN; without backhaul VPLS, there are 3 EVPNs on each HV.
- C. With backhaul VPLS, there are 2 EVPNs; without backhaul VPLS, there are 4 EVPNs on each HV.
- D. With backhaul VPLS, there are 2 EVPNs; without backhaul VPLS, there are 3 EVPNs on each HV.

Correct Answer: B

QUESTION 10

Which two elements of the Nuage Networks VCS Solution act respectively as the control and data plane of a virtual router?

- A. VSD and VSC
- B. VSC and VSG
- C. VSC and VRS
- D. VSD and VSG

Correct Answer: C

Reference: https://www.nuagenetworks.net/wp-content/uploads/2020/06/Nuage_Networks_VSP_Data_Sheet_EN.pdf

QUESTION 11

The ML2 plug-in is part of which OpenStack project?

- A. Neutron
- B. Ironic
- C. Nova
- D. Heat

Correct Answer: A

Reference: <https://docs.openstack.org/mitaka/networking-guide/config-ml2.html>

QUESTION 12

What statement about Open vSwitch is TRUE?

- A. It is a standard virtual switch that can run on any operating system.
- B. It can only be configured using Openflow by an SDN controller.
- C. It provides tunneling mechanisms, for example: VXLAN.
- D. It supports most of the open protocols, for example: OSPF, BGP.

Correct Answer: C

QUESTION 13

What three main components comprise the Nuage Networks VCS solution?

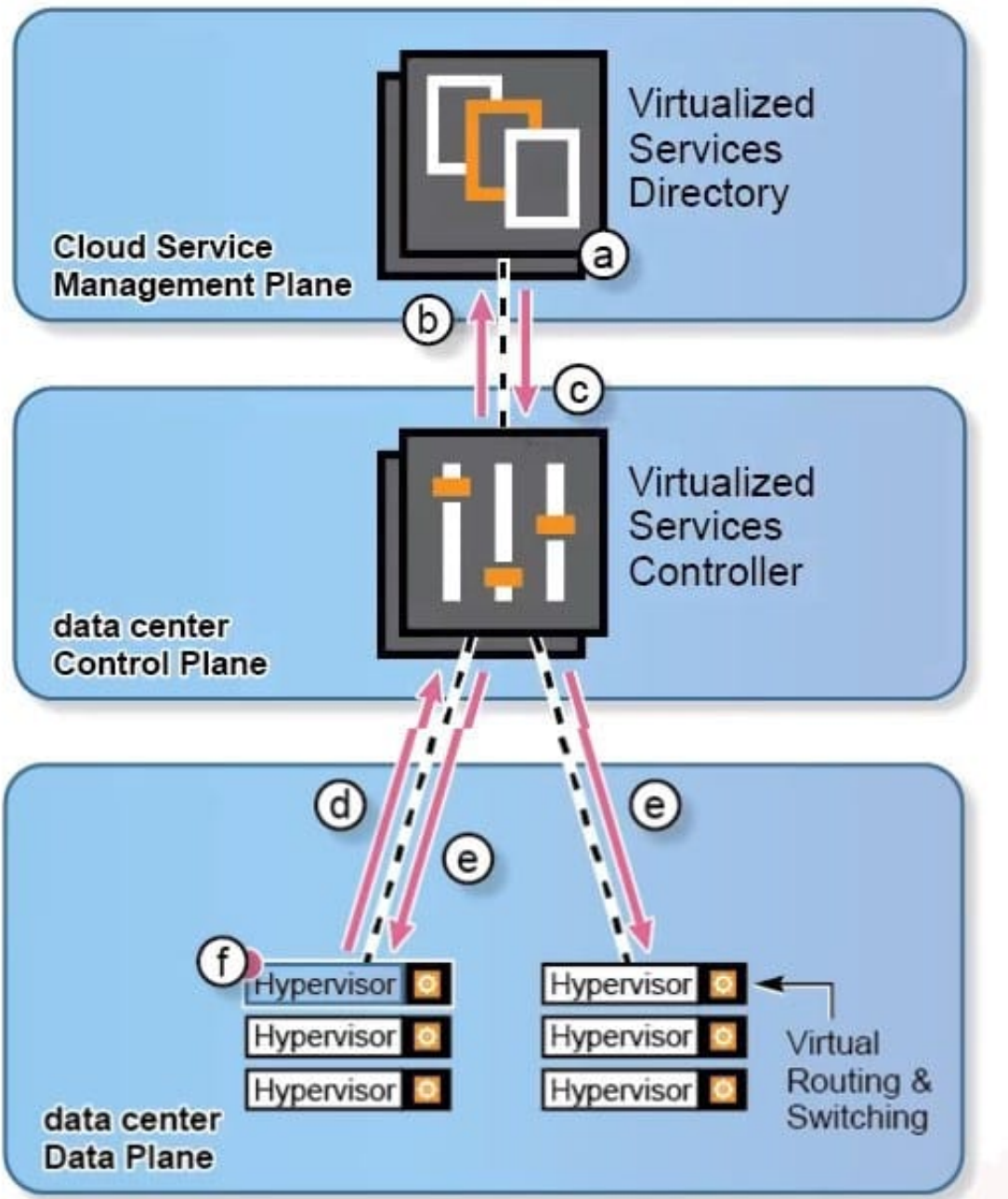
- A. VSD, VSC, and VSG
- B. VSD, VSC, and VRS
- C. VNS, VSC, and VSG
- D. VNS, VRS, and VSG

Correct Answer: B

Reference: <https://www.nuagenetworks.net/products/virtualized-cloud-services/>

QUESTION 14

Refer to the diagram.



What is the correct sequence of events for a VM to be instantiated, and for its required network connectivity to be created with the Nuage VCS solution?

a.

Network domain and policy templates are defined on VSD.

b.

VSC queries VSD on network service and policies.

c.

VSD provides VSC with network service and policies.

d.

VRS agent informs VSC of the new VM placement.

e.

VSC deploys policy to applicable VRS agents.

f.

VM instantiated on the hypervisor.

A.

a->b->c->d->e->f

B.

a->b->c->f->d->e

C.

a->f->d->b->c->e

D.

f->d->b->a->c->e

Correct Answer: D

QUESTION 15

Which of the following is a host-centric overlay solution for a modern data center?

A. SPBM

B. TRILL

C. VxLAN

D. VPLS

Correct Answer: C

Modern data center, traditional technologies are limiting the speed, flexibility, scalability, and manageability of application deployments. There is emerging interest in the industry in overlay technologies (such as

MPLS, VXLAN, LISP...)

Reference: <https://community.cisco.com/t5/data-center-documents/cisco-data-center-overlays-with-focuson-vxlan-slides-from/ta-p/3159545>

[4A0-N01 Practice Test](#)

[4A0-N01 Study Guide](#)

[4A0-N01 Braindumps](#)