

4A0-C04^{Q&As}

Nokia NRS II Composite Exam: OSPF version

Pass Nokia 4A0-C04 Exam with 100% Guarantee

Free Download Real Questions & Answers **PDF** and **VCE** file from:

<https://www.certbus.com/4a0-c04.html>

100% Passing Guarantee
100% Money Back Assurance

Following Questions and Answers are all new published by Nokia
Official Exam Center

- ⚙️ **Instant Download** After Purchase
- ⚙️ **100% Money Back** Guarantee
- ⚙️ **365 Days** Free Update
- ⚙️ **800,000+** Satisfied Customers



QUESTION 1

How does a DMP inform the downstream routers that it has merged detour tunnels?

- A. The DMP sends the DMP_Object in each detour's PATH messages.
- B. The DMP summarizes PATH messages, giving each detour its own MSGJD.
- C. The DMP identifies itself as the previous hop in each detour's PATH message.
- D. The DMP sends a single PATH message containing the merged DETOUR_Objects.

Correct Answer: D

QUESTION 2

Which of the following best describes downstream on demand label distribution?

- A. An LSR answers requests for label mappings immediately, without waiting for a label mapping from the next-hop.
- B. An LSR advertises label mappings to all peers for which it might be a next-hop for a given FEC.
- C. An LSR distributes a label mapping for a FEC when it has been requested to do so.
- D. An LSR propagates a label mapping downstream for a FEC. only if it has a label mapping for the FEC's next-hop.

Correct Answer: C

QUESTION 3

What is the default inbound metric for RIP on the Nokia 7750 SR?

- A. Whatever the advertised metric happens to be.
- B. A value of 1.
- C. This must be administratively set as there is no default value.
- D. A value of 15.

Correct Answer: B

QUESTION 4

In an IP datagram, which field identifies the receiving application

- A. The protocol field of the transport layer header
- B. The port field of the transport layer header

- C. The protocol field of the network layer header
- D. The port field of the network layer address

Correct Answer: B

QUESTION 5

A router in AS 65100 receives two BGP routes. The first route is for 138.1.1.0/24 with an AS Path of 65200 65300, Local Preference of 100, MED of 100, and router ID 10.10.10.10. The second route is for 138.1.0.0/16 with an AS Path of 65500 65300, Local Preference of 150, MED of 100, and router ID 10.1.1.1. Assuming all other attributes are equal, which route would be used to forward an IP packet with destination IP address 138.1.1.1?

- A. The first BGP route.
- B. The second BGP route.
- C. Both routes are used.
- D. It is impossible to determine without the value of the origin code for both routes.

Correct Answer: A

QUESTION 6

Which of the following statements regarding BGP shortcuts is FALSE?

- A. MPLS tunnels are used to carry transit traffic across the network.
- B. A full mesh of iBGP peering sessions is not required,
- C. Edge and transit routers need to be configured with BGP.
- D. The transit routers need to support LDP or RSVP-TE LSPs.

Correct Answer: C

QUESTION 7

Which of the following statements regarding Internet Exchange Points is FALSE?

- A. They provide both peering and transit services.
- B. They provide services only to Tier 1 service providers.
- C. They can be either public or private.
- D. They provide services at the local, regional and continental levels.

Correct Answer: B

QUESTION 8

A static route is created using the command "static-route 0.0.0.0/0 next-hop 3.3.3.1". What command could be used to test the static route on an Nokia 7750 SR?

- A. Ping static 3.3.3.1
- B. Ping static 0.0.0.0/0
- C. Ping 3.3.3.1
- D. Ping 0.0.0.0

Correct Answer: C

QUESTION 9

Click the exhibit.

```
#-----  
echo "BGP Configuration"  
#-----  
    bgp  
        group "multi-bgp"  
            ? ? ?  
            neighbor 10.10.10.2  
                local-address 10.10.10.1  
                peer-as 64496  
            exit  
        exit  
    exit  
exit
```

This PE is connected to an IPv4 core and is being configured to support 6VPE for a VPRN. Which of the following completes this section of the configuration?

- A. Family ipv4
- B. Family ipv6
- C. Family ipv4 ipv6
- D. Family vpn-ipv4
- E. Family vpn-ipv4 vpn-ipv6

Correct Answer: E

QUESTION 10

Which of the following is a characteristic of LDP Hello messages?

- A. They are multicast to the All Hosts address.
- B. They are broadcast to the subnet broadcast address.
- C. They are multicast to the All Routers address.
- D. They are broadcast or multicast, depending on the physical media.

Correct Answer: C

QUESTION 11

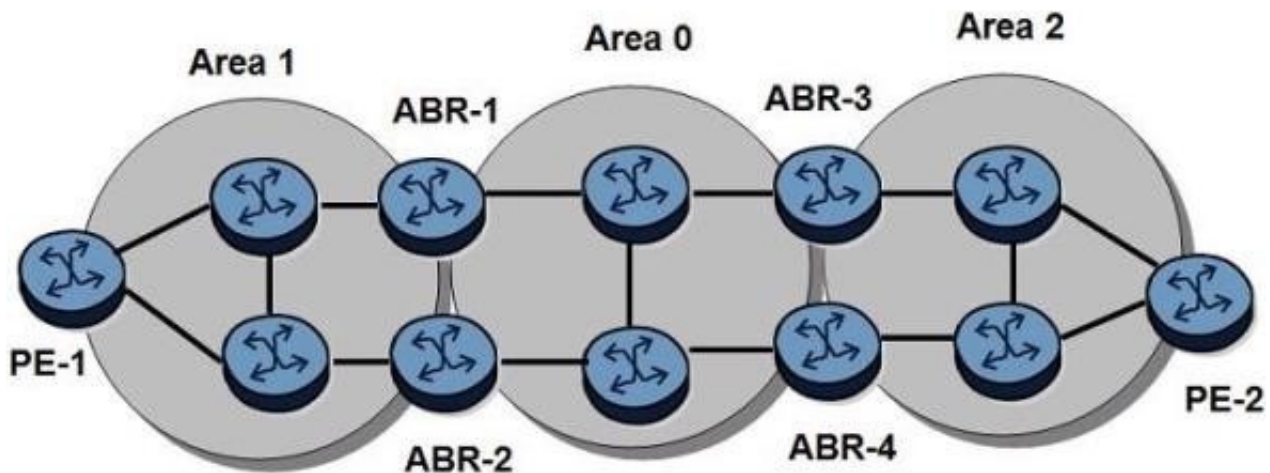
Which of the following statements best describes the function of an OSPF Type 4 LSA?

- A. A Type 4 LSA is originated by an ABR to describe a route to an ASBR to routers outside the area.
- B. A Type 4 LSA is originated by an ASBR to describe a route to itself to routers outside the area.
- C. A Type 4 LSA is originated by an ABR that is connected to a stub area. The LSA is injected into the backbone area to provide routing information.
- D. A Type 4 LSA is originated by an ABR that is connected to a stub area. The LSA is injected into the stub area to provide routing information.

Correct Answer: A

QUESTION 12

Click on the exhibit.



An LDP-over-RSVP tunnel is established between PE-1 and PE-2. Which of the following is NOT required to protect the LDP-over-RSVP tunnel?

- A. PE-1 requires T-LDP sessions to both ABR-1 and ABR-2.
- B. PE-1 requires a full mesh of RSVP-TE LSPs to all routers in area 1.
- C. ABR-1 requires T-LDP sessions to all ABRs in area 0.
- D. PE-1 requires fast reroute enabled on all RSVP-TE LSPs.

Correct Answer: B

QUESTION 13

Click on the exhibit.

A. *A:R3>conf g>router>ospf
area 0.0.0.0
interface 'toR4'
area 0.0.0.1
interface 'toR2'
*A:R2>conf g>router>ospf
area 0.0.0.0
interface 'toR3'
*A:R4>conf g>router>ospf
area 0.0.0.0
interface 'toR3'
interface-type point-to-point

B. *A:R3>config>router>ospf
area 0.0.0.0
interface "toR4"
interface-type point-to-point
area 0.0.0.1
interface "toR2"
*A:R2>config>router>ospf
area 0.0.0.0
interface "toR3"
*A:R4>config>router>ospf
area 0.0.0.0
interface "toR3"

C. *A:R3>config>router>ospf
area 0.0.0.0
interface "toR4"
interface-type point-to-point
area 0.0.0.1
interface "toR2"
interface-type point-to-point
*A:R2>config>router>ospf
area 0.0.0.1
interface "toR3"
interface-type point-to-point
*A:R4>config>router>ospf
area 0.0.0.0
interface "toR3"
interface-type point-to-point

```
D. *A.R3>config>router>ospf
    area 0.0.0.0
      interface 'toR4'
        interface-type point-to-point
      area 0.0.0.1
        interface 'toR2'
*A.R2>config>router>ospf
  area 0.0.0.0
interface 'toR3' interface-type point-to-point
*A.R4>config>router>ospf
  area 0.0.0.0
    interface 'toR2'
      interface-type point-to-point
```

```
lsp "LSP-toR6"
  to 10.10.10.6
  cspf
  primary "Primary_Path"
  exit
  secondary "Secondary_Path-1"
  exit
  secondary "Secondary_Path-2"
  exit
  secondary "Secondary_Path-3"
    standby
    path-preference 10
  exit
  secondary "Secondary_Path-4"
    standby
    path-preference 20
  exit
no shutdown
```

If the primary path goes down, which secondary LSP path will the head-end router select first?

- A. Secondary_Path-1
- B. Secondary_Path-2
- C. Secondary_Path-3
- D. Secondary_Path-4

Correct Answer: C

QUESTION 14

Which of the following about Type 10 opaque LSAs is TRUE?

- A. Type 10 opaque LSAs are supported by IS-IS.
- B. Type 10 opaque LSAs are flooded to all areas of the routing domain.
- C. Type 10 opaque LSAs are stored in an LSDB.
- D. Type 10 opaque LSAs are used for traffic engineering support.

Correct Answer: D

QUESTION 15

Which of the following about MPLS shortcuts for IGP on an Nokia 7750 SR is FALSE?

- A. An IGP route takes priority over a transport tunnel.
- B. Both LDP and RSVP-TE based tunnels can be used.
- C. MPLS tunnels can be used to resolve the prefixes learned via IGP.
- D. Multiple MPLS tunnels can be installed in the FIB.

Correct Answer: A

[Latest 4A0-C04 Dumps](#)

[4A0-C04 VCE Dumps](#)

[4A0-C04 Braindumps](#)