

# 4A0-C01<sup>Q&As</sup>

Nokia NRS II Composite Exam

**Pass Nokia 4A0-C01 Exam with 100% Guarantee**

Free Download Real Questions & Answers **PDF** and **VCE** file from:

<https://www.certbus.com/4a0-c01.html>

100% Passing Guarantee  
100% Money Back Assurance

Following Questions and Answers are all new published by Nokia  
Official Exam Center

-  **Instant Download** After Purchase
-  **100% Money Back** Guarantee
-  **365 Days** Free Update
-  **800,000+** Satisfied Customers



**QUESTION 1**

Which of the following is NOT a service offered on the Alcatel-Lucent 7750 SR?

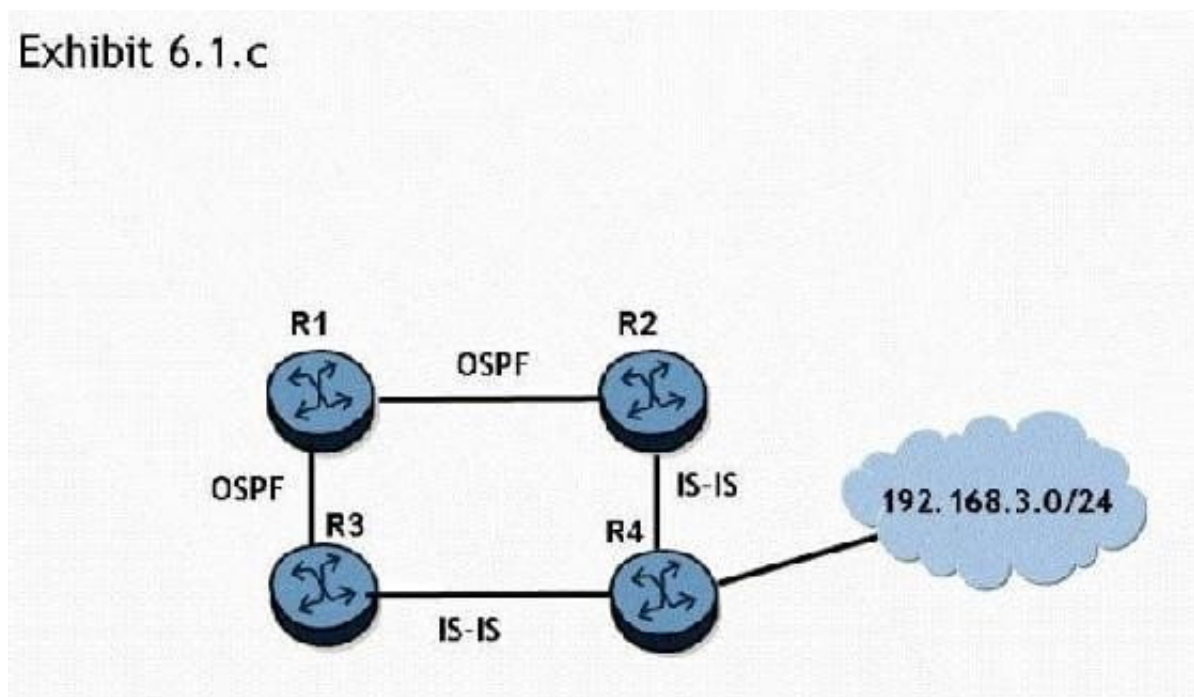
- A. IES
- B. VPWS
- C. VPLS
- D. VPRN
- E. L2TP

Correct Answer: E

**QUESTION 2**

Click the exhibit button.

**Exhibit 6.1.c**



If router R2 redistributes the IS-IS route to 192.168.3.0/24 into OSPF, router R3 preference of these two routes? Choose two answers.

- A. The OSPF internal preference
- B. The IS-IS Level 1 internal preference
- C. The IS-IS Level 2 internal preference
- D. The OSPF external preference

E. The IS-IS Level 2 external preference

F. The IS-IS Level 1 external preference

Correct Answer: BD

---

### QUESTION 3

What are the two major differences between configuring an IES service and configuring VPWS or VPLS services?  
(Choose 2)

A. IES does not support QoS.

B. IES has a configurable IP-MTU

C. A virtual route table must be configured for an IES service.

D. An IES interface has an IP address assigned to it.

Correct Answer: BD

---

### QUESTION 4

Which of the following about Type 4 LSAs is FALSE?

A. A Type 4 LSA is not generated in a single area AS.

B. A Type 4 LSA is generated by the ABRs of the area that contains the ASBR.

C. A Type 4 LSA advertises the external networks connected to the ASBR.

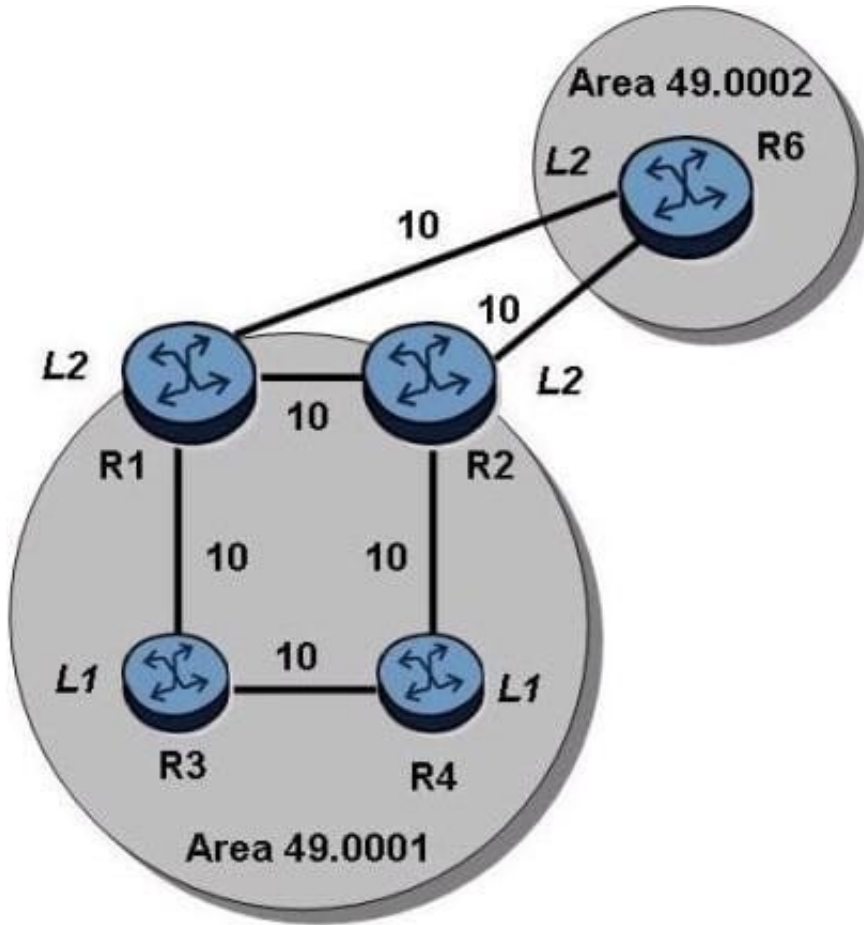
D. A Type 4 LSA is not flooded in the area that contains the ASBR.

Correct Answer: C

---

### QUESTION 5

Click on the exhibit.



Examine the physical topology of the IS-IS network, the metrics of the links and the levels of the routers. All routers have a system address included in IS-IS.

Which of the following describes the route that router R4 will use to reach the system address of router R6?

- A. Router R4 will have a route to router R6's system address with router R2 as the next-hop.
- B. Router R4 will have a default route with router R2 as the next-hop.
- C. Router R4 will have a default route with router R3 as the next-hop.
- D. Router R4 will not have a route that can be used to reach the system address of router R6.

Correct Answer: D

**QUESTION 6**

Which of the following is not one of the MT topologies defined for IS-IS?

- A. IPv4 In-Band Management
- B. IPv6 Routing
- C. IPv4 Multicast Routing

D. IPv6 Multicast Routing

E. All of the above are MT topologies defined for IS-IS.

Correct Answer: E

---

#### QUESTION 7

A customer requests that their Layer 2 Ethernet service be configured to forward frames up to 1514 bytes. The service provider is using MPLS encapsulation and RSVP-TE fast-reroute with facilities bypass on their redundant IP/MPLS network. What is the minimum MTU setting for the network ports?

A. 1514

B. 1528

C. 1536

D. 1540

E. 1560

Correct Answer: D

---

#### QUESTION 8

What are the ways the RID can be created on an Alcatel-Lucent 7750 SR router? (Choose three) A. From the last 32 bits of the chassis MAC address

B. From the first 32 bits of the chassis MAC address

C. The loopback IP address

D. By using the command "config router ospf rid X.X.X.X"

E. From the system IP address

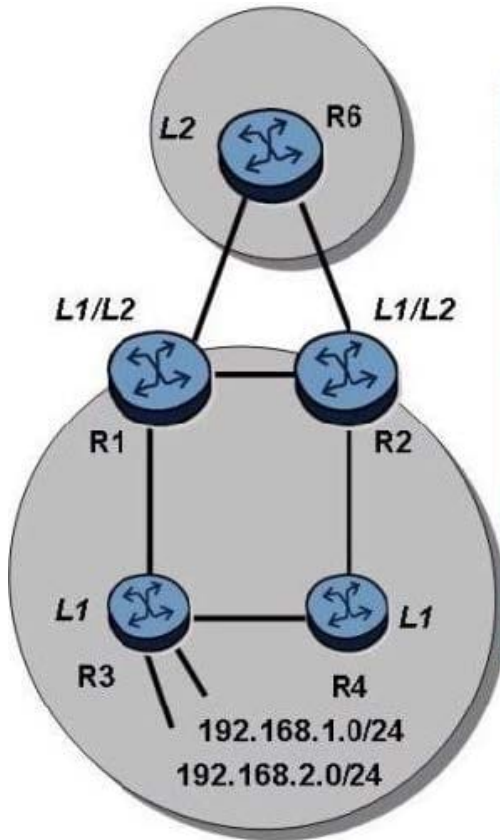
F. From the highest interface IP address

Correct Answer: ADE

---

#### QUESTION 9

Click on the exhibit.



```

Displaying Level 2 database
-----
LSP ID   : R1.00-00   Level: L2
... output omitted ...
TLVs :
  TE IP Reach  :
    Default Metric : 100
    Control Info:  , prefLen 24
    Prefix   : 10.1.6.0
    Default Metric : 0
    Control Info:  , prefLen 32
    Prefix   : 10.10.10.1
    Default Metric : 100
    Control Info:  , prefLen 20
    Prefix   : 192.168.0.0
    Default Metric : 200
    Control Info:  , prefLen 24
    Prefix   : 10.2.4.0
Level (2) LSP Count : 1
=====
  
```

```

Displaying Level 2 database
-----
LSP ID   : R2.00-00   Level: L2
... output omitted ...
TLVs :
  TE IP Reach  :
    Default Metric : 100
    Control Info:  , prefLen 24
    Prefix   : 10.2.6.0
    Default Metric : 0
    Control Info:  , prefLen 32
    Prefix   : 10.10.10.2
    Default Metric : 150
    Control Info:  , prefLen 20
    Prefix   : 192.168.0.0
    Default Metric : 200
    Control Info:  , prefLen 24
    Prefix   : 10.1.3.0
Level (2) LSP Count : 1
=====
  
```

Given the contents of the LSPs from routers R1 and R2, which of the following is TRUE?

- A. Router R1 summarizes the prefixes from router R3 as 192.168.0.0/16 and router R2 does not summarize the prefixes.
- B. Router R1 does not summarize the prefixes from routers R3 and R2 summarizes them as 192.168.0.0/16.
- C. Router R1 summarizes the prefixes from router R3 as 192.168.0.0/20 and router R2 does not summarize the prefixes.
- D. Router R1 does not summarize the prefixes from routers R3 and R2 summarizes them as 192.168.0.0/20.
- E. Both routers R1 and R2 summarize the prefixes from R3 as 192.168.0.0/20.
- F. Neither router R1 nor router R2 summarizes the prefixes from router R3.

Correct Answer: E

**QUESTION 10**

Link-state PDUs include an age field. Which of the following is FALSE?

- A. When link-state information reaches the maximum age on a router, the router will flood that information to its neighbors.
- B. When a router detects that any of its link-state information has reached the maximum age, it will request a new update from the source router.

- C. Aging helps ensure that links, which are no longer part of the topology, will eventually get removed from the LSDB.
- D. The age value is updated as the information is flooded throughout the network and when it is in the LSDB.

Correct Answer: B

---

#### QUESTION 11

An OSPF ASBR must have at least one interface in the backbone area (area 0)

- A. True
- B. False

Correct Answer: B

---

#### QUESTION 12

A VPRN service is configured with BGP used as the CE-PE routing protocol. What address families are required on the PE-CE BGP session?

- A. VPN-IPv4 address families are required in order for routes to be exchanged with the PE.
- B. Only default IPv4 address families are required since the CE is not aware of the VPRN service
- C. Either IPv4 or VPN-IPv4 address families can be configured on the PE-CE BGP session
- D. An IPv4 address family configuration is required for the PE-PE configuration.

Correct Answer: B

---

#### QUESTION 13

Which of the following prerequisites must you configure on a router to enable LDP-over- RSVP support? (Choose two)

- A. Configure the T-LDP peers for tunneling.
- B. Configure tunneled T-LDP sessions between PE routers.
- C. Enable ldp-over-rsvp in the IGP configuration on the PEs and ABRs
- D. Enable LSP stitching on the RSVP LSPs

Correct Answer: AC

---

#### QUESTION 14

Which of the following statements regarding the IS-IS CSNP is false?



- A. CSNPs are used to maintain consistency in the link state database.
- B. CSNPs are advertised before an adjacency is formed with another router.
- C. There are two types of CSNPs: Level 1 and Level 2.
- D. CSNPs are advertised after an adjacency is formed with another router.

Correct Answer: B

**QUESTION 15**

Click the exhibit.

```

A:R4# show router 100 fib 1
-----
FIB Display
-----
Prefix                               Protocol
  NextHop
-----
10.1.5.0/24
   10.10.10.1 (VPRN Label:131067 Transport:LDP)
10.6.4.0/24
   10.6.4.0 (R4-R6)
10.10.10.5/32
   10.10.10.1 (VPRN Label:131067 Transport:LDP)
10.10.10.6/32
   10.6.4.6 Indirect (R4-R6)
192.168.10.0/24
   10.10.10.1 (VPRN Label:131067 Transport:LDP)
192.168.20.0/24
   10.6.4.6 Indirect (R4-R6)
-----
Total Entries : 6
-----
  
```

The output is from PE router R4 about VPRN service 100. How many prefixes have been learned from the MP-BGP protocol?

- A. 0
- B. 2
- C. 3
- D. 6

Correct Answer: C