

4A0-106^{Q&As}

Alcatel-Lucent Virtual Private Routed Networks

Pass Alcatel-Lucent 4A0-106 Exam with 100% Guarantee

Free Download Real Questions & Answers **PDF** and **VCE** file from:

<https://www.certbus.com/4a0-106.html>

100% Passing Guarantee
100% Money Back Assurance

Following Questions and Answers are all new published by Alcatel-Lucent Official Exam Center

- ⚙️ **Instant Download** After Purchase
- ⚙️ **100% Money Back** Guarantee
- ⚙️ **365 Days** Free Update
- ⚙️ **800,000+** Satisfied Customers



QUESTION 1

Which of the following describes the goal of an Extranet VPRN?

- A. To reduce the number of VPRN tunnels required.
- B. To allow routes to be exchanged between all, or selected, sites of one VPRN, and all, or selected, sites of a second VPRN.
- C. To simplify the administration of multiple VPRNs.
- D. To allow network access between the headquarter sites of each VPRN service and a shared VPRN service offered by a third party.

Correct Answer: B

QUESTION 2

If Route Reflector 1 (RR1) is used for Internet routes, and Route Reflector 2 (RR2) is used for VPN routes, which of the following is TRUE?

- A. BGP sessions established between RR2 and the PEs support IPv4 and VPN-IPv4 address families.
- B. BGP sessions established between RR1 and the PEs support the IPv4 address family only.
- C. BGP sessions established between RR1 and the PEs support IPv4 and VPN-IPv4 address families.
- D. BGP sessions established between RR2 and the PEs support the IPv4 address family only.

Correct Answer: B

QUESTION 3

Click the exhibit.

```

A:CE-1# show router bgp routes
=====
BGP Router ID : 10.10.10.76      AS : 65200      Local AS : 65200
=====
Legend -
Status codes  : u - used, s - suppressed, h - history, d - decayed, * - valid
Origin codes  : i - IGP, e - EGP, ? - incomplete, > - best
=====
BGP Routes
=====
Flag  Network                Nexthop                LocalPref  MED
      VPN Label              As-Path
-----
u*>? 10.1.2.0/24              10.16.1.1             none       none
      65100 65100
u*>? 10.10.10.78/32         10.16.1.1             none       none
      65100 65100
u*>i  10.32.1.0/24            10.16.1.1             none       none
      65100

```

Assuming that the as-override command is used, what is the most likely location of prefix 10.1.2.0/24?

- A. The prefix is located in an Autonomous System directly connected to this router.
- B. There is a single Autonomous System between the local AS and the AS that originated the prefix.
- C. There are two Autonomous Systems between the local AS and the AS that originated the prefix.
- D. The prefix is located in Autonomous System 65100.

Correct Answer: B

QUESTION 4

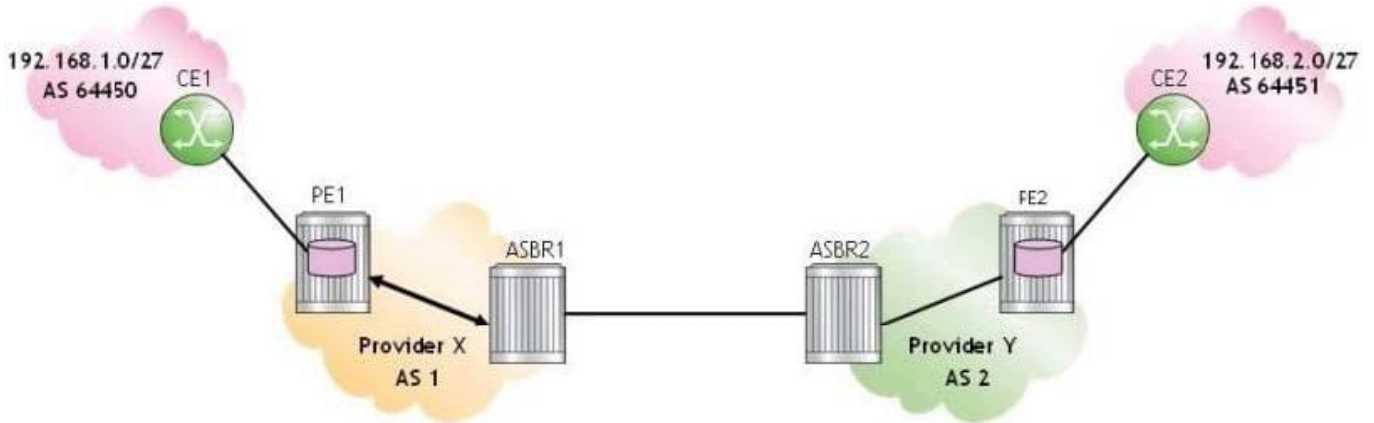
Which of the following about the Route Target is TRUE?

- A. The Route Target is added to an IPv4 route to create the VPN-IPv4 route.
- B. The Route Target is an extended community string that identifies VPN membership.
- C. A route can have only one Route Target.
- D. The Route Target is a 64-bit value added to customer prefixes to make them unique.

Correct Answer: B

QUESTION 5

Click the exhibit.



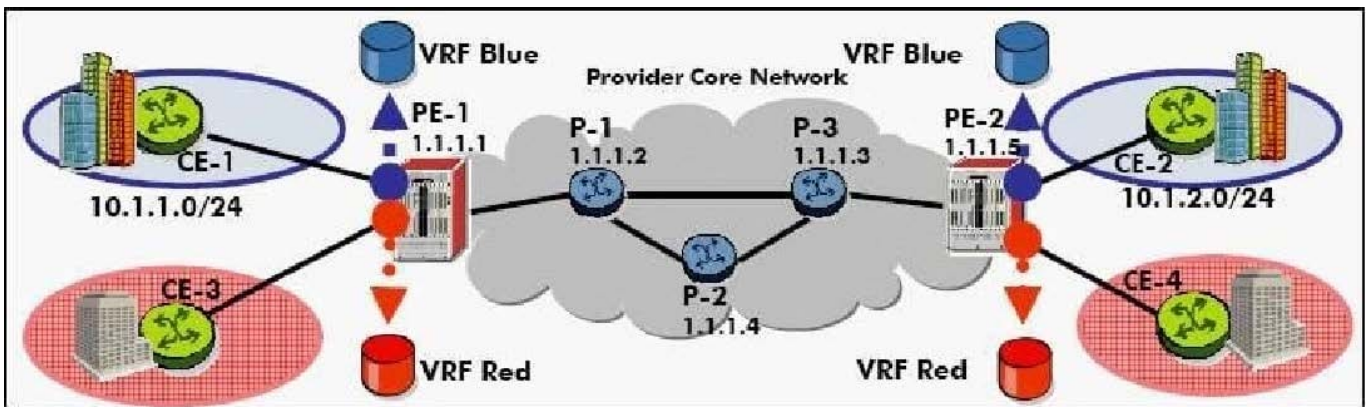
For the inter-AS model B VPRN, which of the following protocols is used to advertise routes between PE1 and ASBR1?

- A. iBGP
- B. eBGP
- C. MP-iBGP
- D. MP-eBGP

Correct Answer: C

QUESTION 6

Given the following VPRN topology: The VPRN service 10 is correctly configured and operational with OSPF as the PE to CE routing protocol at both customer sites. The OSPF database on CE-A contains Type 1 LSAs. These routes will appear as what LSA type on CE-B?



```
PE-1# show router bgp routes
```

```
=====
BGP Router ID : 10.10.10.75      AS : 65100   Local AS : 65100
=====
```

```
Legend -
```

```
Status codes : u - used, s - suppressed, h - history, d - decayed, * - valid
```

```
Origin codes : i - IGP, e - EGP, ? - incomplete, > - best
=====
```

```
BGP Routes
```

```
=====
Flag Network                Nexthop      LocalPref  MED
   VPN Label                As-Path
-----
u*>i 65100:10:10.1.2.0/24    1.1.1.5     100        2
      131070                No As-Path
=====
```

- A. These routes will not appear on CE-B
- B. Type 1 LSAs
- C. Type 3 LSAs
- D. Type 5 LSAs
- E. Type 7 LSAs

Correct Answer: D

QUESTION 7

An advantage of using BGP as the PE-CE protocol is that route policies are no longer required to control the exchange of routes from BGP to MP-BGP.

- A. True
- B. False

Correct Answer: B

QUESTION 8

Which of the following about Carrier Supporting Carrier (CSC) VPRN is FALSE?

- A. CSC does not allow a customer carrier to offer Layer 2 services to its end customers.
- B. A CSC VPRN is configured on the network provider's CSC-PE routers.
- C. CSC eliminates the need for customer carriers to build and maintain their own MPLS backbone.
- D. The network provider provides an MPLS VPN backbone to the customer carrier.

Correct Answer: A

QUESTION 9

Complete the following statement. In a VPRN, the inner label is used to _____.

- A. Identify the customer network on the egress PE
- B. Establish the LSPs between PE devices
- C. Identify the egress PE in the MPLS domain
- D. Identify the customer network on the ingress PE

Correct Answer: A

QUESTION 10

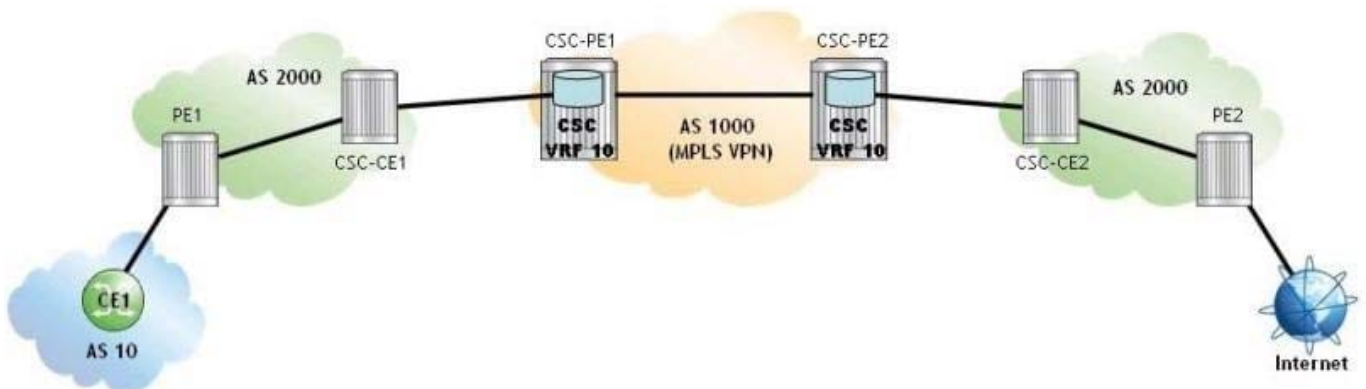
Which of the following about eBGP Load Balancing is FALSE?

- A. ecmp and multipath must be configured within the VPRN instance.
- B. The RD of the VPRN on the local PE must be different from the RD of the remote PEs.
- C. Is enabled in the config>router>bgp context
- D. Allows a PE router to load share traffic across routes learned from both direct CE-PE peerings and MPBGP peerings.

Correct Answer: C

QUESTION 11

Click the exhibit.



A Carrier Supporting Carrier (CSC) VPRN is configured for a customer carrier who is an Internet Service Provider (ISP). Which of the following about route distribution is FALSE?

- A. The VRF 10 on CSC-PE1 includes PE1 and PE2's system addresses.

- B. The global routing table of PE1 includes PE2's system address.
- C. The VRF 10 on CSC-PE2 includes CE1's address.
- D. The global routing table of PE2 includes CE1's address.

Correct Answer: C

QUESTION 12

In a VPRN that uses MPLS transport tunnels, which of the following statements about P devices is TRUE?

- A. P devices participate in service provider core routing.
- B. P devices are not required to be MPLS-enabled.
- C. P devices must be aware of the VPRNs.
- D. P devices must support MP-BGP.

Correct Answer: A

QUESTION 13

What is the purpose of the Route Distinguisher?

- A. It defines the VPN membership
- B. It defines which routes are imported into the vrf
- C. It defines which routes are exported from the vrf
- D. It is used to make IPv4 addresses unique
- E. It is used as the VPN label

Correct Answer: D

QUESTION 14

Which of the following about BGP Site of Origin (SoO) is FALSE?

- A. The SoO attribute can be used to uniquely identify the site from which a PE learns routes.
- B. Before a PE redistributes a VPN-IPv4 route, it can assign an SoO attribute to the route.
- C. The SoO attribute can be used to prevent loops from a single site with multiple CE-PE connections.
- D. The SoO attribute can be used as matching criteria when redistributing routes from the CE to the PE.

Correct Answer: D

QUESTION 15

For a Carrier Supporting Carrier (CSC) VPRN where the customer carrier is an ISP that provides Internet connectivity to its end-customers, which of the following is FALSE?

- A. All traffic exchanged between end-customers is carried over a single CSC VRF.
- B. Customer carrier PE routers residing in different sites must run eBGP between them to exchange customers' routes.
- C. The customer carrier network can be a pure IP network.
- D. MPLS can be used in the customer carrier network to improve scalability.

Correct Answer: B

[Latest 4A0-106 Dumps](#)

[4A0-106 VCE Dumps](#)

[4A0-106 Study Guide](#)