

300-915^{Q&As}

Developing Solutions using Cisco IoT and Edge Platforms (DEVIOT)

Pass Cisco 300-915 Exam with 100% Guarantee

Free Download Real Questions & Answers **PDF** and **VCE** file from:

<https://www.certbus.com/300-915.html>

100% Passing Guarantee
100% Money Back Assurance

Following Questions and Answers are all new published by Cisco
Official Exam Center

- ⚙️ **Instant Download** After Purchase
- ⚙️ **100% Money Back** Guarantee
- ⚙️ **365 Days** Free Update
- ⚙️ **800,000+** Satisfied Customers



QUESTION 1

How does the Cisco router (IR) and switch (IE) portfolio support edge data services?

- A. Edge data services can be run and managed as containers using Cisco IOx.
- B. Edge data services can run only in virtual machines on a separate compute layer.
- C. Edge data services are aliases for IR/IE configuration services.
- D. Edge data services run as separate instances only on virtual machines.

Correct Answer: C

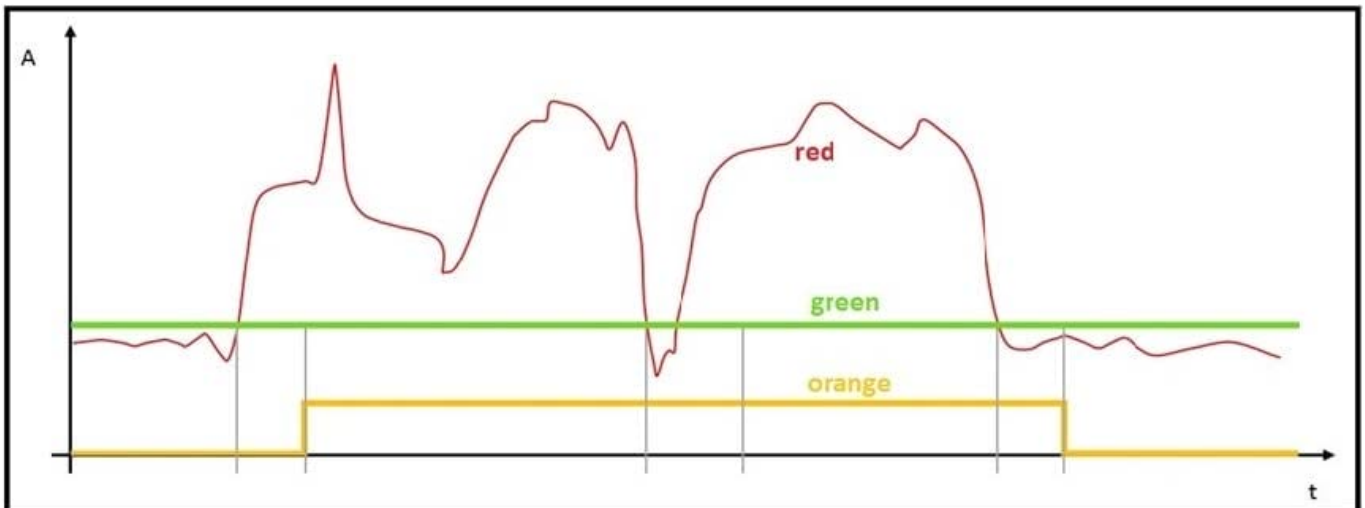
QUESTION 2

Which two statements about how to provision and manage data originators in a cloud environment are true? (Choose two.)

- A. The provisioning of digital identities is the responsibility of the data originators.
- B. Cloud providers offer services for automated device provisioning, which allows the lifecycle of the cloud-representation for data originators to be managed.
- C. Cloud providers offer application programming interfaces, which allow a programmatic provisioning of data originators.
- D. There is no need to provision and manage access for data originators in the cloud.
- E. The access to public clouds must be configured and managed manually.

Correct Answer: CE

QUESTION 3



Refer to the exhibit. The graph has been provided by the monitoring team to the IoT Engineer. The red line represents the consumption of energy from an industrial machine.

Which two pieces of information can be captured? (Choose two.)

- A. The green graph visualizes the mean value of the data points.
- B. The green graph visualizes if the electronic device is not in stand-by mode.
- C. The orange graph visualizes a boolean: power on/off.
- D. The orange graph contains more information than the red graph.

Correct Answer: AC

QUESTION 4

```
log: Sending CONNECT (u1, p1, wr0, wq0, wf0, cl, k60) client_id=b'IR829_gateway'  
log: Sending PUBLISH (d0, q0, r0, m1), 'b'/v1/json/dev2app/modbussensor'', ... (23 bytes)  
log: Received CONNACK (0, 4)  
Connected with result code 4  
Disconnected with result code 0
```

Refer to the exhibit. Based on the MQTT client output, which action should be taken so that the connection to the broker can be established?

- A. Change the username/password.
- B. Open port 1883 on the network firewall.
- C. Change the IP address of the broker.
- D. Add the certificate.

Correct Answer: A

QUESTION 5

Which two actions must be completed before starting the process of sending IoT data to the cloud via edge routers? (Choose two.)

- A. Measure the voltage, power rating, and quiescent current for the sensors that send data to the cloud.
- B. Gather the hardware (MAC) addresses of local and cloud routers to ensure low latency communication.
- C. Collect information about the CPU architecture in the cloud and edge to ensure that they match.
- D. Gather the interval, the volume, and the latency that the data must be provisioned with.
- E. Collect information about growth, required elasticity, and high availability of the provisioning process.

Correct Answer: DE

QUESTION 6

An IOx application is installed via Local Manager. Every time the application is started, it instantly stops.

Which troubleshooting steps should be taken?

- A. There is something wrong with the application code itself.
- B. Check the startup and endpoint parameters.
- C. Give the IOx application more CPU units.
- D. Check local IOx settings, especially the network settings.

Correct Answer: C

QUESTION 7

DRAG DROP

Drag and drop the tasks from the left into the correct order on the right for transporting data from sensors to the cloud, in order to extract the machine data and use the cloud-based analytics for predictive maintenance.

Select and Place:

Develop a dashboard for data consumption based on business needs.	
Remove duplicates and send filtered data to cloud.	
Extract information from OPC using custom drivers or DSlink.	
Interface the machine sensors using OPC based middleware.	
Process real time critical alerts for immediate action.	

Correct Answer:

	Develop a dashboard for data consumption based on business needs.
	Interface the machine sensors using OPC based middleware.
	Extract information from OPC using custom drivers or DSlink.
	Remove duplicates and send filtered data to cloud.
	Process real time critical alerts for immediate action.

QUESTION 8

```
import requests
import time

api_token = "ddd906922b8581e3.VoNzzzNgsYmKIgjjg5AEPxGe-nNFZnJzn9n_Wv_-gAHY"
organization_id = 900
api_url_base = "https://eu.ciscokinetic.io/api/v2/"
headers = {"Content-Type": "application/json",
           "Authorization": "Token {}".format(api_token)}

r = requests.get(api_url_base+"organizations/{}/gate_ways".format(organization_id), headers=headers)

if r.status_code == requests.codes.ok:
    output = r.json()
else:
    print("Errorr {}. Message: {}".format(r.status_code, r.content))

Error 401. Message: b'{"error_code": "invalid_api_token", "errors": ["Invalid API token, authentication failure."}]'
```

Refer to the exhibit. The code and the error message that are received when the code is run is presented.

What causes issues authenticating with Cisco GMM API using the web-generated API key?

- A. firewall that blocks authentication ports
- B. incorrect username and password
- C. incorrect GMM Cluster selection
- D. incorrect key size and data encryption

Correct Answer: B

QUESTION 9

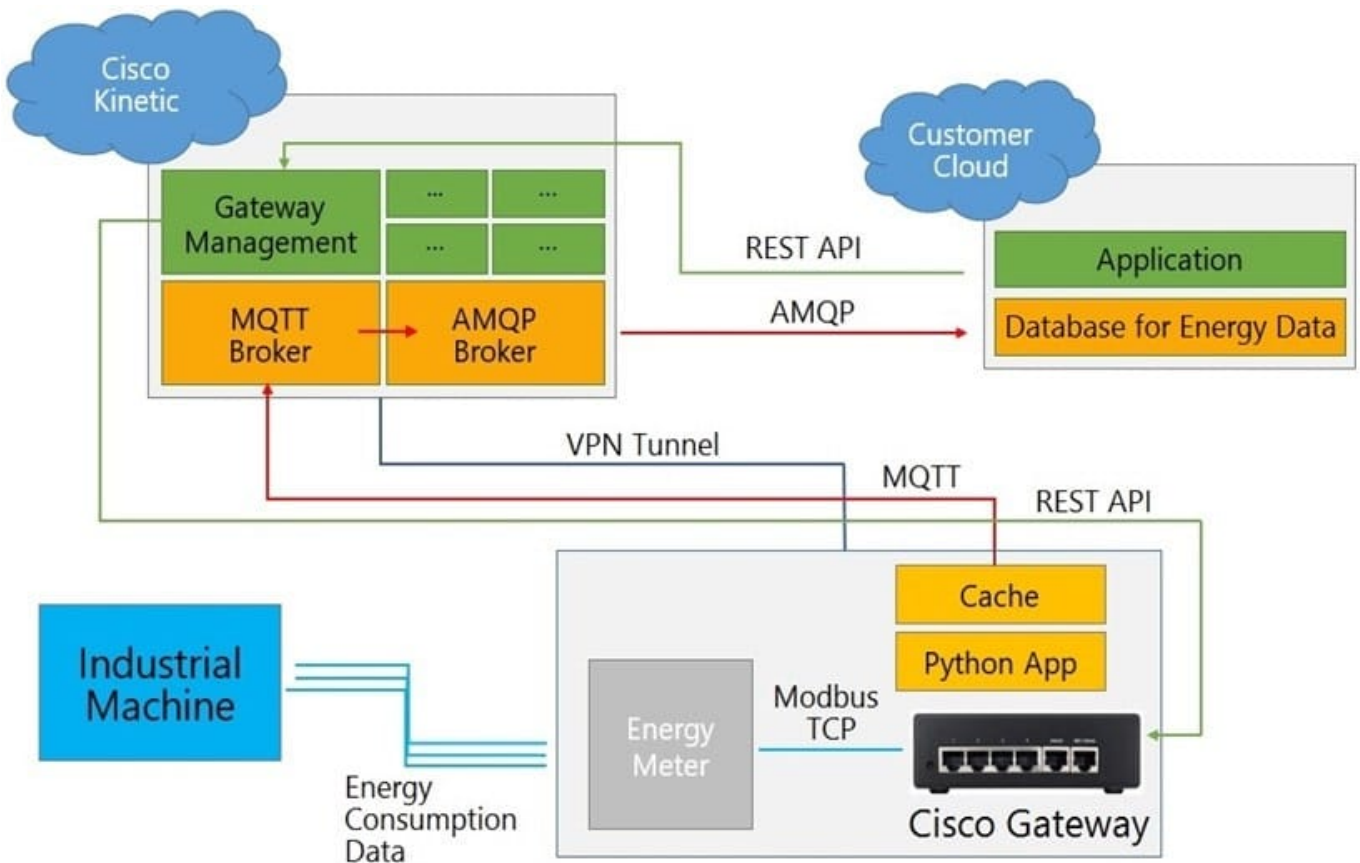
When trying to subscribe to an MQTT broker on the internet, the MQTT client is on a private subnet and must be NATed to reach the public broker.

What is the expected outcome when this configuration is in place?

- A. The client periodically reconnects to the default gateway.
- B. The client connects only once using the PENDING message to the broker.
- C. The client periodically reconnects to the broker over the NAT connection.
- D. The client connects only once using the CONNECT message to the broker.

Correct Answer: D

QUESTION 10



Refer to the exhibit. Which two statements about data flow are true? (Choose two.)

- A. Another AMQP broker should be implemented on the customer cloud.
- B. Instead of AMQP, MQTT should be used for compatibility issues in a cloud-to-cloud connection.
- C. A VPN tunnel is not necessary because the MQTT payload is encrypted by default.
- D. The gateway must stay constantly connected to the Kinetic cloud to avoid blank data sets, even when using caching functions.

E. The Python application could use the paho-mqtt library.

Correct Answer: BE

[Latest 300-915 Dumps](#)

[300-915 Study Guide](#)

[300-915 Exam Questions](#)