

300-630^{Q&As}

Implementing Cisco Application Centric Infrastructure - Advanced
(DCACIA)

Pass Cisco 300-630 Exam with 100% Guarantee

Free Download Real Questions & Answers **PDF** and **VCE** file from:

<https://www.certbus.com/300-630.html>

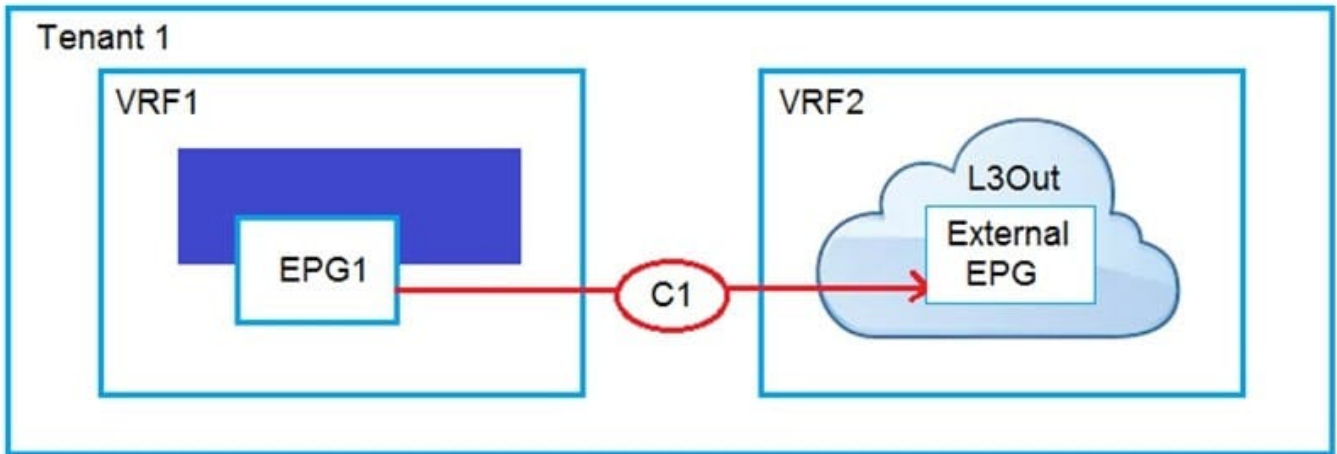
100% Passing Guarantee
100% Money Back Assurance

Following Questions and Answers are all new published by Cisco
Official Exam Center

- ⚙️ **Instant Download** After Purchase
- ⚙️ **100% Money Back** Guarantee
- ⚙️ **365 Days** Free Update
- ⚙️ **800,000+** Satisfied Customers



QUESTION 1



Refer to the exhibit. An engineer must have communication between EPG1 in VRF1 and External EPG in VRF2. Which three actions should be taken for the defined subnets in the L3Out External EPG to accomplish this goal? (Choose three.)

- A. Enable Shared Route Control Subnet
- B. Enable External Subnets for External EPG
- C. Enable Export Route Control Subnet
- D. Enable Shared Security Import Subnet
- E. Enable Aggregate Shared Routes
- F. Enable Import Route Control Subnet

Correct Answer: CDF

Reference: <https://www.cisco.com/c/en/us/solutions/collateral/data-center-virtualization/application-centric-infrastructure/guide-c07-743150.html>

QUESTION 2

An engineer designs a Cisco ACI Multi-Pod solution that requires a pair of active-standby firewalls in different pods for external connectivity. How should the firewalls be implemented?

- A. PBR for routed firewalls
- B. separate L3Out peerings for routed firewalls
- C. routed firewall for the default gateway
- D. transparent firewalls

Correct Answer: D

Reference: <https://www.cisco.com/c/en/us/solutions/collateral/data-center-virtualization/application-centric-infrastructure/white-paper-c11-739571.html>

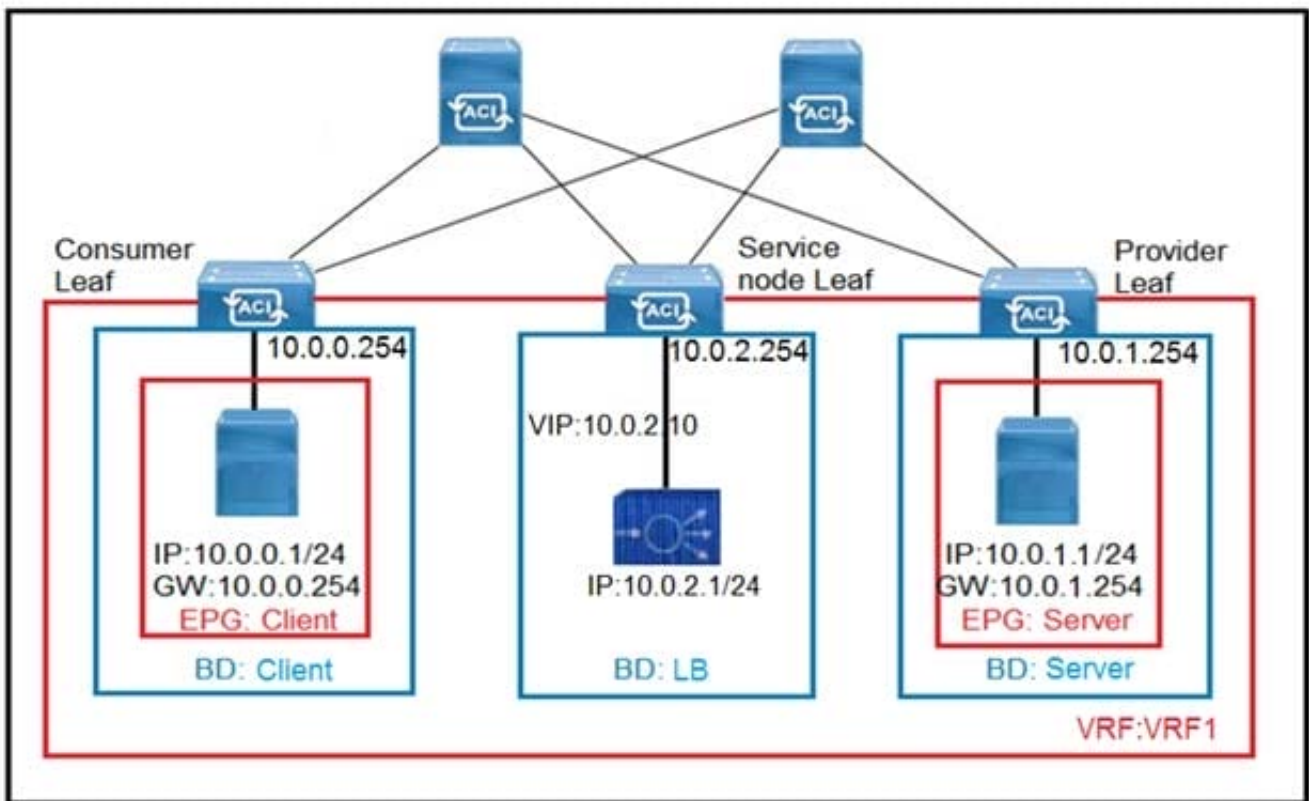
QUESTION 3

A cloud provider must make a pair of firewalls available to all tenants. Each tenant defines its own service graph. Where should the Layer 4 to Layer 7 service be configured to accomplish this goal?

- A. management tenant
- B. infrastructure tenant
- C. user tenant
- D. common tenant

Correct Answer: C

QUESTION 4



Refer to the exhibit. The client endpoint uses the load-balancer VIP as the destination address to send traffic to the server endpoint. If the load balancer does not do source NAT, which set of configurations must be applied on Cisco ACI to allow only the return traffic to be redirected to the service node?

- A. 1. Create a contract with a filter matching "IP" only

2.

Create a L4-L7 device, function type "GoTo"

3.

Create a L4-L7 Policy-Based Redirect Policy with the L3 Destination set to the load-balancer inside IP/MAC

4.

Create a service graph template that references the previously created contract and L4-L7 device

5.

Apply the service graph template. Select "L3 Destination" and reference L4-L7 Policy-Based Redirect Policy on the provider connector only

B. 1. Create a contract linked to the common/default filter

2.

Create a L4-L7 device, function type "GoThrough"

3.

Create a L4-L7 Policy-Based Redirect Policy with the L3 Destination set to the load-balancer inside IP/MAC

4.

Create a service graph template that references the previously created contract and L4-L7 device

5.

Apply the service graph template. Select "L3 Destination" and reference L4-L7 Policy-Based Redirect Policy on the consumer and provider connector

C. 1. Create a contract linked to the common/default filter

2.

Create a L4-L7 device, function type "GoTo"

3.

Create a L4-L7 Policy-Based Redirect Policy with "Anycast Endpoint" enabled and the L3 Destination set to the load-balancer inside IP/MAC

4.

Create a service graph template that references the previously created contract and L4-L7 device

5.

Apply the service graph template. Select "L3 Destination" and reference L4-L7 Policy-Based Redirect Policy on the consumer connector only

D. 1. Create a contract with a filter matching "IP" only

2.

Create a L4-L7 device, function type "GoThrough"

3.

Create a L4-L7 Policy-Based Redirect Policy with "Anycast Endpoint" enabled and the L3 Destination set to the load-balancer inside IP/MAC

4.

Create a service graph template that references the previously created contract and L4-L7 device

5.

Apply the service graph template. Select "L3 Destination" and reference L4-L7 Policy-Based Redirect Policy on the consumer and provider

Correct Answer: D

QUESTION 5

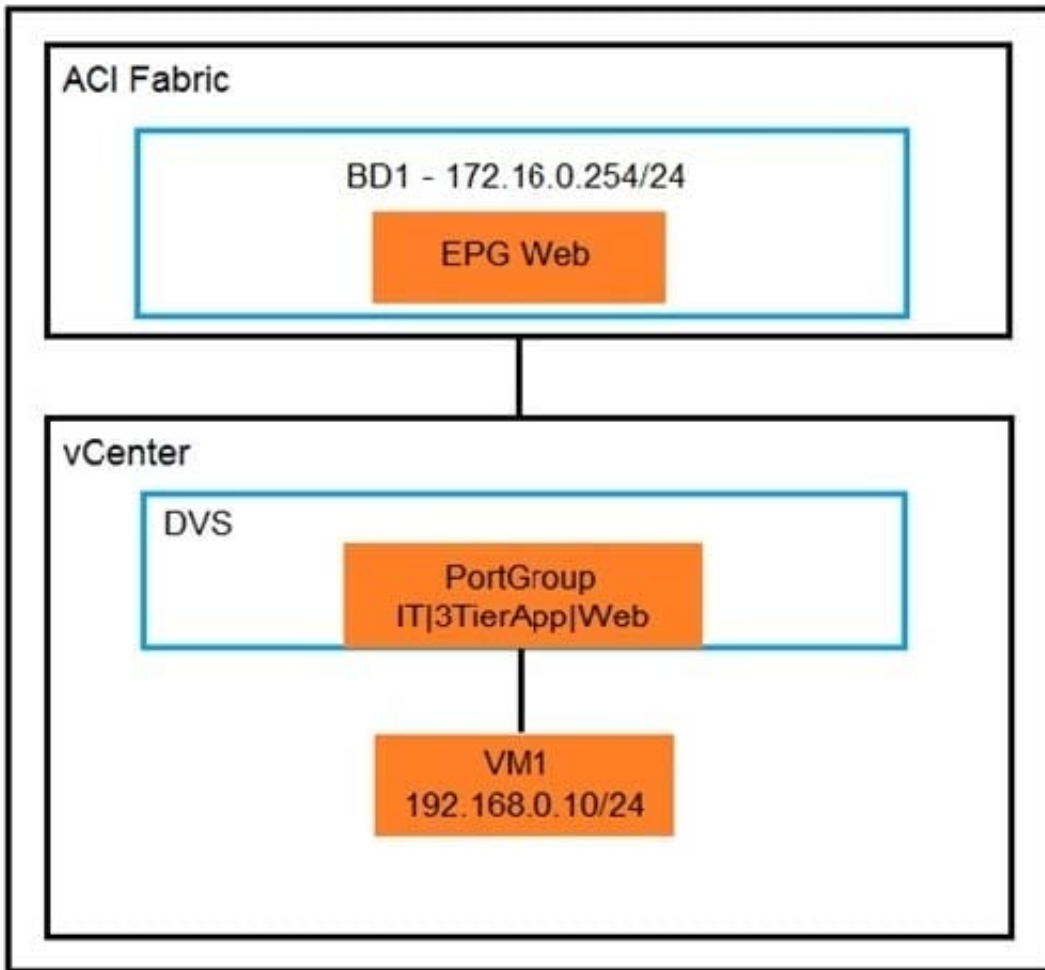
Where are STP BPDUs flooded in Cisco ACI fabric?

- A. in the bridge domain VLAN
- B. in the native VLAN ID
- C. in the access encapsulation VLAN part of different VLAN pools
- D. in the VNID that is assigned to the FD VLAN

Correct Answer: A

Reference: <https://www.cisco.com/c/en/us/solutions/collateral/data-center-virtualization/application-centric-infrastructure/white-paper-c11-737909.html>

QUESTION 6



An organization migrates its virtualized servers from a legacy environment to Cisco ACI. VM1 is incorrectly attached to PortGroup IT|3TierApp|Web. Which action limits IP address learning in BD1?

- A. Enable Enforce Subnet Check
- B. Enable Rouge Endpoint Control
- C. Enable GARP-based EP Move Detection Mode
- D. Disable Remote EP Learn

Correct Answer: C

QUESTION 7

An engineer configures a new Cisco ACI Multi-Pod and must set up the link between the spine and the IPN device. Which three actions should be taken to accomplish this goal? (Choose three.)

- A. Enable MP-BGP routing
- B. Enable BIDIR-PIM protocol
- C. Enable PIM-SM protocol

- D. Enable OSPF routing
- E. Enable IS-IS routing
- F. Enable DHCP relay

Correct Answer: ABF

QUESTION 8

An existing Cisco ACI Multi-Site setup with default fabric settings contains endpoints that communicate with an MTU of 1500. What is the minimum MTU value that must be supported by the ISN to allow control plane endpoint information exchange between sites?

- A. 9000
- B. 1554
- C. 9100
- D. 1600

Correct Answer: C

Reference: <https://www.cisco.com/c/en/us/support/docs/cloud-systems-management/application-policy-infrastructure-controller-apic/214270-configure-aci-multi-site-deployment.html>

QUESTION 9

What are two characteristics of Cisco ACI interaction with MSTP? (Choose two.)

- A. A Cisco ACI leaf flushes all local endpoints in the received EPG when an MSTP TCN frame is received.
- B. A static path binding is required for native VLAN to carry the MST BPDUs in existing EPGs.
- C. Mis-cabling protocol is used to snoop the MSTP TCN packets.
- D. A dedicated EPG must be created for the native VLAN ID with static bindings toward the MSTP-enabled switches.
- E. The PVST simulation must be configured on external network switches to support MSTP.

Correct Answer: CD

QUESTION 10

Cisco ACI fabric is migrated from network-centric mode to application-centric mode. What is possible in an application-centric design?

- A. remapping of VLAN pools
- B. migration of bare metal servers to virtual machines

- C. creation of additional EPGs under one bridge domain
- D. Cisco ACI VMM integration with hypervisors

Correct Answer: C

QUESTION 11

An engineer configures a Cisco ACI Multi-Pod for disaster recovery. Which action should be taken for the new nodes to be discoverable by the existing Cisco APICs?

- A. Enable subinterfaces with dot1q tagging on all links between the IPN routers.
- B. Configure IGMPv3 on the interfaces of IPN routers that face the Cisco ACI spine.
- C. Enable DHCP relay on all links that are connected to Cisco ACI spines on IPN devices.
- D. Configure BGP as the underlay protocol in IPN.

Correct Answer: B

QUESTION 12

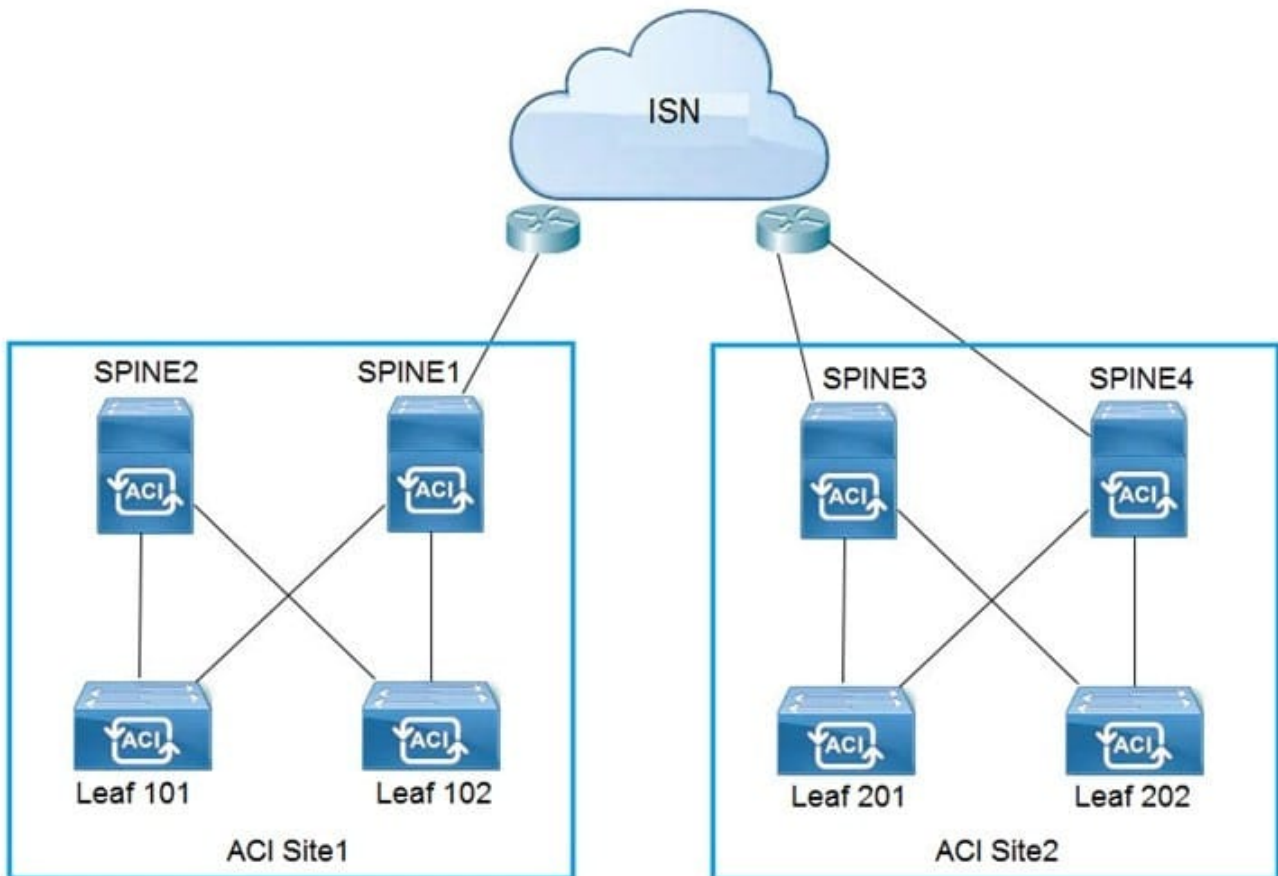
Which two actions should be taken to ensure a scalable solution when multiple EPGs in a VRF require unrestricted communication? (Choose two.)

- A. Configure a taboo contract between the EPGs that require unrestricted communication between each other.
- B. Enable Preferred Group Member under the EPG Collection for VRF section.
- C. Set the VRF policy control enforcement preference to Unenforced.
- D. Set the EPGs that require unrestricted communication between each other as preferred group members.
- E. Set the EPGs that require policy enforcement between each other as preferred group members.

Correct Answer: CD

Reference: https://www.cisco.com/c/en/us/td/docs/switches/datacenter/aci/apic/sw/4-x/basic-configuration/Cisco-APIC-Basic-Configuration-Guide-42x/Cisco-APIC-Basic-Configuration-Guide-42x_chapter_0110.html

QUESTION 13



Refer to the exhibit. Which two configuration steps are required in ISN for Cisco ACI Multi-Site setup? (Choose two.)

- A. Connect Spine2 to ISN routers.
- B. Configure BIDIR-PIM throughout the ISN
- C. Increase ISN MTU to support the maximum MTU that is sent by endpoints
- D. Configure OSPF between spines and ISN routers
- E. Enable IGMPv3 on ISN routers

Correct Answer: DE

QUESTION 14

An engineer must allow routes learned from one L3Out to be advertised out another L3Out. The engineer does not have an explicit list of all the routes that must be advertised out, however, they know that they are all part of the 10.16.0.0/16 CIDR block. Which attributes must be selected under Ext-EPG to allow the necessary routes to be advertised out?

- A. Enable Export Route Control Subnet and enable Aggregate Export
- B. Disable Shared Route Control Subnet and enable Aggregate Shared Routes
- C. Enable Export Route Control Subnet and disable Aggregate Shared Routes

D. Enable Export Route Control Subnet and enable Shared Route Control Subnet

Correct Answer: A

Reference: https://www.cisco.com/c/en/us/td/docs/switches/datacenter/aci/apic/sw/1-x/ACI_Best_Practices/b_ACI_Best_Practices/b_ACI_Best_Practices_chapter_01001.html

QUESTION 15

An engineer creates the objects that must be deployed at each site in Cisco ACI Multi-Site Orchestrator. Which action should be taken before the schema can be associated with the newly configured site?

- A. Attach the templates to the newly configured site
- B. Configure a provider for the Cisco ACI Multi-Site Orchestrator
- C. Import existing policies from an existing tenant to Cisco ACI Multi-Site Orchestrator
- D. Configure the Infra Site-Specific Settings

Correct Answer: A

[300-630 PDF Dumps](#)

[300-630 Study Guide](#)

[300-630 Braindumps](#)