

# 300-420<sup>Q&As</sup>

Designing Cisco Enterprise Networks (ENSLD)

## Pass Cisco 300-420 Exam with 100% Guarantee

Free Download Real Questions & Answers **PDF** and **VCE** file from:

<https://www.certbus.com/300-420.html>

100% Passing Guarantee  
100% Money Back Assurance

Following Questions and Answers are all new published by Cisco  
Official Exam Center

- ⚙️ **Instant Download** After Purchase
- ⚙️ **100% Money Back** Guarantee
- ⚙️ **365 Days** Free Update
- ⚙️ **800,000+** Satisfied Customers



### QUESTION 1

Which solution allows overlay VNs to communicate with each other in an SD-WAN Architecture?

- A. External fusion routers can be used to map VNs to VRFs and selectively route traffic between VRFs.
- B. GRE tunneling can be configured between fabric edges to connect one VN to another.
- C. SGTs can be used to permit traffic from one VN to another.
- D. Route leaking can be used on the fabric border nodes to inject routes from one VN to another.

Correct Answer: A

---

### QUESTION 2

What is a feature of the SaaS subscription model?

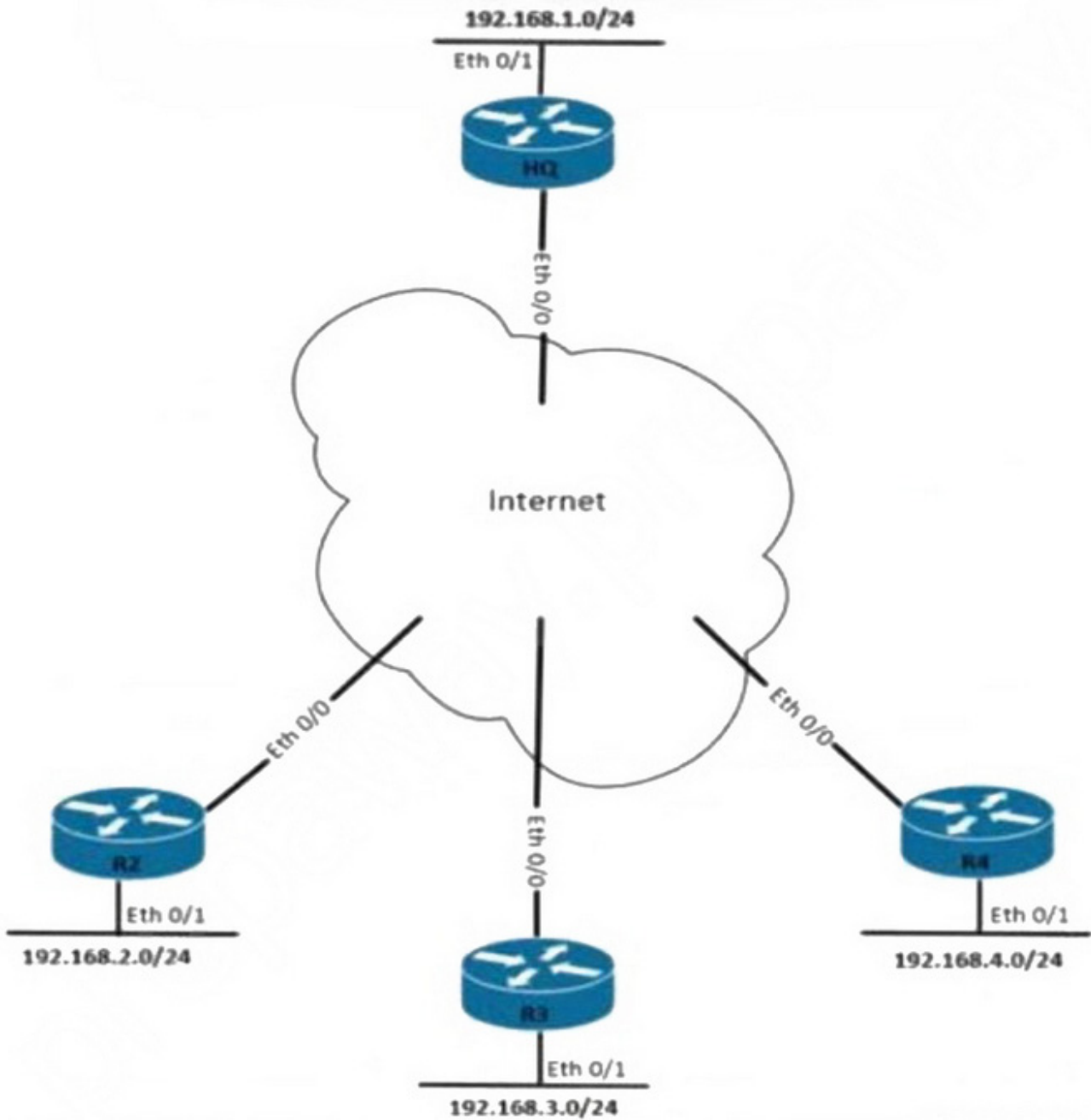
- A. lower initial costs
- B. web connection not required
- C. autonomy and control over hardware
- D. access to industrial-strength storage and computing power

Correct Answer: A

---

### QUESTION 3

Refer to the exhibit.



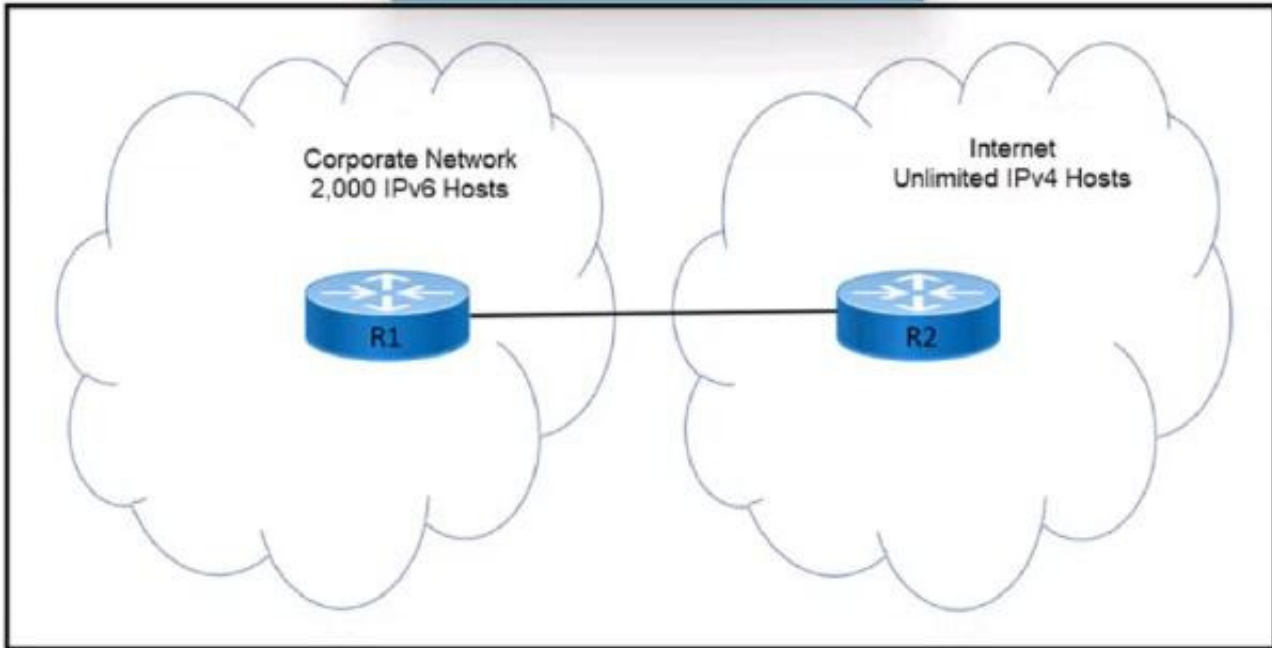
A customer wants to adopt a dynamic site-to-site VPN solution to secure communication for VoIP, video, and FTP traffic between the remote branches and the headquarters. The customer also wants the branches to communicate directly, thereby reducing traffic at the headquarters location. The solution most consider that the branch routers are limited in available memory. Which VPN solution meets these requirements?

- A. DMVPN Phase 2 Hub and Spoke design
- B. DMVPN Phase 3 Hub and Spoke design
- C. DMVPN Phase 3 Hierarchical design
- D. DMVPN Phase 1 Hub and Spoke design

Correct Answer: B

**QUESTION 4**

Refer to the exhibit.

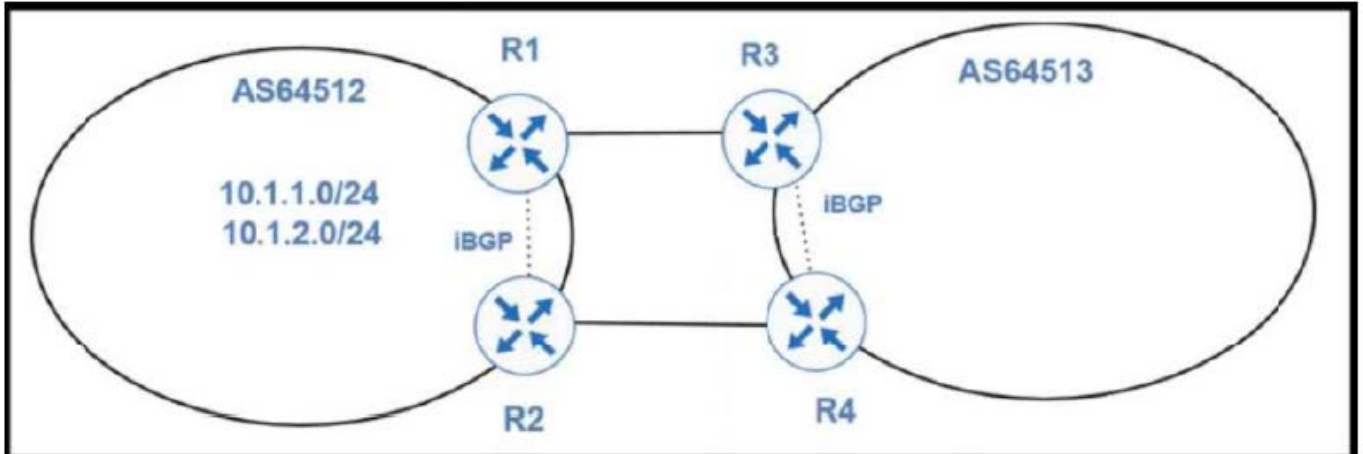


An engineer must design an address translation solution to provide Internet connectivity for the corporate network. The design is restricted to the 172.16.168.0/22 subnet. Which solution must the engineer choose?

- A. stateful NAT64
- B. stateless NAT64
- C. stateful NAT66
- D. stateless NAT66

Correct Answer: C

**QUESTION 5**



Refer to the exhibit. An architect designs a BGP policy for a customer that requires load sharing of the links that connect with the upstream service provider. The customer has these requirements:

The inbound traffic destined to network 10.1.1.0/24 must transit the R3-R1 link, and if the link fails, all inbound traffic must transit the R4-R2 link.

The inbound traffic destined to network 10.1.2.0/24 must transit the R4-R2 link and if the link fails, all inbound traffic should transit the R3-R1 link.

Which solution must the architect choose?

- A. • R1 must announce prefix 10.1.1.0/24 with the route map applied to the neighbor using set as-path prepend 64512 64512
- R2 must announce prefix 10.1.2.0/24 with the route map applied to the neighbor using set as-path prepend 64512 64512
- B. • R1 must announce prefix 10.1.2.0/24 with the route map applied to the neighbor using set as-path prepend 64512 64512
- R2 must announce prefix 10.1.1.0/24 with the route map applied to the neighbor using set as-path prepend 64512 64512
- C. • R1 must announce prefix 10.1.2.0/24 with a community attribute 64513:300 and prefix 10.1.1.0/24 with a community attribute 64513:200
- R2 must announce prefix 10.1.2.0/24 with a community attribute 64513:200 and prefix 10.1.1.0/24 with a community attribute 64513:300
- D. • R1 must announce prefix 10.1.2.0/24 with a community attribute 64513:200 and prefix 10.1.1.0/24 with a community attribute 64513:300
- R2 must announce prefix 10.1.2.0/24 with a community attribute 64513:300 and prefix 10.1.1.0/24 with a community attribute 64513:200

Correct Answer: B

#### QUESTION 6

A customer is discussing QoS requirements with a network consultant. The customer has specified that end-to-end path verification is a requirement. Which QoS solution meets this requirement?

- A. IntServ model with RSVP to support the traffic flows
- B. DiffServ model with PHB to support the traffic flows
- C. marking traffic at the access layer with DSCP to support the traffic flows
- D. marking traffic at the access layer with CoS to support the traffic flows

Correct Answer: A

---

#### QUESTION 7

Which node enables Cisco ISE to share contextual information on a device with Cisco Stealthwatch?

- A. Monitoring and Troubleshooting Node
- B. Inline Posture Node
- C. pXGrid Controller
- D. Policy Administration Node

Correct Answer: C

---

#### QUESTION 8

Which control-plane protocol is used to map an endpoint to a location in a Cisco SD-Access network?

- A. FabricPath
- B. IS-IS
- C. LISP
- D. MP-BGP

Correct Answer: C

---

#### QUESTION 9

DRAG DROP

Drag and drop the descriptions from the left onto the Cisco SD-WAN component they describe on the right.

Select and Place:

### Answer Area

distributes routes and policy information via OMP	Cisco WAN Edge router
enables the communication of devices that sit behind NAT	Cisco vSmart Controller
enables centralized provisioning and simplifies network changes	Cisco vManage
is responsible for traffic forwarding, security, encryption, QoS, and routing protocols	Cisco vBond Orchestrator

Correct Answer:

### Answer Area

	is responsible for traffic forwarding, security, encryption, QoS, and routing protocols
	distributes routes and policy information via OMP
	enables centralized provisioning and simplifies network changes
	enables the communication of devices that sit behind NAT

Answer Area is responsible for traffic forwarding, security, encryption, QoS, and routing protocols distributes routes and policy information via OMP enables centralized provisioning and simplifies network changes enables the communication of devices that sit behind NAT

Reference: <https://www.cisco.com/c/en/us/td/docs/solutions/CVD/SDWAN/cisco-sdwan-design-guide.html>

### QUESTION 10

An engineer uses Postman and YANG to configure a router with:

1.

OSPF process ID 400

2.

network 192.168.128.128/25 enabled for Area 0

Which get-config reply verifies that the model set was designed correctly?



A. <rpc-reply message-id="urn:uuid:1b3d05cd-8118-3e6a-6c05-021345678aaf"  
 xmlns="urn:ietf:params:xml:ns:netconf:base:1.0" xmlns:  
 <data>  
 <native xmlns="http://cisco.com/ns/yang/ned/ios">  
 <router>  
 <ospf>  
 <id>400</id>  
 <network>  
 <ip>1192.168.128.128</ip>  
 <mask>0.0.0.128</mask>  
 <area>0</area>  
 </network>  
 </ospf>  
 </router>  
 </native>  
 </data>  
 </rpc-reply>

B. <rpc-reply message-id="urn:uuid:1b3d05cd-8118-3e6a-6c05-403478311aaf"  
 xmlns="urn:ietf:params:xml:ns:netconf:base:1.0" xmlns:nc="urn:ietf:parar  
 <data>  
 <native xmlns="http://cisco.com/ns/yang/ned/ios">  
 <router>  
 <ospf>  
 <id>400</id>  
 <network>  
 <ip>192.168.128.128</ip>  
 <mask>0.0.0.127</mask>  
 <area>0</area>  
 </network>  
 </ospf>  
 </router>  
 </native>  
 </data>  
 </rpc-reply>

C. <rpc-reply message-id="urn:uuid:1b3d05cd-8118-3e6a-6c05-012354678aaf"  
 xmlns="urn:ietf:params:xml:ns:netconf:base:1.0" xmlns:nc="ui  
 <data>  
 <native json="http://cisco.com/ns/yang/ned/ios">  
 <router>  
 <ospf>  
 <id>400</id>  
 <network>  
 <ip>192.168.128.128</ip>  
 <mask>0.0.0.127</mask>  
 <area>0</area>  
 </network>  
 </ospf>  
 </router>  
 </native>  
 </data>  
 </rpc-reply>

D. <rpc-reply message-id="urn:uuid:1b3d05cd-8118-3e6a-6c05-012435678aaf"  
 xmlns="urn:ietf:params:xml:ns:netconf:base:1.0" xmlns:nc="urn:ietf:params:xml:ns:netconf:base:1.0">  
 <data>  
 <native xmlns="http://cisco.com/ns/yang/ned/ios">  
 <router>  
 <ospf>  
 <id>400</id>  
 <network>  
 <ip>192.168.128.128</ip>  
 <mask>255.255.255.128</mask>  
 <area>0</area>  
 </network>  
 </ospf>  
 </router>  
 </native>  
 </data>  
 </rpc-reply>

- A. Option A
- B. Option B
- C. Option C
- D. Option D

Correct Answer: B

---

#### QUESTION 11

An engineer is working for a large cable TV provider that requires multiple sources streaming video on different channels using multicast with no rendezvous point. Which multicast protocol meets these requirements?

- A. PIM-SM
- B. PIM-SSM
- C. any-source multicast
- D. BIDIR-PIM

Correct Answer: B

PIM-SSM is suitable for when well-known sources exist within the local PIM domain and for broadcast applications. Also, PIM-SSM eliminates the RPs and shared trees

---

#### QUESTION 12

An architect must design an IPv6 migration solution for a corporation with remote offices to support:

1.  
The customer has IPv4 peering with their service provider.
2.  
IPv6 users need access to IPv4 and IPv6 resources.
3.  
Existing content providers will migrate to IPv6 in the next two years.
4.  
Users will be migrated in a phase-by-phase approach.

Which migration solution must the architect choose?

- A. NAT46

- B. tunneling
- C. NAT64
- D. dual-stack

Correct Answer: D

---

#### QUESTION 13

What is the easiest way to enable SD-Access for all your remote sites after you have your campus SD-Access fabric up and running?

- A. Treat all the sites as one fabric domain and use the traditional physical network as the underlay.
- B. Use a separate fabric domain for each site and use the traditional physical network as the underlay.
- C. Use a separate fabric domain for each site and use SD-WAN as the underlay
- D. Treat all the sites as one fabric domain and use SD-WAN as the underlay

Correct Answer: A

---

#### QUESTION 14

In the SD-WAN underlay network, which WAN Edge VPN ID is defined as the transport VPN and is used to carry control traffic?

- A. VPN 0
- B. VPN 512
- C. VPN 128
- D. VPN 256

Correct Answer: A

---

#### QUESTION 15

In an SD-WAN architecture, which methods are used to bootstrap a vEdge router?

- A. DHCP options or manual configuration
- B. vManage or DNS records
- C. ZTP or manual configuration

D. DNS records or DHCP options

Correct Answer: C

[Latest 300-420 Dumps](#)

[300-420 PDF Dumps](#)

[300-420 VCE Dumps](#)