

300-075^{Q&As}

Implementing Cisco IP Telephony and Video

Pass Cisco 300-075 Exam with 100% Guarantee

Free Download Real Questions & Answers **PDF** and **VCE** file from:

<https://www.certbus.com/300-075.html>

100% Passing Guarantee
100% Money Back Assurance

Following Questions and Answers are all new published by Cisco
Official Exam Center

- ⚙️ **Instant Download** After Purchase
- ⚙️ **100% Money Back** Guarantee
- ⚙️ **365 Days** Free Update
- ⚙️ **800,000+** Satisfied Customers



QUESTION 1

Which three steps are required to configure a SIP trunk on Cisco VCS towards Cisco Unified Communications Manager? (Choose three.)

- A. Configure a search rule calls to the Cisco Unified Communications manager?
- B. Configure a route pattern zone that contains the Cisco Unified Communications manager.
- C. Configure a SIP trunk security profile.
- D. Configure a SIP trunk with Cisco Unified Communications manager destination IP addresses.
- E. Configure a neighbor zone that contains the Cisco Unified Communications Manager
- F. Configure a transform that converts numbers to appropriate domains.

Correct Answer: ABC

QUESTION 2

Which statement about technology implementation strategy is true?

- A. Cisco Unified Communications Manager Express can be configured to function with no Cisco Unified Communications Manager cluster in the enterprise.
- B. Cisco Unified Communications Manager Express in SRST mode can be configured to function with no Cisco Unified Communications Manager cluster in the enterprise.
- C. SRST can be configured to function with no Cisco Unified Communications Manager cluster in the enterprise.
- D. SRST and MGCP fallback can be configured to function with no Cisco Unified Communications Manager cluster in the enterprise.

Correct Answer: A

QUESTION 3

Which statement about RSVP is true?

- A. MTP is typically used for RSVP agent configuration.
- B. If the RSVP agent cannot reserve the required bandwidth on first effort, it enables low latency queuing and tries to connect the call again.
- C. Cisco Unified Communications Manager uses the RSVP-configured bandwidth between sites as a method of determining if there is sufficient bandwidth for the call.
- D. Cisco Unified Communications Manager uses an RSVP-enabled infrastructure and an RSVP- controlled agent to request a bandwidth reservation from the network in order to place a call.

Correct Answer: D

QUESTION 4

An incoming call is coming from an endpoint not configured on any of the zones on Cisco VCS. Which zone is this call coming from?

- A. default
- B. subzone
- C. unknown
- D. traversal

Correct Answer: A

Reference: https://www.cisco.com/c/dam/en/us/td/docs/telepresence/infrastructure/vcs/admin_guide/Cisco_VCS_Administrator_Guide_X7-2.pdf

QUESTION 5

An engineer is performing an international multisite deployment and wants to create an effective backup method to access TEHO destinations in case the call limit triggers. Which technology provides this ability?

- A. AAR
- B. CFUR
- C. LRG
- D. SRST

Correct Answer: A

QUESTION 6

The administrator at Company X is trying to set up Extension Mobility and has done these steps:

Set up and users accounts for the users who need to roam Set up a device profile for the type of phones users will be allowed to log in

Users have reported to the administrator that they are unable to log in to the phones designated for Extension Mobility. Which two options are the two reasons for this issue? (Choose two.)

- A. The user must ensure that their main endpoint is online and registered, otherwise they cannot log in elsewhere.
- B. Extension Mobility has not been enable under the Enterprise Parameters.
- C. The Extension Mobility has not been activated under the Cisco Unified Serviceability.

- D. The user device profile is not associated to the correct end user.
- E. The username must be numeric only and must match the DN.

Correct Answer: AB

QUESTION 7

What is the default DSCP/PHB for video conferencing packets in Cisco Unified Communications Manager?

- A. EF/46
- B. CS6/48
- C. AF41/34
- D. CS3/24

Correct Answer: C

QUESTION 8

You have deployed a Cisco 2821 ISR to perform as an SRST voice gateway at a remote site. During a network failure between the remote site and the central office, some of the phones located at the remote site are unable to make phone calls. Which two options are potential causes of the problem? (Choose two.)

- A. The site has exceeded the number of SRST endpoints supported by the voice gateway.
- B. The ccm-manager fallback command is configured incorrectly on the voice gateway.
- C. Phones at the remote site are assigned to the incorrect device pool.
- D. The ccm-manager fallback-mgcp command is configured incorrectly on the voice gateway.
- E. The site has exceeded the number of simultaneous calls allowed in SRST mode.

Correct Answer: AC

QUESTION 9

Scenario:

There are two call control systems in this item.

The Cisco UCM is controlling the DX650, the Cisco Jabber for Windows Client, and the 7965 and 9971 Video IP Phones.

The Cisco VCS and TMS control the Cisco TelePresence Conductor, the Cisco TelePresence MCU, and the Cisco Jabber TelePresence for Windows.

DNS Server:

```

DNS Servers
ip dns server
ip host_cisco-uds._tcp.hq.cisco.com srv 1 1 8443 10.1.5.15
ip host_cisco-uds._tcp.hq.cisco.com srv 1 1 8443 10.1.5.16
ip host pub10x-hq.collab10x.cisco.com 10.1.5.15
ip host pub10x-hq.collab10x.cisco.com 10.1.5.16
ip host sub10x-hq.hq.collab10x.cisco.com 10.1.5.15
ip host sub10x-hq.hq.collab10x.cisco.com 10.1.5.16
ip host hq.cisco.com 10.1.5.1
    
```

Device Pool:

DP

Status

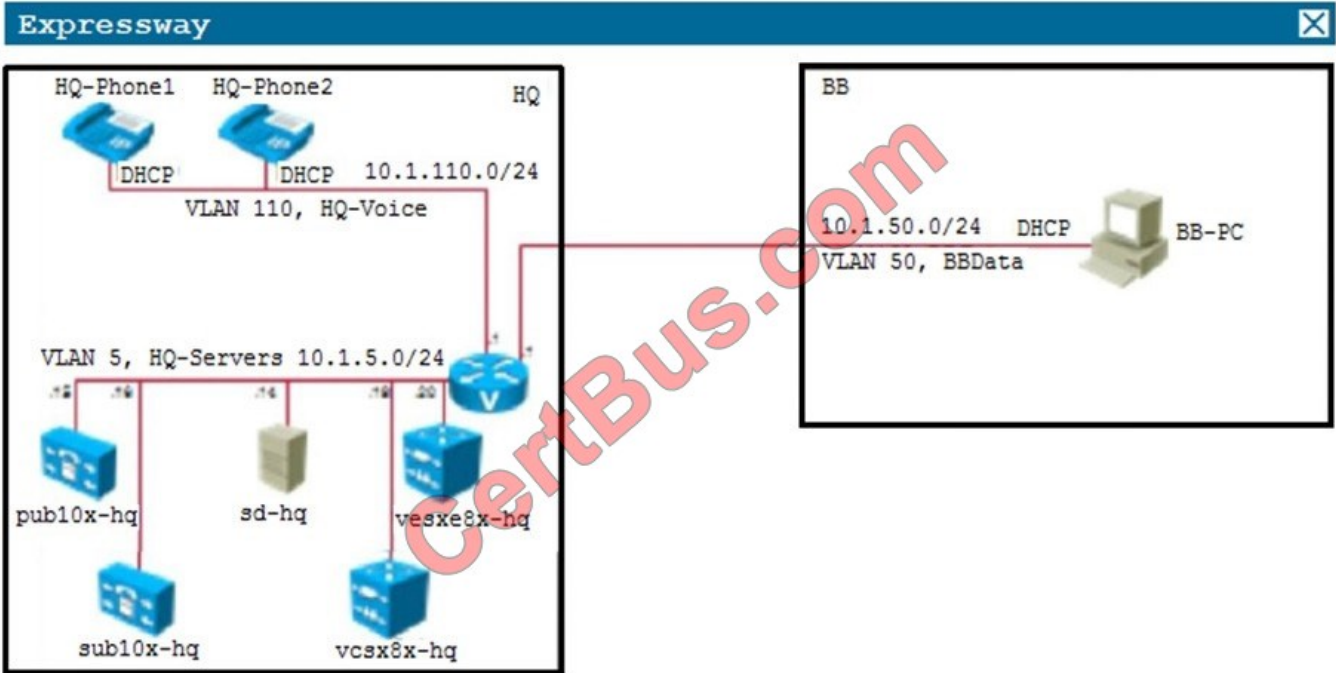
i 3 records found

Device Pool (1-3 of 3)

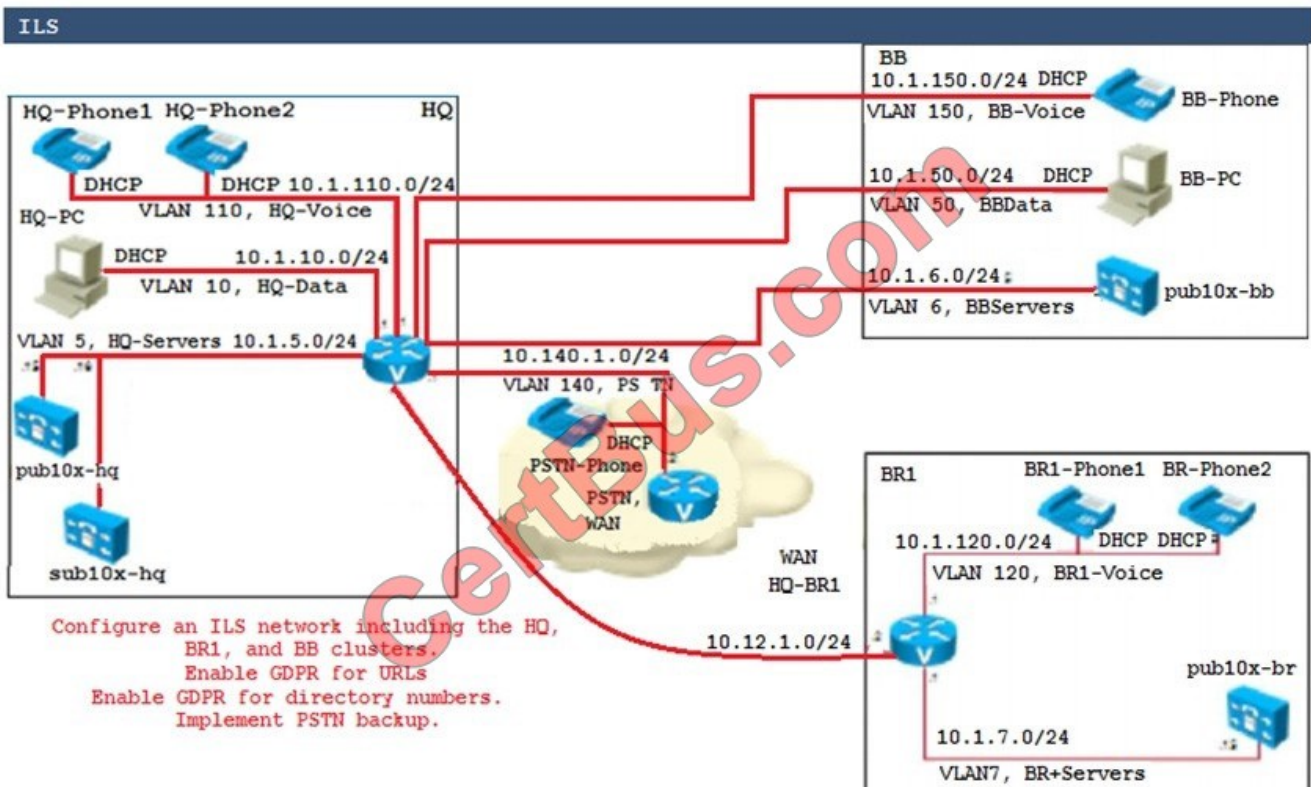
Find Device Pool where begins with Find

<input type="checkbox"/>	Name ^	Cisco Unified CM Group	Region	Date/Time
<input type="checkbox"/>	Default	Default	Default	CMLocal
<input type="checkbox"/>	Default	Default	Default	CMLocal
<input type="checkbox"/>	GSM	Default	GSM	CMLocal

Expressway:



ILS:



Locations:

Locations

Locations (1 - 3 of 3)

Find Locations where Location begins with Find Clear Filter + -

<input type="checkbox"/>	
<input type="checkbox"/>	Hub_None
<input type="checkbox"/>	Phantom
<input type="checkbox"/>	Shadow

Add New Select All Clear All Delete Selected

MRA:

```

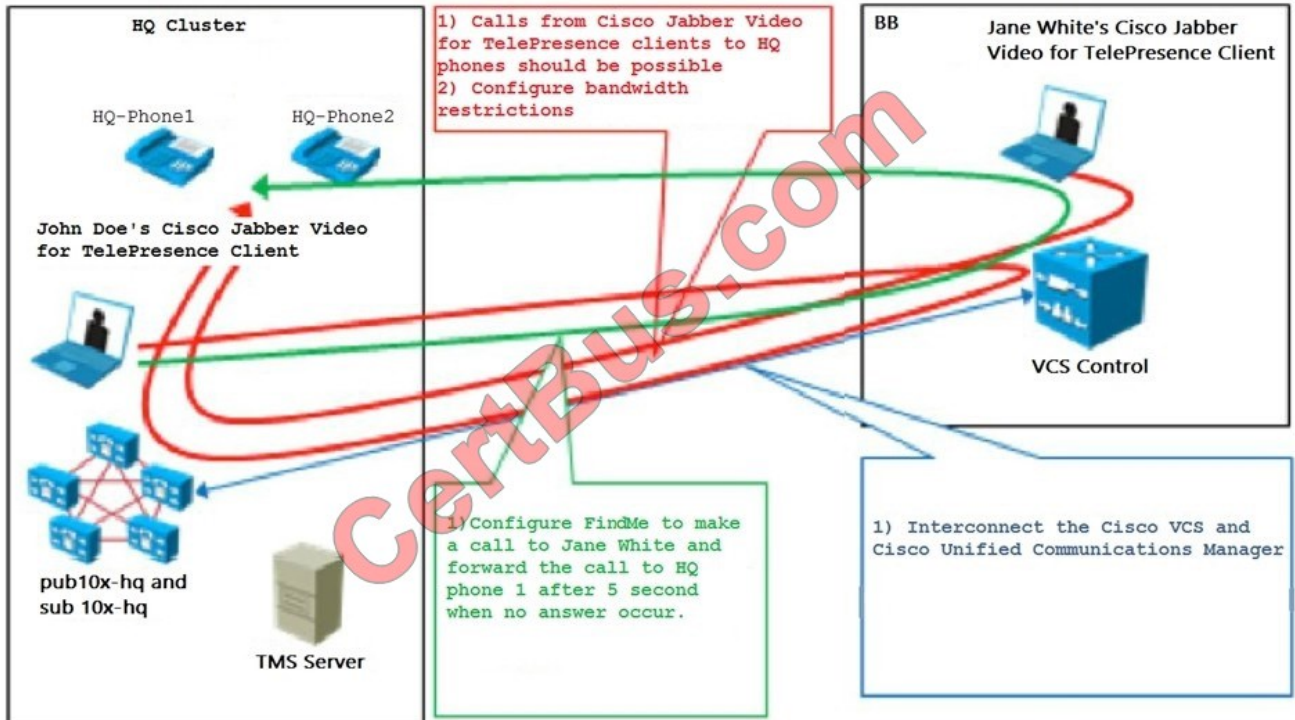
MRA
ip host_collab-edge._tls.hq.cisco.com SRV 1 1 8443 vcsxe8x-
hq.hq.collab10x.cisco.com
ip host vcsxe8x-hq.hq.collab10x.cisco.com 10.1.5.20
    
```

Speed Dial:

Speed Dial		
Phone	Speed Dial Button	Speed Dial Destination
HQ phone 1	1	hq2@cisco.lab
HQ phone 1	2	br1@cisco.lab
HQ phone 1	3	bb@cisco lab
HQ phone 2	1	hq1@cisco.lab
HQ phone 2	2	br1@cisco.lab
HQ phone 2	2	br1@cisco.lab
HQ phone 2	3	bb@cisco lab
HQ phone 1	1	hq1@cisco.lab
HQ phone 1	2	hq2@cisco.lab
HQ phone 1	3	bb@cisco lab
BB phone	1	hq1@cisco.lab
BB phone	2	hq2@cisco.lab

SIP Trunk:

SIP Trunk



Which three configuration tasks need to be completed on the router to support the registration of Cisco Jabber clients? (Choose three.)

- A. The DNS server has the wrong IP address.
- B. The internal DNS Service (SRV) records need to be updated on the DNS Server.
- C. Flush the DNS Cache on the client.
- D. The DNS AOR records are wrong.
- E. Add the appropriate DNS SRV for the Internet entries on the DNS Server.

Correct Answer: BCE

QUESTION 10

Which configuration for setting the IP DSCP value in the ToS byte to 5 and Expedited Forwarding is correct?

- A. policy-map policy1 class class1 set ip dscp 5 class class2 set ip dscp ef
- B. policy-map policy1 class class1 set ip dscp 3 class class2 set ip dscp ef
- C. policy-map policy1 class class1 set ip dscp ef class class2 set ip dscp 5
- D. policy-map policy1 class class1 set ip dscp 5 class class2 set ip dscp CS3

Correct Answer: A

QUESTION 11

When troubleshooting high CPU utilization within the Command Line Interface (CLI) of a Cisco Unified Communications Manager (CUCM), which command will show the process CPU usage for all processes?

- A. show perf query counter Process "% CPU Time"
- B. show network status
- C. show perf query counter Partition "% Used"
- D. show perf query counter Process "Process Status"

Correct Answer: A

Reference: https://www.cisco.com/c/en/us/td/docs/voice_ip_comm/cucm/service/10_0_1/rtmt/CUCM_BK_C8A0AF97_00_cucm-managed-service-guide-100/CUCM_BK_C8A0AF97_00_cucm-managed-service-guide-100_chapter_010.html

QUESTION 12

How is the peer address configured when ExpresswayE has only one NIC enabled and is using static NAT mode?

- A. Expressway-E DHCP
- B. Cisco Unified Communications Manager DHCP
- C. Expressway-E FQDN
- D. Cisco Unified Communications Manager FQDN

Correct Answer: C

[300-075 Study Guide](#)

[300-075 Exam Questions](#)

[300-075 Braindumps](#)

To Read the [Whole Q&As](#), please purchase the [Complete Version](#) from [Our website](#).

Try our product !

100% Guaranteed Success

100% Money Back Guarantee

365 Days Free Update

Instant Download After Purchase

24x7 Customer Support

Average 99.9% Success Rate

More than 800,000 Satisfied Customers Worldwide

Multi-Platform capabilities - [Windows](#), [Mac](#), [Android](#), [iPhone](#), [iPod](#), [iPad](#), [Kindle](#)

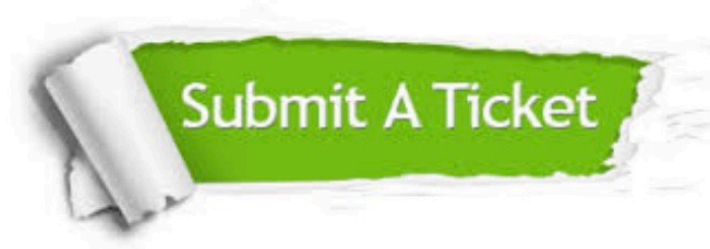
We provide exam PDF and VCE of Cisco, Microsoft, IBM, CompTIA, Oracle and other IT Certifications. You can view Vendor list of All Certification Exams offered:


<https://www.certbus.com/allproducts>

Need Help

Please provide as much detail as possible so we can best assist you.

To update a previously submitted ticket:



 <p>One Year Free Update Free update is available within One Year after your purchase. After One Year, you will get 50% discounts for updating. And we are proud to boast a 24/7 efficient Customer Support system via Email.</p>	 <p>Money Back Guarantee To ensure that you are spending on quality products, we provide 100% money back guarantee for 30 days from the date of purchase.</p>	 <p>Security & Privacy We respect customer privacy. We use McAfee's security service to provide you with utmost security for your personal information & peace of mind.</p>
---	---	--

Any charges made through this site will appear as Global Simulators Limited.

All trademarks are the property of their respective owners.

Copyright © certbus, All Rights Reserved.