

1Y0-402^{Q&As}

Citrix XenApp and XenDesktop 7.15 Assessment, Design and
Advanced Configurations

Pass Citrix 1Y0-402 Exam with 100% Guarantee

Free Download Real Questions & Answers **PDF** and **VCE** file from:

<https://www.certbus.com/1y0-402.html>

100% Passing Guarantee
100% Money Back Assurance

Following Questions and Answers are all new published by Citrix
Official Exam Center

- ⚙️ **Instant Download** After Purchase
- ⚙️ **100% Money Back** Guarantee
- ⚙️ **365 Days** Free Update
- ⚙️ **800,000+** Satisfied Customers



QUESTION 1

Scenario: A Citrix Architect is designing a new, 2,000-user XenApp and XenDesktop environment. The environment will use Windows Server 2016 for all Site infrastructure components (Delivery Controllers, StoreFront servers, Provisioning Services servers, Citrix Director). Provisioning Services (PVS) will be used to provision Virtual Delivery Agent (VDA) machines. The environment will include two primary use cases:

Windows Server 2016 VDA machines providing hosted apps
Windows 10 VDA machines providing random, non-persistent VDI

Within the company there is existing hardware which is hosting non-Citrix workloads. The hardware, which is using a third party hypervisor, has some spare capacity, but NOT enough to support the entire XenApp and XenDesktop environment. As a result, the IT team is planning to purchase additional hardware to support the expected capacity but has NOT determined which hypervisor will be used for that hardware. The IT team would like to utilize the existing hardware and wants to minimize the long-term costs of the solution while still providing a good user experience.

How should the architect design the hypervisor resource pools based on Citrix leading practice?

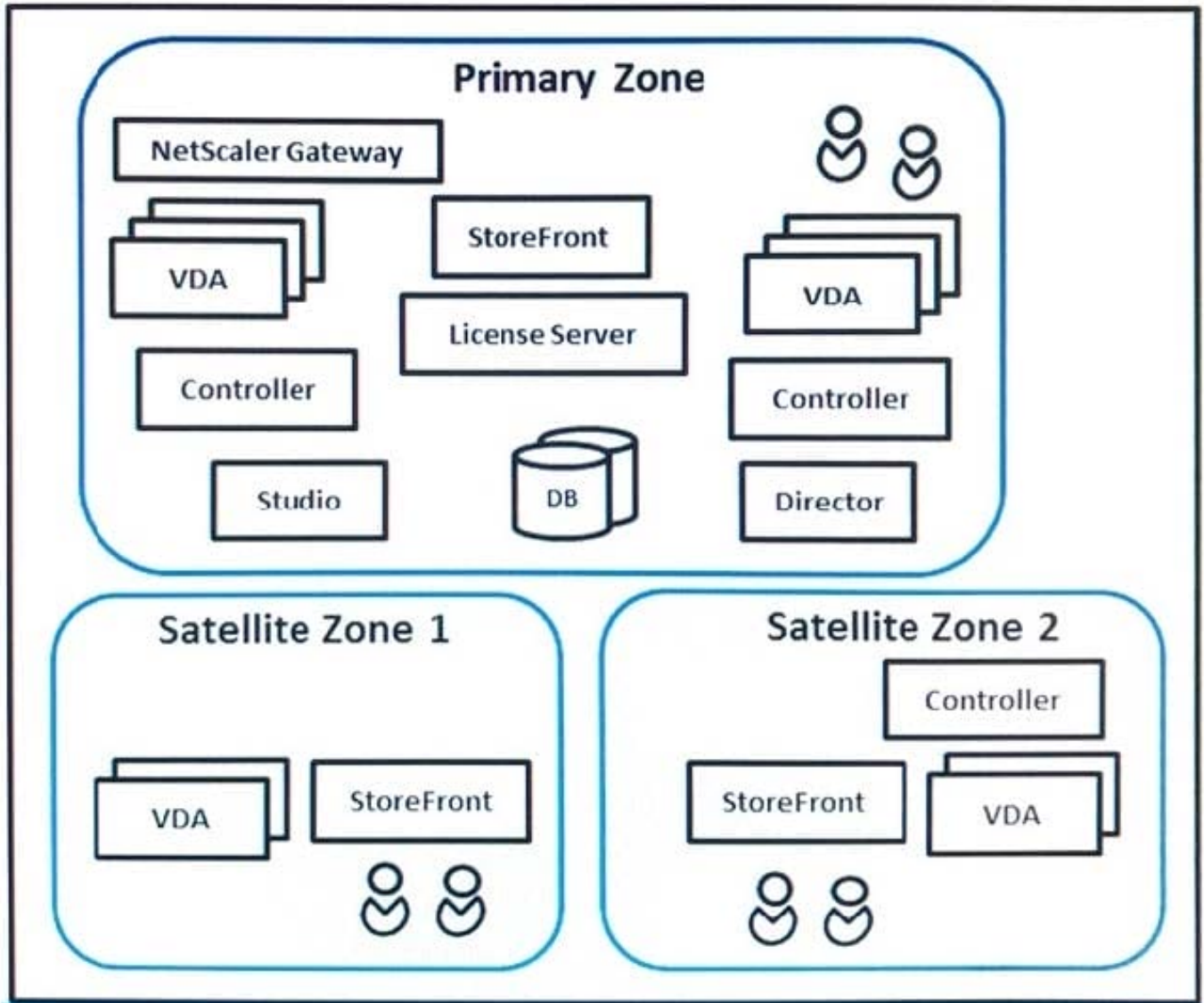
- A. Build new XenServer resource pools and build all XenApp and XenDesktop components in those pools.
- B. Build new third-party clusters and build all VDA machines and PVS servers in those clusters. Build other Citrix infrastructure components in one of the existing third-party clusters.
- C. Build new XenServer resource pools and build all VDA machines and PVS servers in those pools. Build other Citrix infrastructure components in one of the existing third-party clusters.
- D. Build new XenServer resource pools and build all Windows 10 VDA machines in those pools. Build all Windows Server 2016 components in the existing third-party clusters.
- E. Build new third-party clusters and build all XenApp and XenDesktop components in those clusters.
- F. Build new third-party clusters and build all Windows 10 VDA machines in those clusters. Build all Windows Server 2016 components in the existing third-party clusters.

Correct Answer: BD

QUESTION 2

Scenario: A Citrix Architect needs to assess a XenApp and XenDesktop environment. The XenApp and XenDesktop diagram in the Exhibit gives details about the current Site and Zone design.

Click the Exhibit button to view the diagram.



Which statement is correct if all the Delivery Controllers in the Primary Zone fail?

- A. Connections to Virtual Delivery Agent (VDA) machines in Satellite Zone 1 and Satellite Zone 2 cannot be made.
- B. Connections to Virtual Delivery Agent (VDA) machines in the Primary Zone, Satellite Zone 1, and Satellite Zone 2 cannot be made.
- C. All the Virtual Delivery Agent (VDA) machines in the Primary Zone Satellite Zone 1 will attempt to register with the Controller in Satellite Zone 2.
- D. Connections to Virtual Delivery Agent (VDA) machines in Satellite Zone 1 cannot be made.

Correct Answer: C

QUESTION 3

A Citrix Architect needs to conduct a capabilities assessment for an organization that wants to design and build a new XenApp and XenDesktop environment.

Which four capabilities will directly influence whether users are currently able to connect to an alternative datacenter if the primary datacenter becomes unavailable? (Choose four.)

- A. Disaster recovery plan and implementation
- B. Existing XenApp and XenDesktop environments
- C. Current hypervisor and storage solutions
- D. Existing access infrastructure
- E. Windows Server and Active Directory environment
- F. Client devices and mobility requirements
- G. Network architecture

Correct Answer: DEFG

QUESTION 4

Scenario: While assessing User Layer, a Citrix Architect finds that most of the internal users connect using corporate-owned laptops, desktop devices, and thin clients. Many of these laptops and desktop devices are running Windows 10, while the remainder of the machines are running Windows 7 and are in the process of being migrated to Windows 10. Some users also connect using personal devices.

Currently, Citrix Receiver is manually installed on any endpoint device added to the company. All these devices use Citrix Receiver version 4.8 and above. The IT team is planning to automate a process to update all the devices with the latest version of Citrix Receiver and to automate another process for automatic installation of Citrix Receiver without incurring extra costs and maintenance.

The architect needs to identify which type of Citrix Receiver to recommend for 25 task workers in a remote location where installation of Citrix Receiver is NOT possible. The workers do NOT require any device mappings.

Which type of Citrix Receiver should the architect recommend?

- A. Native receiver
- B. Receiver for Web
- C. Receiver for Chrome
- D. HTML 5

Correct Answer: B

QUESTION 5

Scenario: A Citrix Architect needs to design a new XenApp and XenDesktop environment. Click the Exhibit button to view information collected by the architect during the Resource Layer

discussions.

Category	Detail
Active Directory Permissions	The Active Directory (AD) team implements all AD-based policy changes based on approved change control tickets.
User Profile Type	A third-party profile management solution will be used.
Required Policies	Due to an organizational requirement, Block Inheritance must NOT be enabled on the OUs containing Virtual Delivery Agent (VDA) machines. Instead, mandated policy settings will be applied to the VDA machines at a higher level in the OU.
Security Considerations	The Virtual Delivery Agent machines should receive additional lockdown settings that are NOT currently being applied elsewhere in the environment.
Other Requirements	The Citrix Administrative team would like to have the ability to directly test and implement settings.

Based on the requirements, the Citrix Administrative team should use _____ to manage Citrix policies and _____ to manage Microsoft settings. (Choose the correct option to complete the sentence.)

- A. Citrix Studio; Workspace Environment Manager
- B. Active Directory Group Policy Objects; Active Directory Group Policy Objects
- C. Citrix Studio; Local Policies
- D. Active Directory Group Policy Objects; Workspace Environment Manager
- E. Citrix Studio; Active Directory Group Policy Objects

Correct Answer: E

QUESTION 6

Scenario: While assessing the User Layer, a Citrix Architect finds that most of the internal users connect using corporate-owned laptops, desktop devices, and thin clients. Many of these laptops and desktop devices are running Windows 10, while the remainder of the machines are running Windows 7 and are in the process of being migrated to Windows 10. Some users also connect using personal devices which have Receiver Desktop Lock installed.

Currently, Citrix Receiver is manually installed on any endpoint device added to the company. All these devices use Citrix Receiver version 4.8 and above. The IT team is planning to automate a process to update all the devices with the latest version of Citrix Receiver and to automate another process for automatic installation of Citrix Receiver without incurring extra costs and maintenance.

During the initial testing of the Citrix Receiver Auto-Update feature, the architect observed that the Citrix Receiver Auto-Update feature does NOT work on some of the machines.

Which two reasons could be causing this issue? (Choose two.)

- A. Citrix Receiver was locally installed with administrator-level privileges.
- B. The Group Policy Object for Receiver Auto-Update feature is incorrectly configured in Active Directory.
- C. Citrix Receiver Auto-Update is disabled on machines where Receiver Desktop Lock is installed.
- D. The Citrix Receiver Auto-Update feature needs to be configured before Receiver Desktop Lock is configured.

Correct Answer: BC

QUESTION 7

Scenario: A Citrix Architect is using Radius and LDAP as dual-factor authentication. The architect is migrating to Citrix Cloud and wants to retain the same authentication procedure for XenApp and XenDesktop service in Citrix Cloud.

Which deployment strategy should the architect use for Citrix ADC and StoreFront to ensure that the solution complies with the existing security policies of the company without incurring additional costs?

- A. Use Citrix Cloud Gateway service and on-premises StoreFront.
- B. Set up a new Citrix ADC VPX instance and StoreFront on-premises.
- C. Use Citrix Cloud Gateway service and Citrix Cloud Workspace.
- D. Set up Citrix ADC with bring-your-own license (BYOL) and StoreFront in a public cloud.

Correct Answer: C

QUESTION 8

As part of an application analysis performed earlier in the project, the information in the Exhibit was collected regarding one of the required applications.

Click the Exhibit button to view the information.

Category	Detail
Application Name	Workspace PDF
Description	Application that can be used to view, create, edit, and publish PDFs
Usage	The application is used throughout the organization.
OS Compatibility	The application is compatible with the target operating systems.
Special Considerations	The application uses a Windows service to print PDFs and another to convert PDF files to and from other file formats. The application includes shell extensions that are integral to the user workflow.

Additionally, the customer has the following objectives:

1. Minimize the time required to perform application patches and updates

2.

Each department should have a dedicated image that is NOT accessible to other departments

3.

Each departmental image should only include the applications required by that department How should the architect install the application?

- A. Directly on endpoint devices and included in a virtual desktop session using the Local App Access feature
- B. On an Application Layer using Citrix App Layering, be included in a layered image, and accessed through a virtual desktop session
- C. Directly on a Server OS VDA machine and accessed from the endpoint as a published application
- D. Stream it to a VDA machine using Microsoft App-V and accessed through a virtual desktop session
- E. On an Application Layer using Citrix App Layering then be presented to assigned users as an Elastic Layer during a virtual desktop session

Correct Answer: C

QUESTION 9

Scenario: A Citrix Architect is designing an environment for a large company. The company has identified the following user groups and requirements.

Product Managers - Typically, they work from inside the company network but are able to work from home.

They need to use a variety of standard productivity and web-based SaaS applications.

Field Sales Engineers - They frequently work with mobile devices and tend to access the environment externally. They need access to sales tools and the front-end of the customer database.

Web Developers - Internal and remote workers who use specialized hardware with a graphics card to handle resource-intensive applications.

Which FlexCast model should the architect assign to Field Sales Engineers?

- A. Published Apps
- B. Hosted Applications
- C. Hosted VDI
- D. Published Desktops

Correct Answer: B

QUESTION 10

Scenario: A Citrix Architect needs to design a new XenApp and XenDesktop environment. While designing Universal Print server (UPS) for the customer, the architect is asked to ensure that the UPS design can handle 500 simultaneous print jobs per minute.

What must the architect deploy to support the load estimated by the customer?

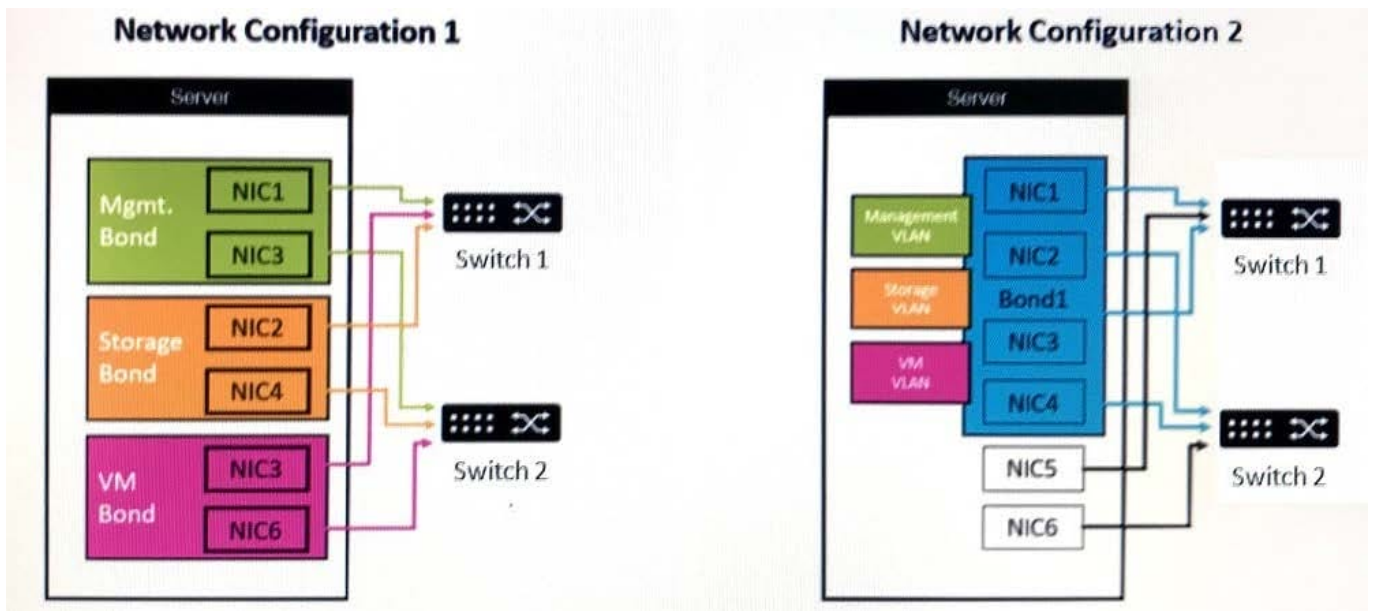
- A. Two UPS servers and configure UPS for load balancing policy
- B. Ten UPS servers and configure UPS for load balancing policy
- C. Five UPS servers and configure NetScaler load balancing
- D. Two UPS servers and configure NetScaler load balancing
- E. Five UPS servers and configure UPS for load balancing policy
- F. Ten UPS servers and configure NetScaler load balancing

Correct Answer: E

QUESTION 11

Scenario: A Citrix Architect is performing a XenApp and XenDesktop design. During a discussion with the server hardware team, two potential network configurations are proposed for the XenServer hosts.

Click the Exhibit button to view the network configurations.



Which statement will support a decision to use Network Configuration 2?

- A. It will ensure that virtual machine workloads do NOT interfere with each other.
- B. It will provide greater security for all traffic types.

- C. It will achieve a higher level of redundancy for the different traffic types.
- D. It will reserve more bandwidth for virtual machine traffic.

Correct Answer: C

QUESTION 12

Scenario: At a consumer goods company, a XenApp 6.5 environment is hosted on XenServer 6.5. The IT team is migrating to XenApp and Desktop service on Citrix Cloud. Server OS machines will be hosted on-premises and Desktop OS machines will be hosted on Microsoft Azure.

Which Citrix Smart Tool can reduce the cost of running XenApp and XenDesktop in public clouds?

- A. Smart Check
- B. Smart Migrate
- C. Smart Build
- D. Smart Scale

Correct Answer: D

QUESTION 13

Scenario: A Citrix Architect needs to design a disaster recovery (DR) XenApp and XenDesktop Site that will be hosted in Citrix Cloud and Microsoft Azure. The DR Site is expected to support 2,000 Desktop OS Virtual Delivery Agent (VDA) machines.

The architect should include _____ Cloud Connectors in the Azure resource location, each with a minimum of _____ vCPUs and _____ GB of RAM to avoid unnecessary over-provisioning of resources and follow Citrix leading practices. (Choose the correct option to complete the sentence.)

- A. 3; 2; 4
- B. 3; 4; 4
- C. 3; 4; 8
- D. 2; 4; 4
- E. 1; 2; 4
- F. 2; 4; 8

Correct Answer: F

QUESTION 14

Scenario: A Citrix Architect needs to implement XenDesktop in an environment. The Customer Service team processes

credit card information in Web applications. A Payment Card Industry (PCI) audit determines that processes that can run on a Virtual Delivery Agent (VDA) machine are controlled through the use of whitelisting.

Which method would be an appropriate fit for the environment, based on the requirements?

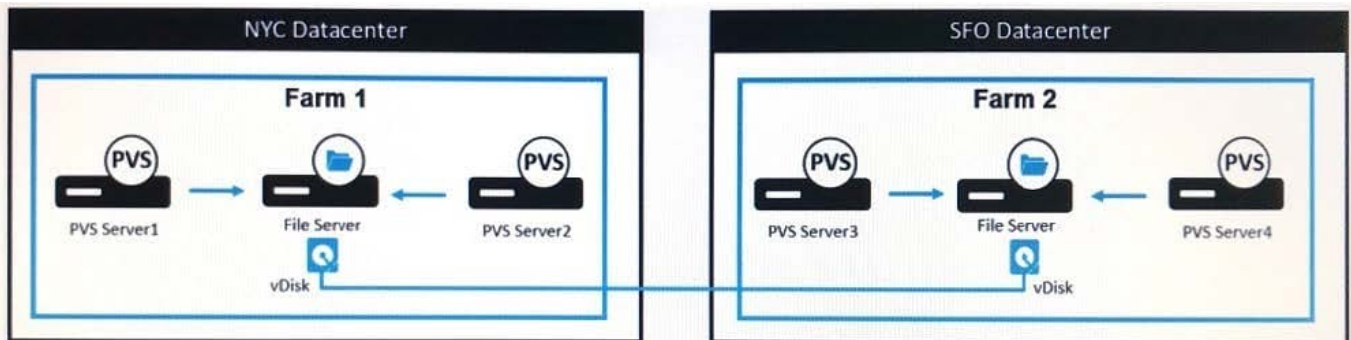
- A. Citrix Secure Browser
- B. NTFS Permissions
- C. Microsoft App-V
- D. Citrix Workspace Environment Management

Correct Answer: D

QUESTION 15

Scenario: A Citrix Architect needs to design a multi-datacenter XenApp and XenDesktop environment that will use Provisioning Services (PVS) to manage Virtual Delivery Agent (VDA) machine images. Each datacenter will have a separate Provisioning Services farm. During the design discussions, the architect creates a diagram to depict the way vDisk files will be replicated between PVS farms, based on the available storage for the vDisk Stores.

Click the Exhibit button to view the diagram.



Overall, the customer has identified the following objectives for the image replication process:

Minimize the administrative time required to replicate images between farms
 Must be usable by PVS farm administrators based on native tools
 Minimize network traffic between datacenters

Which method should the architect use to replicate the vDisk files between datacenters?

- A. SAN replication
- B. Scheduled robocopy commands
- C. Microsoft DFS-R
- D. vDisk Replicator Tool
- E. Manual copy

Correct Answer: D

[Latest 1Y0-402 Dumps](#)

[1Y0-402 Exam Questions](#)

[1Y0-402 Braindumps](#)