

# 050-696<sup>Q&As</sup>

Foundations of Novell Open Enterprise Server NetWare

## Pass Novell 050-696 Exam with 100% Guarantee

Free Download Real Questions & Answers **PDF** and **VCE** file from:

<https://www.certbus.com/050-696.html>

100% Passing Guarantee  
100% Money Back Assurance

Following Questions and Answers are all new published by Novell  
Official Exam Center

-  **Instant Download** After Purchase
-  **100% Money Back** Guarantee
-  **365 Days** Free Update
-  **800,000+** Satisfied Customers



### QUESTION 1

Which directories does Novell recommend you implement to organize your NetWare server's file system? (Choose 3.)

- A. Shared directories.
- B. ZENworks profile directories.
- C. iFolder data directories on SYS.
- D. An iPrint spooling directory on SYS.
- E. User home directories on a volume other than SYS.
- F. A directory named ETC in each user's home directory for configuration files.

Correct Answer: ABE

---

### QUESTION 2

You have several OES NetWare servers in your server room. You want to disable the SOUND BELL FOR ALERTS parameter to eliminate excessive beeps. Which command would you use to do this?

- A. SOUND BELL FOR ALERTS = OFF
- B. DISABLE SOUND BELL FOR ALERTS
- C. SET SOUND BELL FOR ALERTS = OFF
- D. SOUND BELL FOR ALERTS = DISABLED
- E. SET SOUND BELL FOR ALERTS = DISABLED

Correct Answer: C

---

### QUESTION 3

Which eDirectory object is used to define a position within an eDirectory tree where the user who will occupy the position may change, but the responsibilities of the position itself do not?

- A. User
- B. Group
- C. Profile
- D. Template

E. Organization

F. Organizational Role

Correct Answer: F

---

#### QUESTION 4

You've just created an NSS volume on your OES NetWare server named SHARED. Your server name is WIDGET1. What name will be automatically assigned to the object for this volume in the eDirectory tree?

A. SHARED

B. WIDGET1\_SHARED

C. WIDGET1~SHARED

D. WIDGET1#SHARED

E. WIDGET1-SHARED

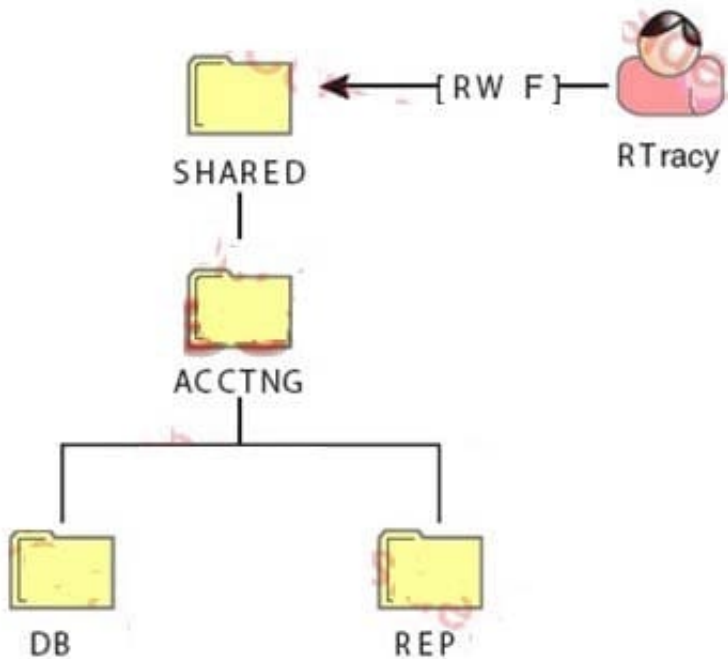
F. NSS volumes aren't represented by eDirectory objects.

Correct Answer: B

---

#### QUESTION 5

Click the Exhibit button to begin.



The RTracy user object has been granted the file system rights shown in the exhibit to the SHARED directory on the DATA volume. What rights does RTracy have to the SHARED\ACCTNG\REP directory?

- A. No rights
- B. Supervisor
- C. Read and File Scan
- D. Write and File Scan
- E. Read, Write, and File Scan
- F. Read, Write, File Scan, and Access Control

Correct Answer: E

#### QUESTION 6

Which eDirectory component represents logical or physical network resources?

- A. DIB
- B. Object
- C. Schema

D. Replica

E. Partition

Correct Answer: B

---

#### QUESTION 7

One of your clients owns a company that runs three shifts of employees each day. To save money, the client has purchased only enough workstations for a single shift of employees. Each employee shares his or her computer with two other employees who work different shifts. The client has a very high employee turn-over rate. The average employee only works there for 6-9 months. Based on this information, which of the following security policies should you consider implementing? (Choose 2.)

A. Force periodic password changes.

B. Use a volume other than SYS for home directories.

C. Restrict user logins times to the user's shift hours.

D. Avoid assigning rights through the All Properties option.

E. Assign file attributes in addition to file trustee assignments.

Correct Answer: AC

---

#### QUESTION 8

Which server console command will display an OES NetWare server's IP address?

A. IPCFG

B. CONFIG

C. IPCONFIG

D. WINIPCFG

E. TCPCONFIG

Correct Answer: B

---

#### QUESTION 9

Which object right allows a trustee to remove an object from the eDirectory tree?

- A. Erase
- B. Modify
- C. Delete
- D. Rename
- E. Remove
- F. Edit

Correct Answer: C

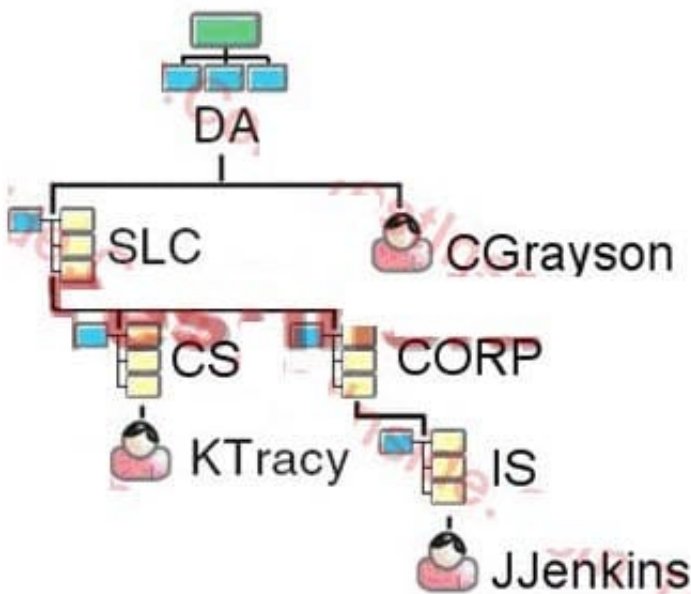
**QUESTION 10**

Every directory and file in the OES NetWare server file system has a(n) \_\_\_\_\_ that specifies the eDirectory objects that are trustees of the file or directory and what rights they have to it.

Correct Answer: Control List

**QUESTION 11**

Click the Exhibit button to begin.



Your current context is .CORP.SLC. D

- A. What is the relative distinguished name of the Jjenkins user object?
- B. Jjenkins
- C. Jjenkins.IS
- D. IS.Jjenkins
- E. Jjenkins.IS.CORP
- F. CORP.IS.Jjenkins
- G. Jjenkins.IS.CORP.SLC
- H. Jjenkins.IS.CORP.SLC. DA

Correct Answer: B

---

#### QUESTION 12

You're implementing a network for your company from scratch. You've just completed installing the CAT-5 wiring, RJ-45 jacks, and Fast Ethernet switches that will service your network. During the installation of OES NetWare, the only system connected to the network is the server you are performing the installation on. As you have decided to use the IPX protocol on your network, what frame type will be bound, by default, to your server's network board by the installation program?

- A. 802.2
- B. 802.3
- C. 802.5
- D. Ethernet\_II
- E. Ethernet\_SNAP

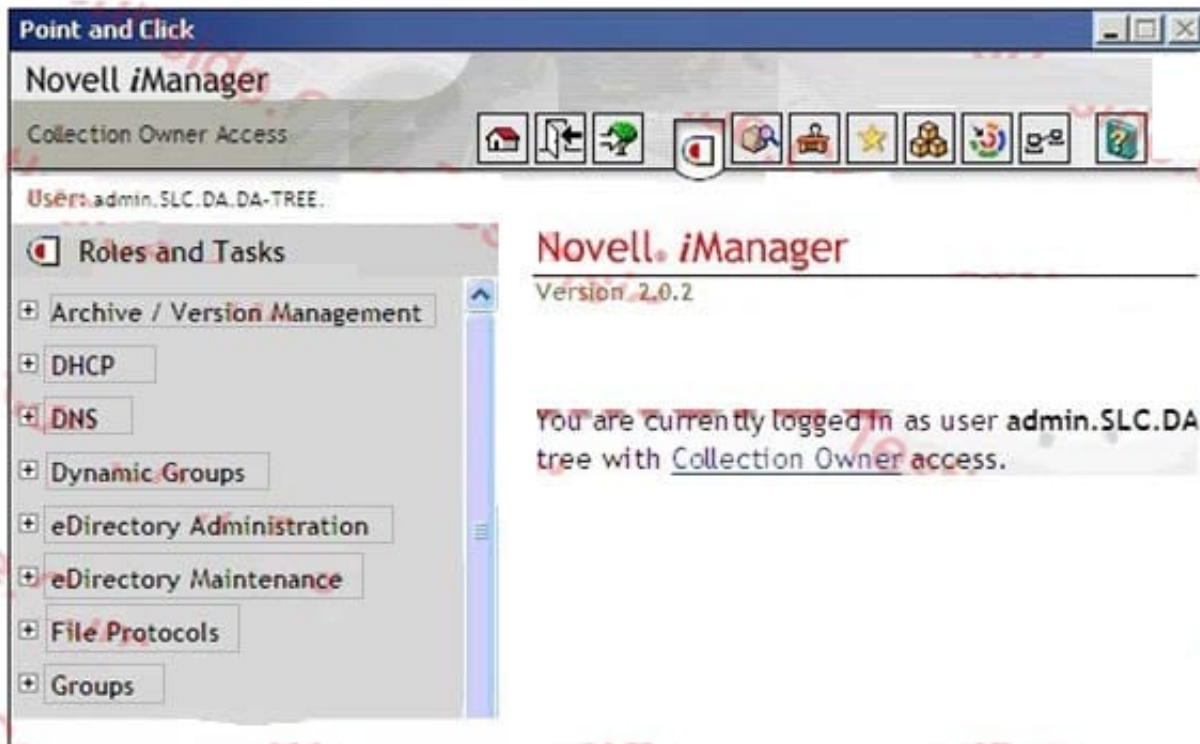
Correct Answer: A

---

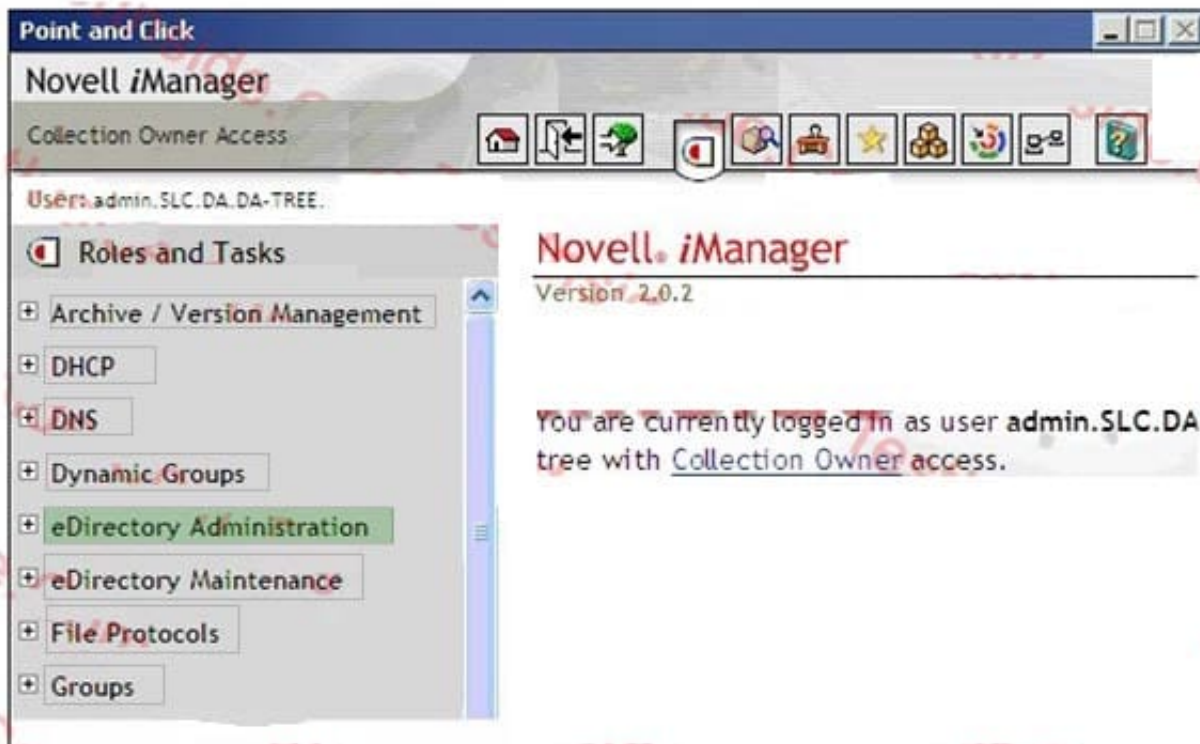
#### QUESTION 13

Click on the option in iManager you would use to create a new user object.

Hot Area:



Correct Answer:





#### QUESTION 14

Your organization has hired an additional network administrator to manage user accounts in your eDirectory tree. She won't be allowed to perform any other administration tasks. You need to configure a custom iManager role for her. Click the iManager option you would use to do this.

Correct Answer: Deskicon

---

#### QUESTION 15

Which network protocols can be used by the Novell Client to communicate with an OES NetWare server? (Choose 2.)

- A. IP
- B. IPX
- C. AFP
- D. ICMP
- E. NetBEUI
- F. Server Message Blocks

Correct Answer: AB

[050-696 PDF Dumps](#)

[050-696 VCE Dumps](#)

[050-696 Exam Questions](#)